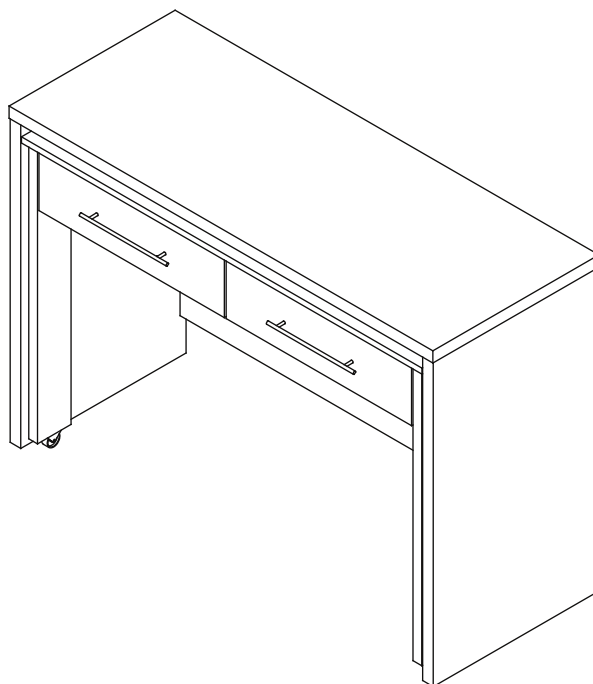


WHITE GLOSS SEVILLE 2 DRAWER SLIDER DESK ASSEMBLY INSTRUCTIONS



FOR DOMESTIC USE ONLY
IMPORTANT

PLEASE READ BEFORE YOU CONTINUE FURTHER

THE PRODUCT YOU HAVE PURCHASED WILL GIVE YOU MANY YEARS OF SERVICE IF YOU FOLLOW THE GUIDELINES FOR ITS SAFE ASSEMBLY AND PERIODIC MAINTENANCE AND CLEANING.

ASSEMBLE ON A SOFT CLEAN SURFACE.

DO NOT USE ANY TOOLS OTHER THAN THOSE SHOWN.

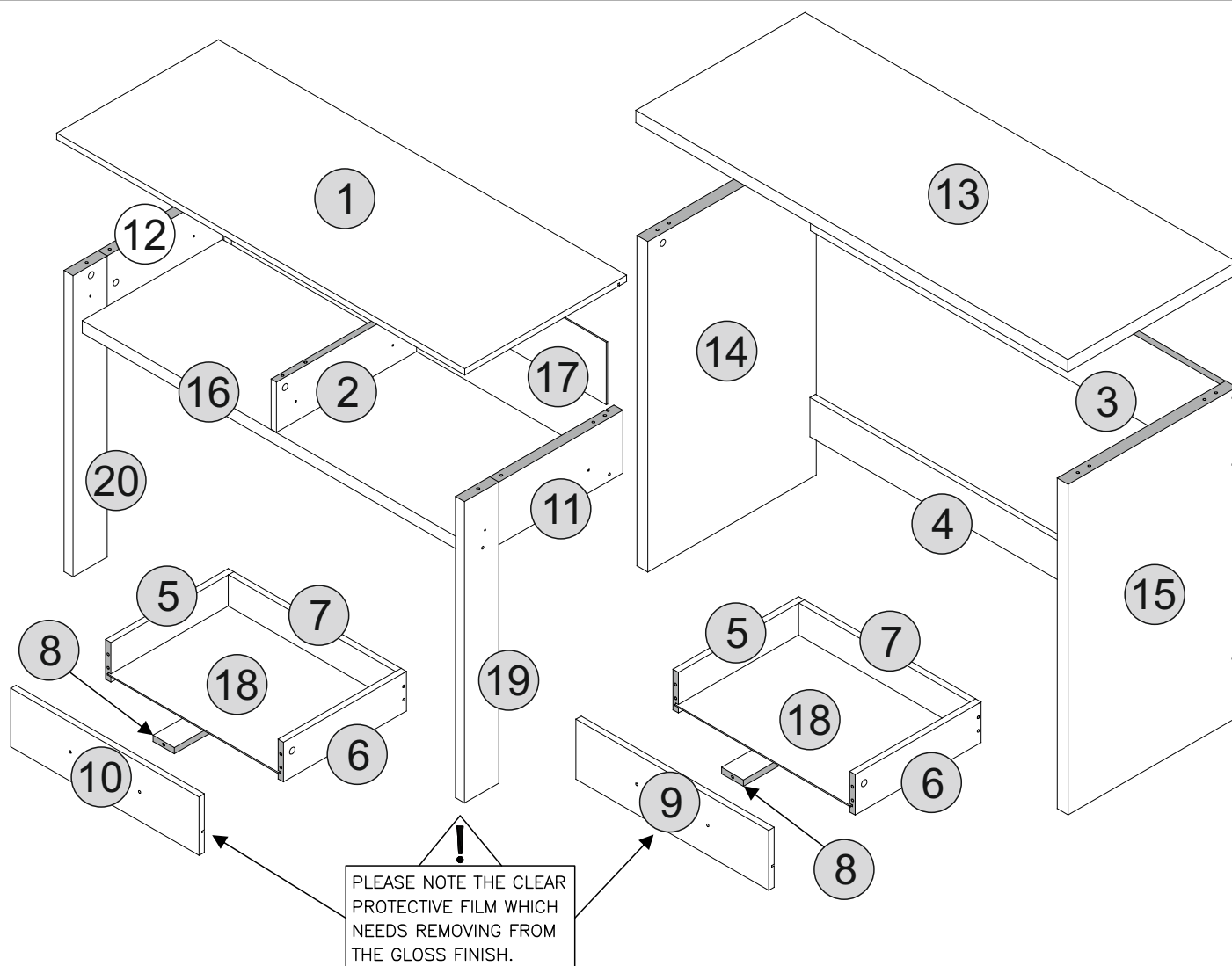
ANY SPANNERS OR ALLEN KEYS REQUIRED ARE INCLUDED WITH THE FITTING KIT.

DO NOT FOR ANY REASON USE A POWER TOOL TO ASSEMBLE THIS PRODUCT. ITS USE WILL INVALIDATE ANY CLAIM YOU MAY HAVE AND COULD MAKE THIS PRODUCT UNSAFE.

DEPENDING ON THE AMOUNT OF USE THIS PRODUCT RECEIVES, IT MAY BE NECESSARY TO TIGHTEN UP THE FIXINGS FROM TIME TO TIME. THIS IS COMPLETELY NORMAL FOR ANY FLAT PACK FURNITURE. DO NOT OVERTIGHTEN FIXINGS.

FOR CLEANING, YOU MAY USE A DAMP CLOTH (NOT WET). DO NOT USE POLISH, DETERGENT OR CHEMICAL CLEANERS.

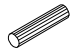


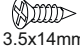






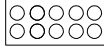
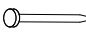



THIS SURFACE OF THIS ITEM IS NOT HEAT RESISTANT. ALWAYS USE A PLACE MAT UNDER HOT OR COLD ITEMS TO PREVENT MARKING.



PART LIST

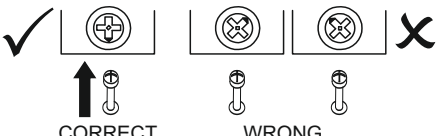
Part Number	Part Code	Part Description	Quantity	Carton
1	S500-501-013-ZF1-01	Top Panel (Drawer)	1	1/2
2	S500-501-013-ZF1-02	Centre Support Panel	1	1/2
3	S500-501-013-ZF1-03	Back Top Crossbar	1	1/2
4	S500-501-013-ZF1-04	Back Bottom Crossbar	1	1/2
5	S500-501-013-ZF1-05	Left Drawer Side	2	2/2
6	S500-501-013-ZF1-06	Right Drawer Side	2	2/2
7	S500-501-013-ZF1-07	Drawer Back	2	2/2
8	S500-501-013-ZF1-08	Drawer Support	2	1/2
9	S500-501-013-ZF1-09	Right Drawer Front	1	1/2
10	S500-501-013-ZF1-10	Left Drawer Front	1	1/2
11	S500-501-013-ZF1-11	Right Side Panel	1	2/2
12	S500-501-013-ZF1-12	Left Side Panel	1	2/2
13	S500-501-013-ZF1-13	Top Panel	1	1/2
14	S500-501-013-ZF1-14	Left Side Panel	1	2/2
15	S500-501-013-ZF1-15	Right Side Panel	1	2/2
16	S500-501-013-ZF1-16	Shelf Panel	1	1/2
17	S500-501-013-ZF1-17	Back Panel	1	1/2
18	S500-501-013-ZF1-18	Drawer Base	2	2/2
19	S500-501-013-ZF1-19	Right Panel	1	2/2
20	S500-501-013-ZF1-20	Left Panel	1	2/2

HARDWARE LIST

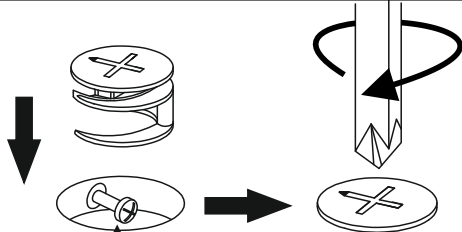
No.	Part Name		Qty
A	Wooden Dowel (6x25mm)		x33
B	65mm Screw (4x65mm)		x12
C	38mm Screw (4x38mm)		x10
D	14mm Screw (3.5x14mm)		x28
E	Cam Bolt (8032T)		x18
F	Cam Nut (1512)		x18
G	10" Handle (192mm)		x2
H	20mm Handle Screw		x4
I	14" Drawer Slide		x2set
J	Extension Drawer Slide (35x390mm)		x1set
K	Screw Cover (Sticker 12mm)		x10
L	6/8" Nail		x15
M	Plastic Foot		x4
N	Wall Fixing (4x20mm=1pc)		x1
O	Nylon Castor (Vk25 - Stop)		x2

TIPS FOR FITTINGS CAM-LOCKS

WHEN FITTING CAM NUT. ENSURE STARTING POSITION IS CORRECT BEFORE YOU INSERT CONNECTING CAM BOLT TURN CLOCKWISE UNTIL SECURE



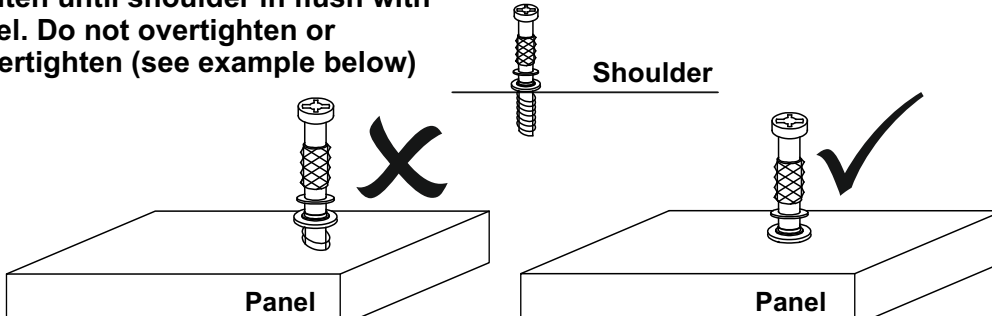
CORRECT **WRONG**



Cam bolt head needs to be in centre

CAMBOLT

Tighten until shoulder in flush with panel. Do not overtighten or undertighten (see example below)



Panel **Panel**

Shoulder


STEP 1

PARTS REQUIRED

14 - LEFT SIDE PANEL x1

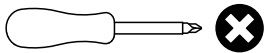
15 - RIGHT SIDE PANEL x1

HARDWARE REQUIRED

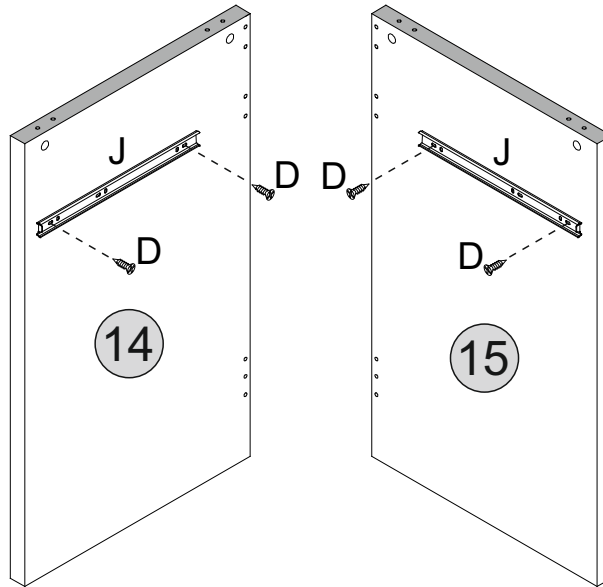
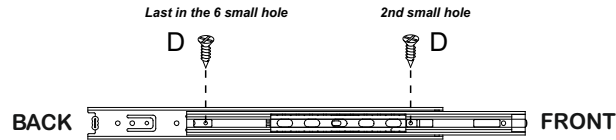
D  04
3.5x14mm

J  01

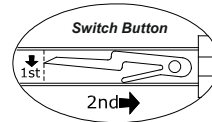
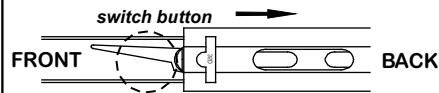
TOOLS REQUIRED



To Assembly the three part drawer slide, please follow the steps below



Detach 3rd Part of the drawer runner using the catch




STEP 2

PARTS REQUIRED

14 - LEFT SIDE PANEL x1

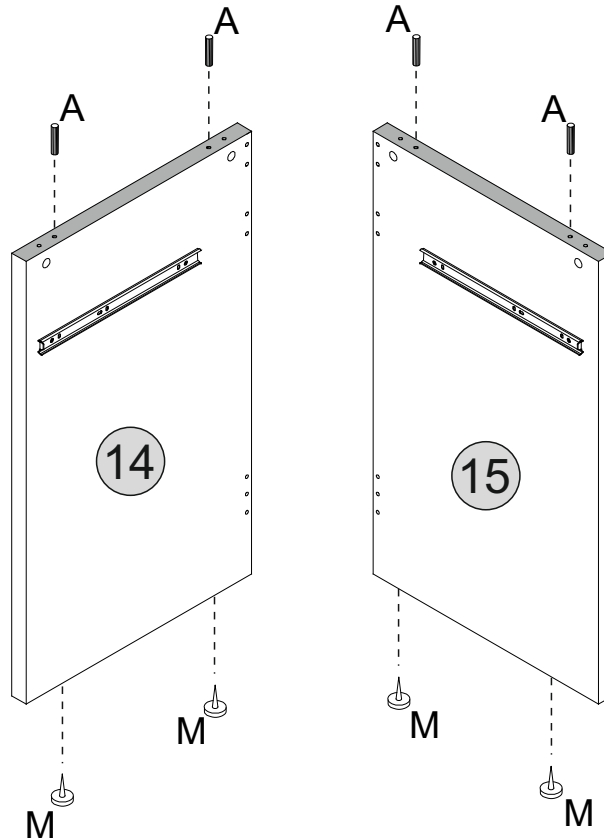
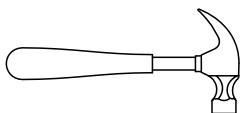
15 - RIGHT SIDE PANEL x1

HARDWARE REQUIRED

A  04

M  04

TOOLS REQUIRED



STEP 3


PARTS REQUIRED

3 - BACK TOP CROSSBAR x1

4 - BACK BOTTOM CROSSBAR x1

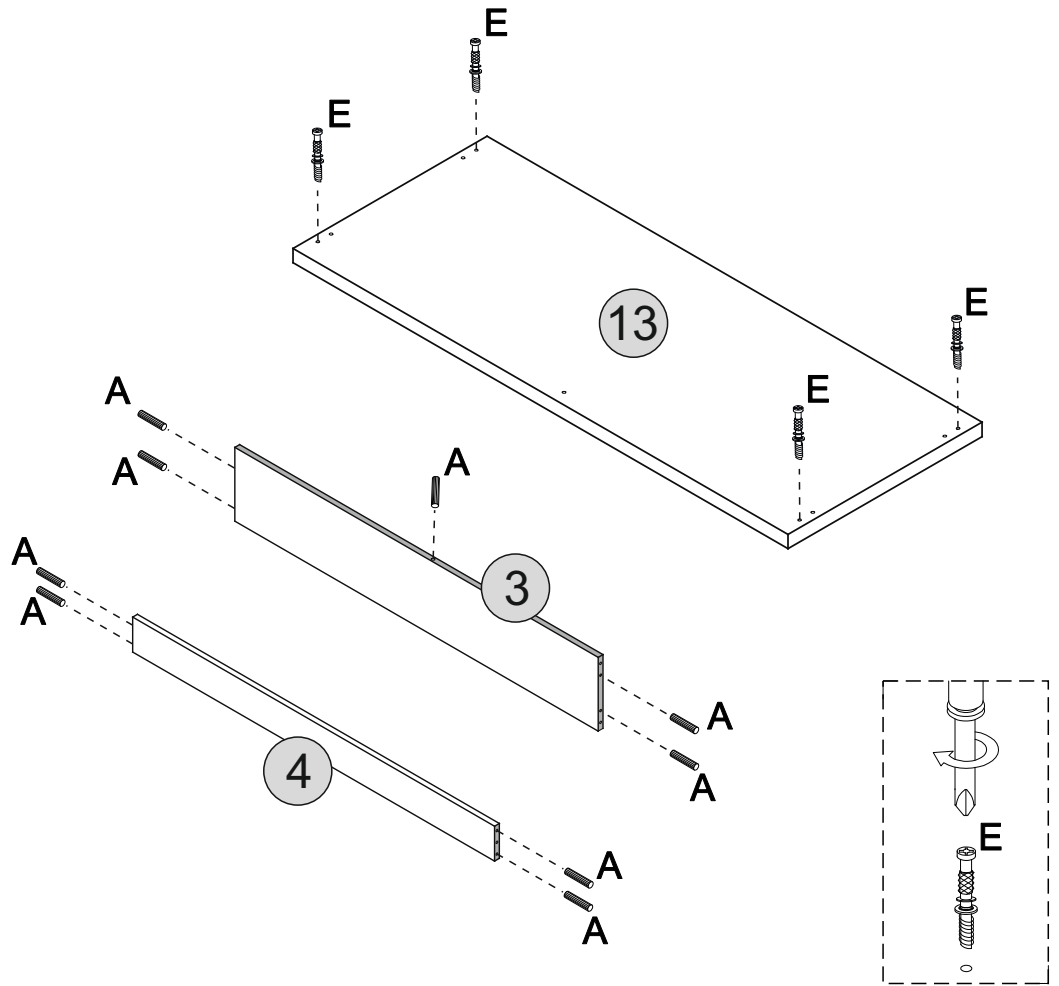
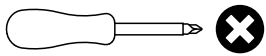
13 - TOP PANEL x1

HARDWARE REQUIRED

A  09

E  04

TOOLS REQUIRED



STEP 4

PARTS REQUIRED

3 - BACK TOP CROSSBAR x1

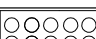
4 - BACK BOTTOM CROSSBAR x1

14 - LEFT SIDE PANEL x1

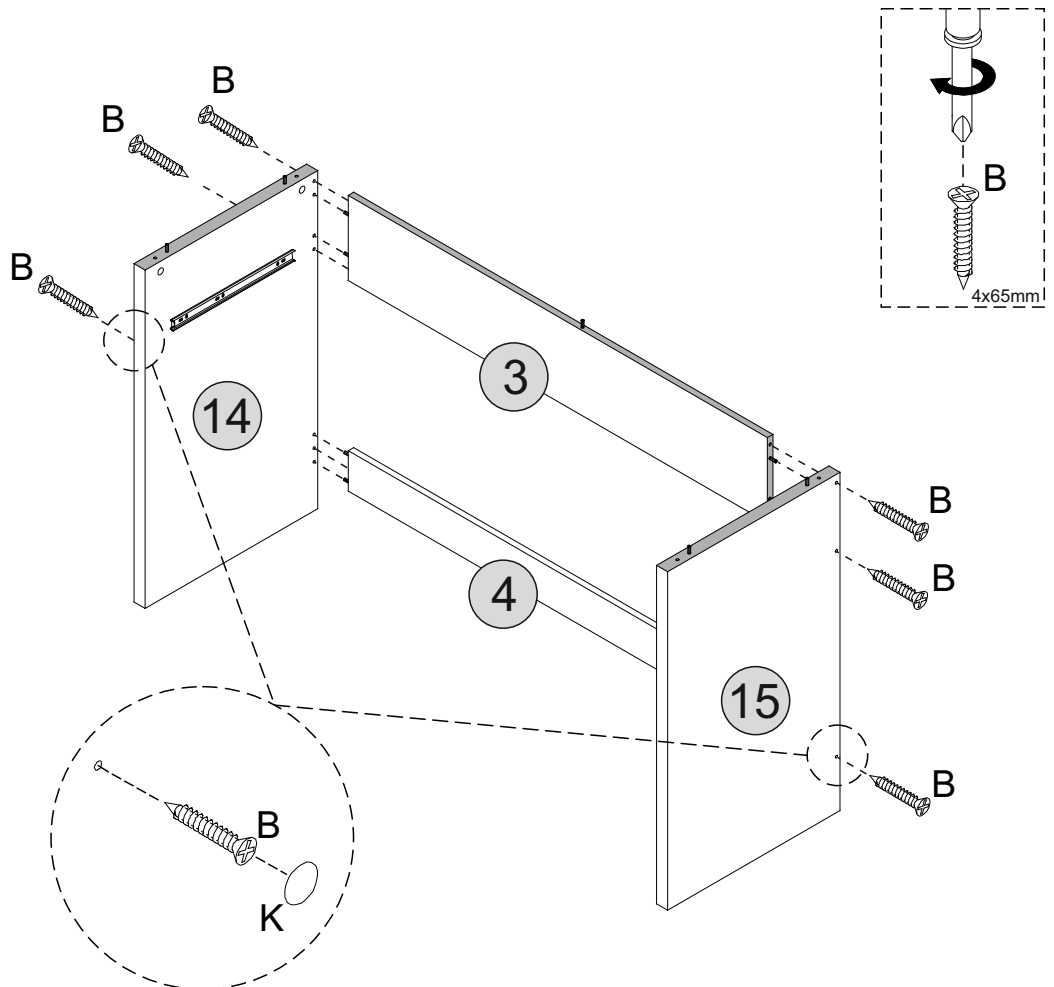
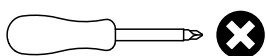
15 - RIGHT SIDE PANEL x1

HARDWARE REQUIRED

B  06

K  06

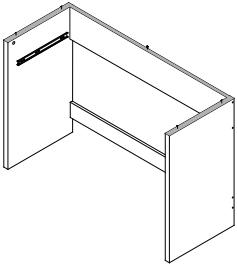
TOOLS REQUIRED



STEP 5

PARTS REQUIRED

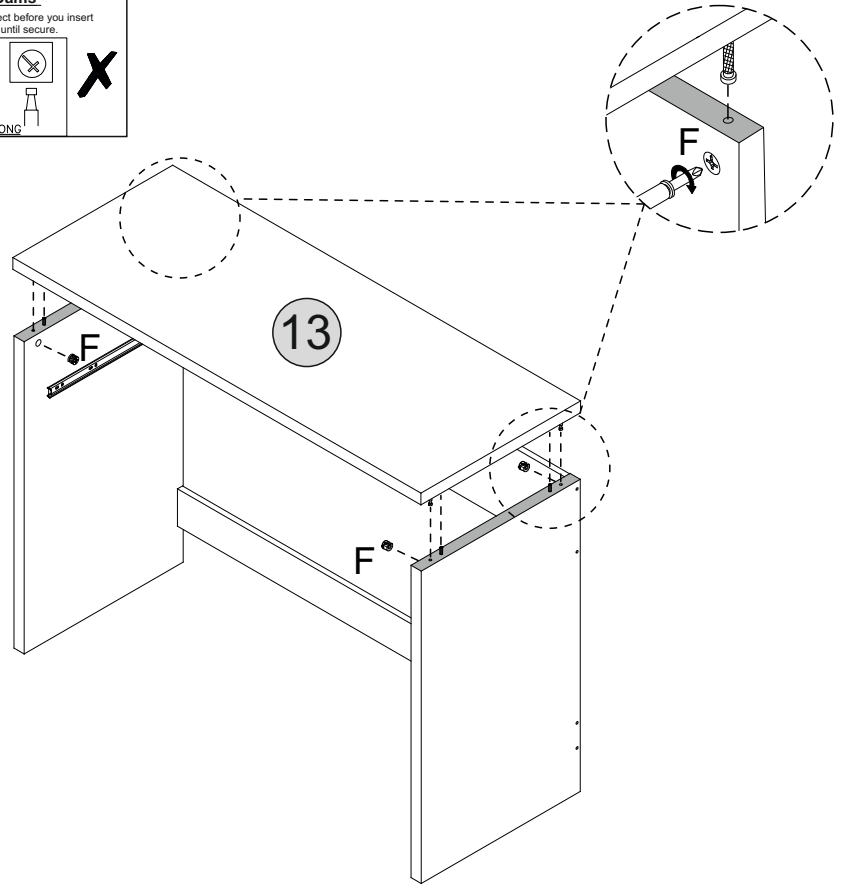
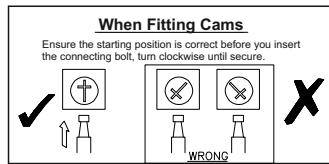
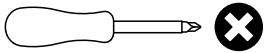
13 - TOP PANEL (DRAWER) x1



HARDWARE REQUIRED

F  04

TOOLS REQUIRED



STEP 6

PARTS REQUIRED

11 - RIGHT SIDE PANEL x1

12 - LEFT SIDE PANEL x1

19 - RIGHT PANEL x1

20 - LEFT PANEL x1

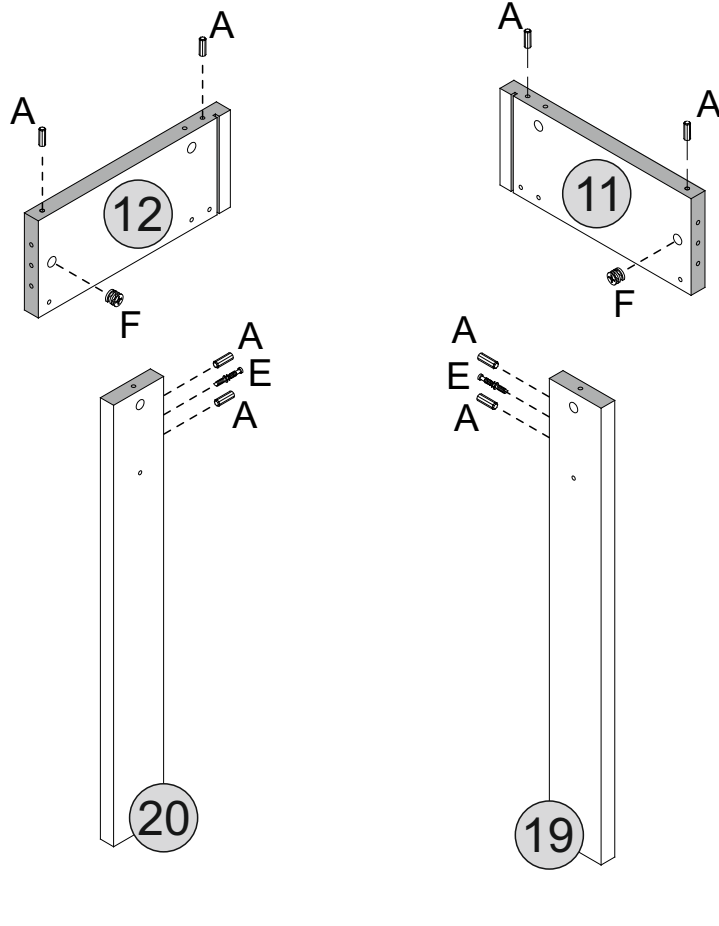
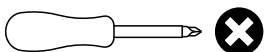
HARDWARE REQUIRED

A  08

E  02

F  02

TOOLS REQUIRED



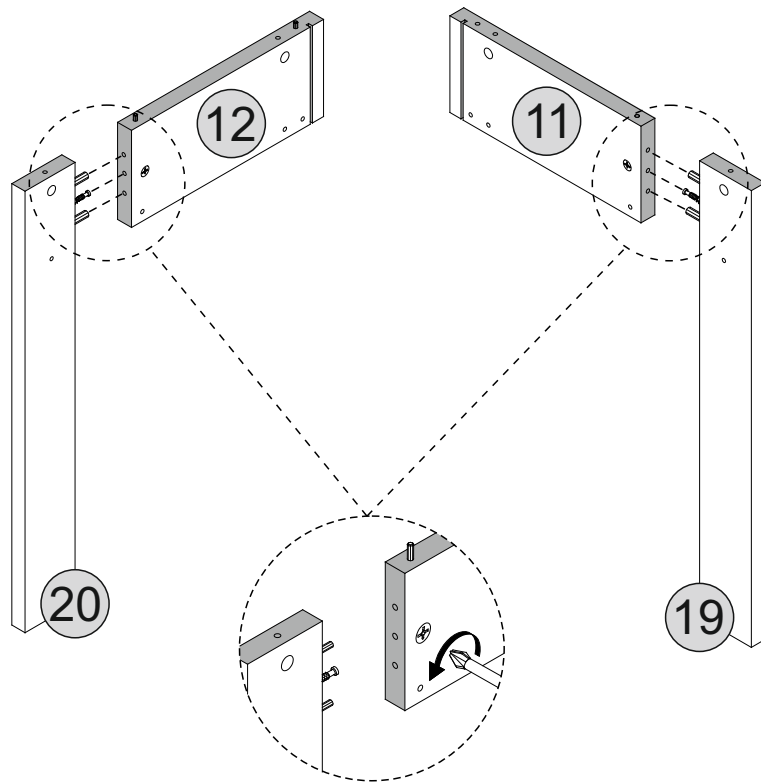
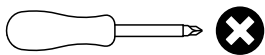
STEP 7

PARTS REQUIRED

11 - RIGHT SIDE PANEL	x1
12 - LEFT SIDE PANEL	x1
19 - RIGHT PANEL	x1
20 - LEFT PANEL	x1

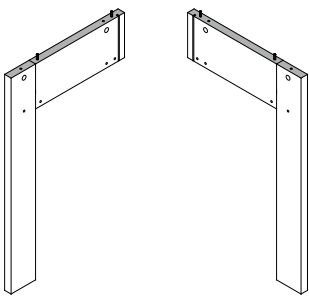
HARDWARE REQUIRED

TOOLS REQUIRED

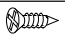
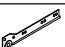


STEP 8

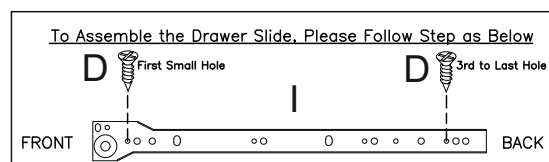
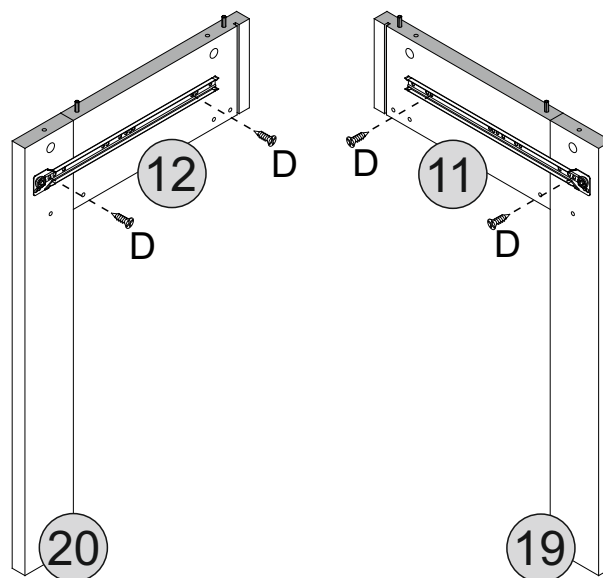
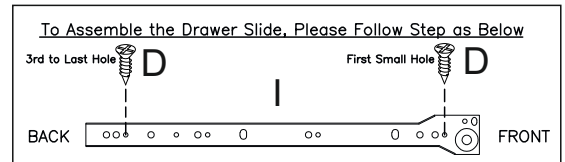
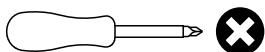
PARTS REQUIRED



HARDWARE REQUIRED

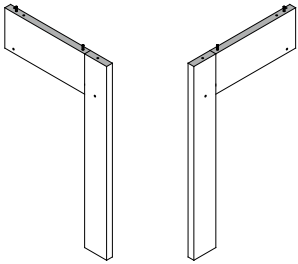
D	 3.5x14mm	04
I		02

TOOLS REQUIRED



STEP 9

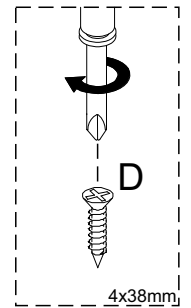
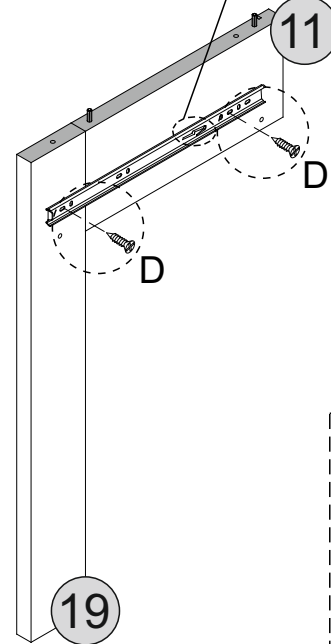
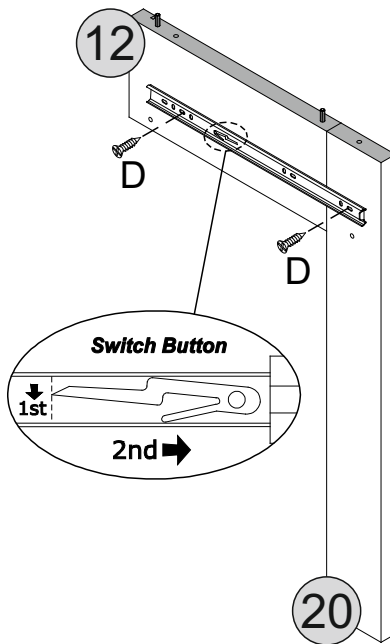
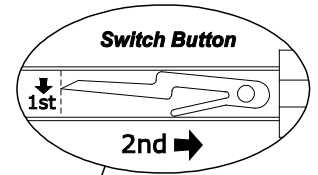
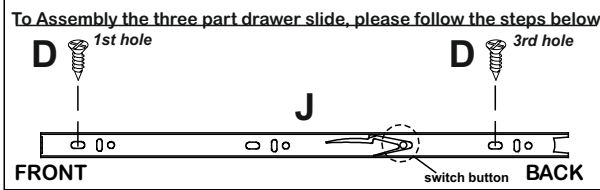
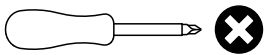
PARTS REQUIRED



HARDWARE REQUIRED



TOOLS REQUIRED

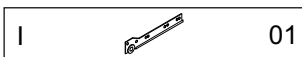
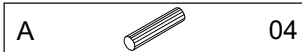


STEP 10

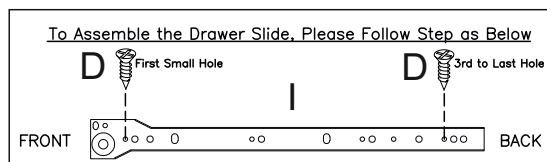
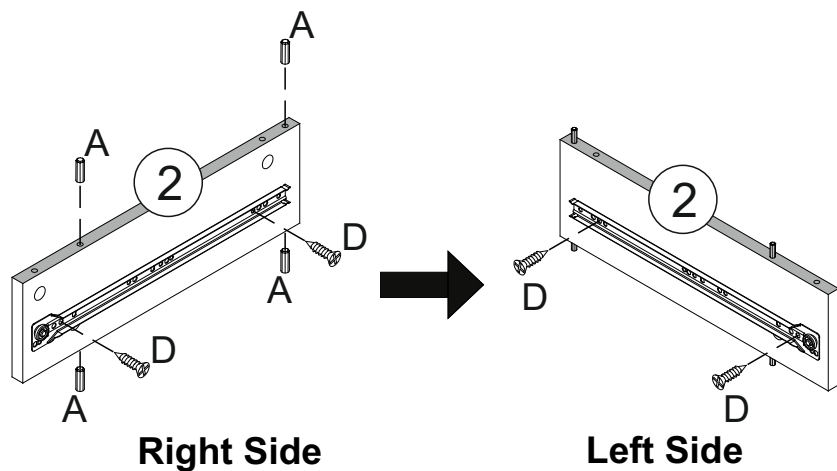
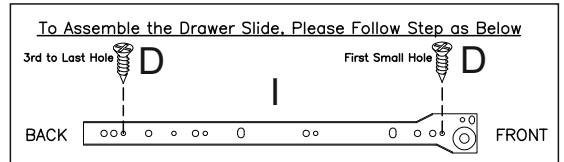
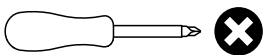
PARTS REQUIRED

2 - CENTRE SUPPORT PANEL x1

HARDWARE REQUIRED



TOOLS REQUIRED



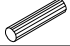
STEP 11

PARTS REQUIRED

2 - CENTRE SUPPORT PANEL x1

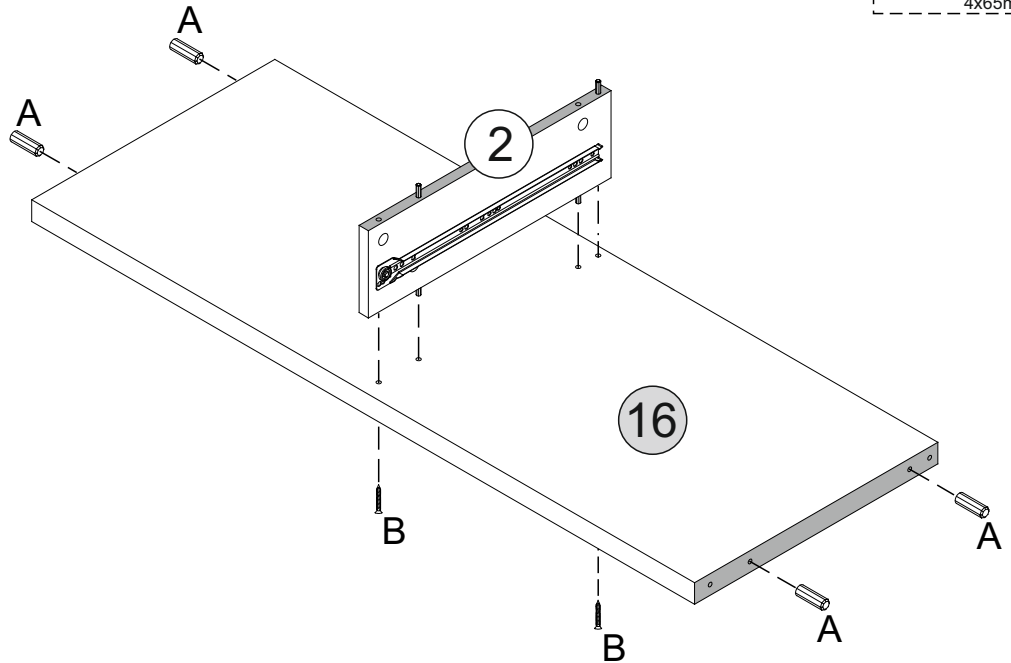
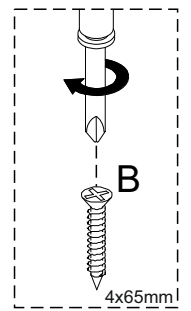
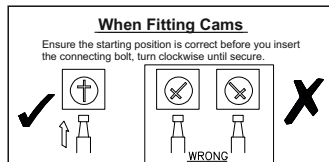
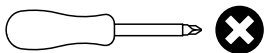
16 - SHELF PANEL x1

HARDWARE REQUIRED

A  04

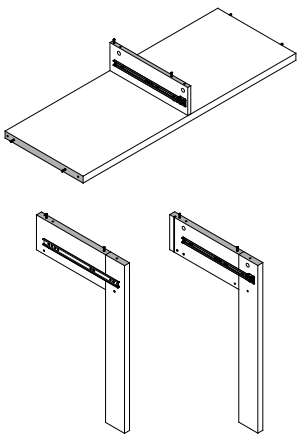
B  02

TOOLS REQUIRED





STEP 12

PARTS REQUIRED

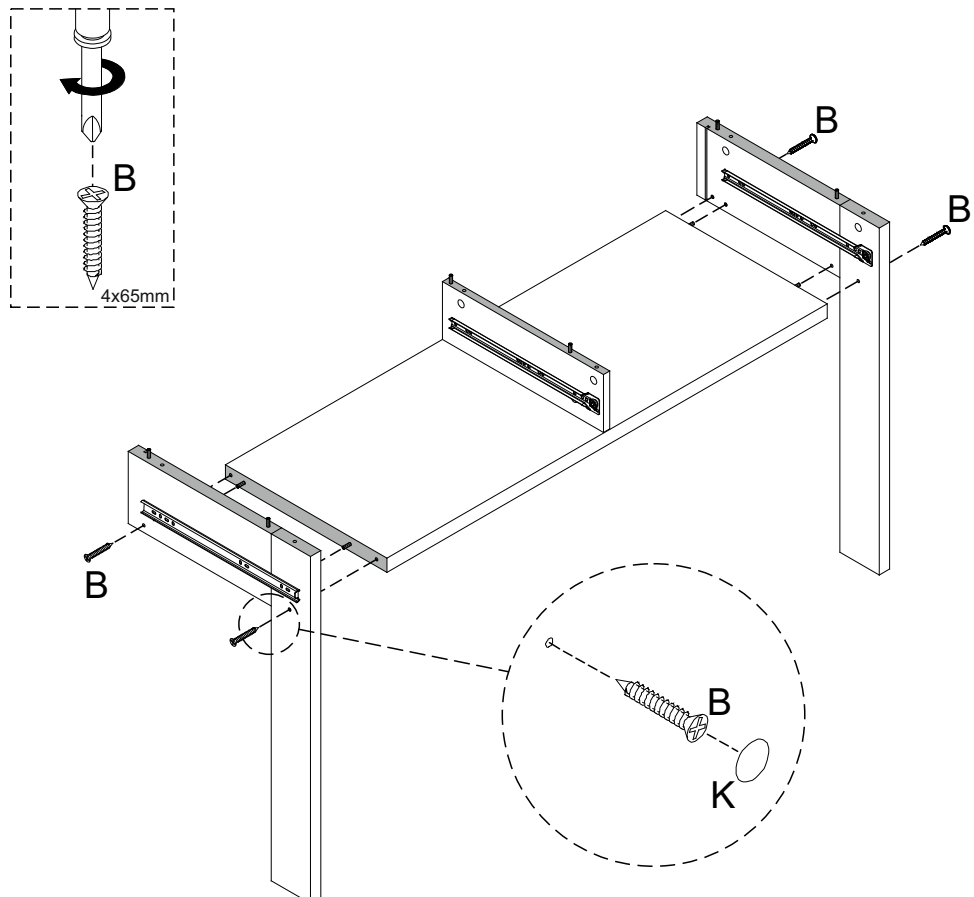
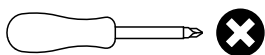


HARDWARE REQUIRED

B  04

K  04

TOOLS REQUIRED




STEP 13

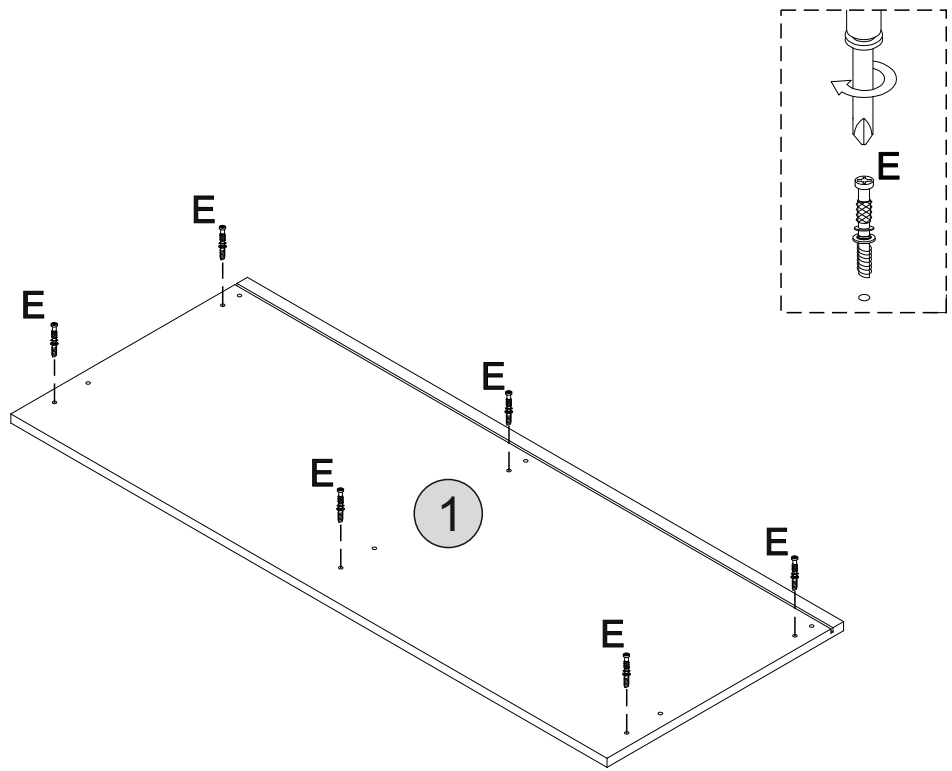
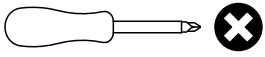
PARTS REQUIRED

1 - TOP PANEL(DRAWER) x1

HARDWARE REQUIRED

E  06

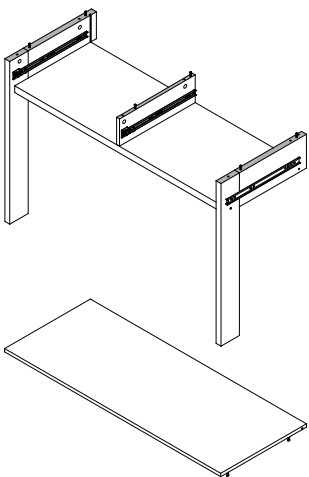
TOOLS REQUIRED



STEP 14

PARTS REQUIRED

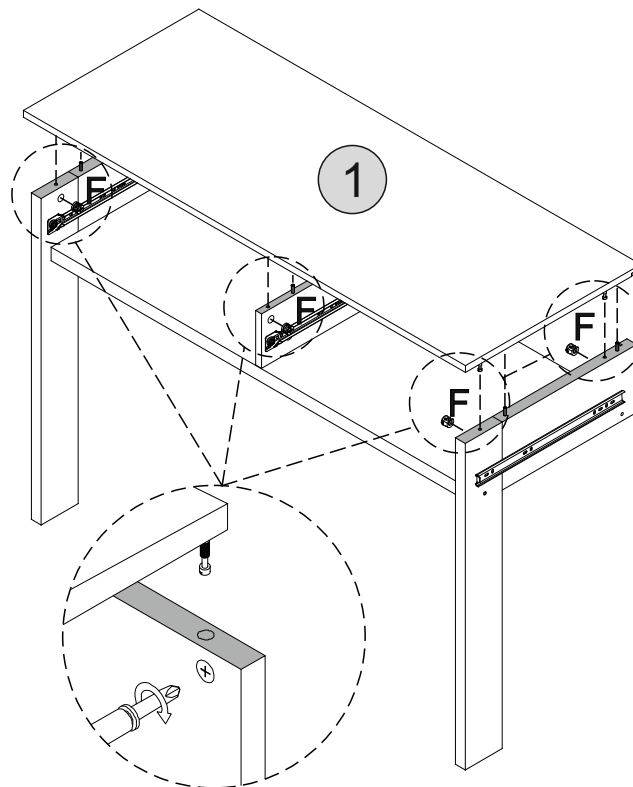
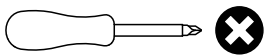
1 - TOP PANEL x1



HARDWARE REQUIRED

F  06

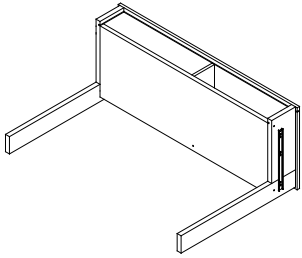
TOOLS REQUIRED



STEP 15

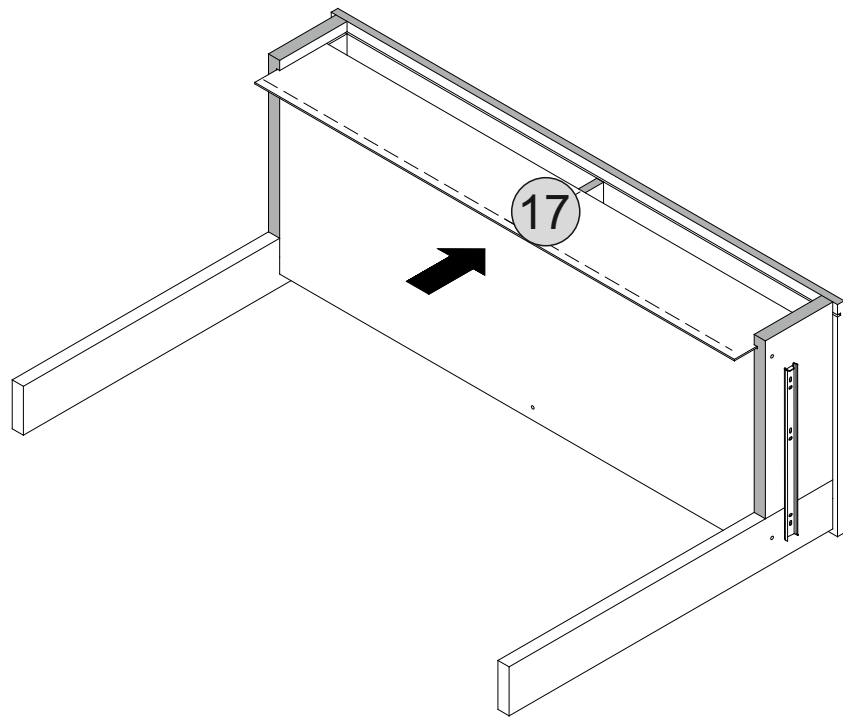
PARTS REQUIRED

17 - BACK PANEL x1



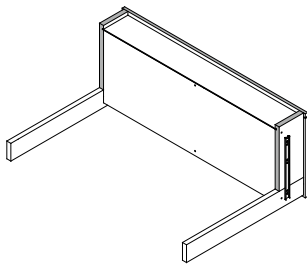
HARDWARE REQUIRED

TOOLS REQUIRED


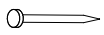



STEP 16

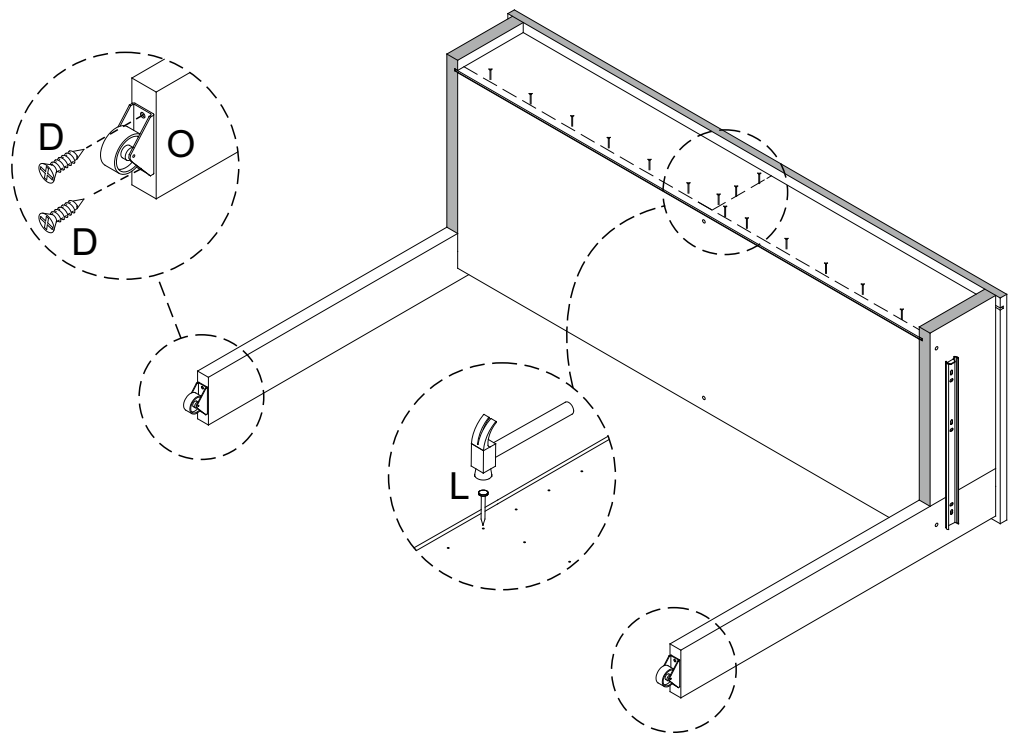
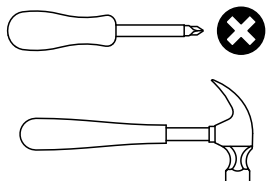
PARTS REQUIRED



HARDWARE REQUIRED

D		04
L		15
O		02

TOOLS REQUIRED



STEP 17

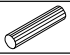
PARTS REQUIRED

5 - LEFT DRAWER SIDE x2

6 - RIGHT DRAWER SIDE x2

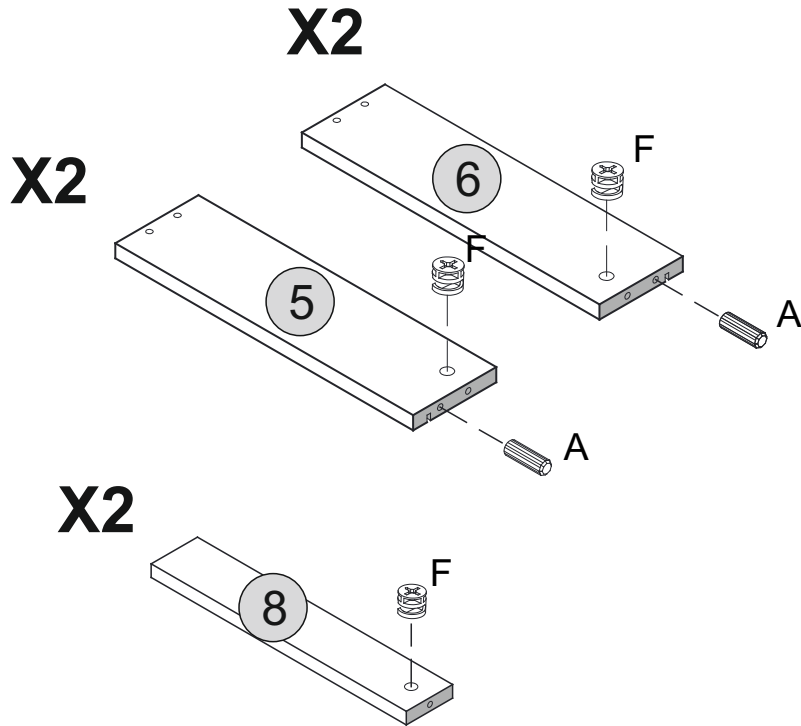
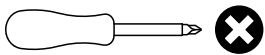
8 - DRAWER SUPPORT x2

HARDWARE REQUIRED

A  04

F  06

TOOLS REQUIRED



STEP 18

PARTS REQUIRED

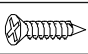
5 - LEFT DRAWER SIDE x2

6 - RIGHT DRAWER SIDE x2

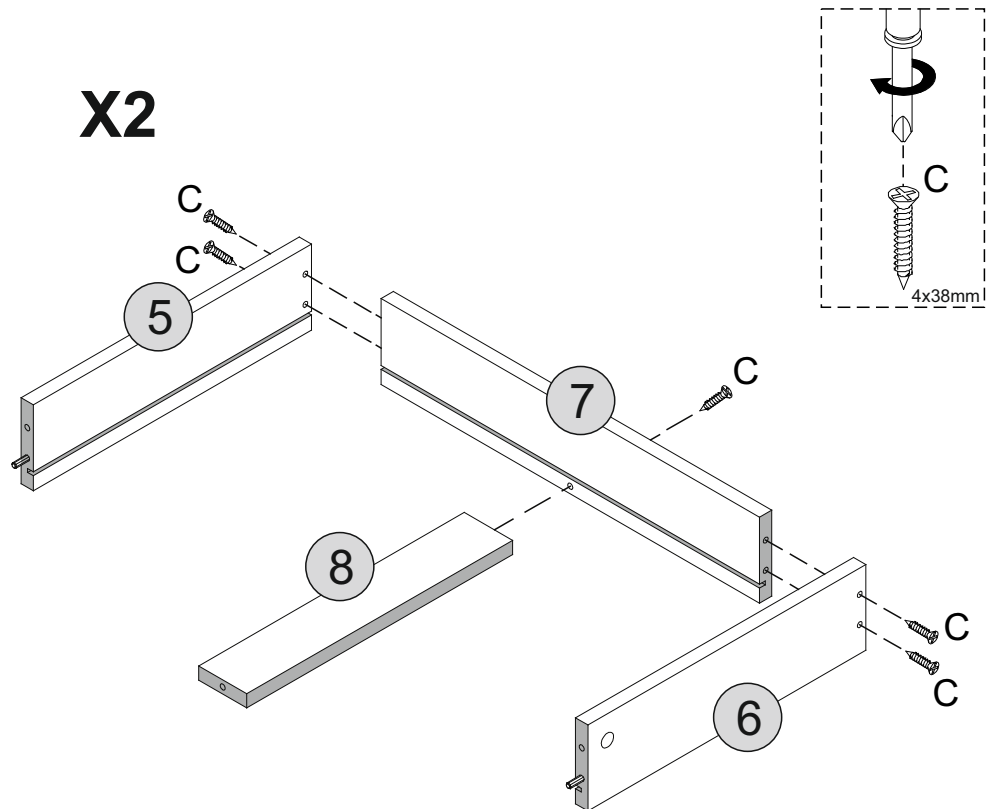
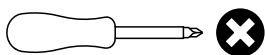
7 - DRAWER BACK x2

8 - DRAWER SUPPORT x2

HARDWARE REQUIRED

C  10

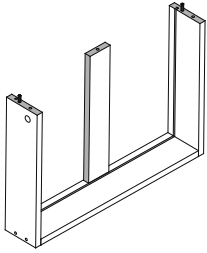
TOOLS REQUIRED



STEP 19

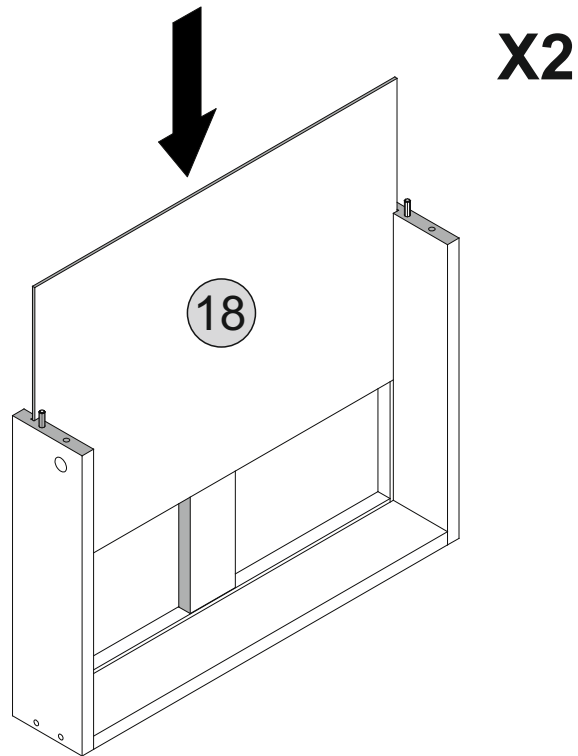
PARTS REQUIRED

18 - DRAWER BASE x2



HARDWARE REQUIRED

TOOLS REQUIRED




STEP 20

PARTS REQUIRED

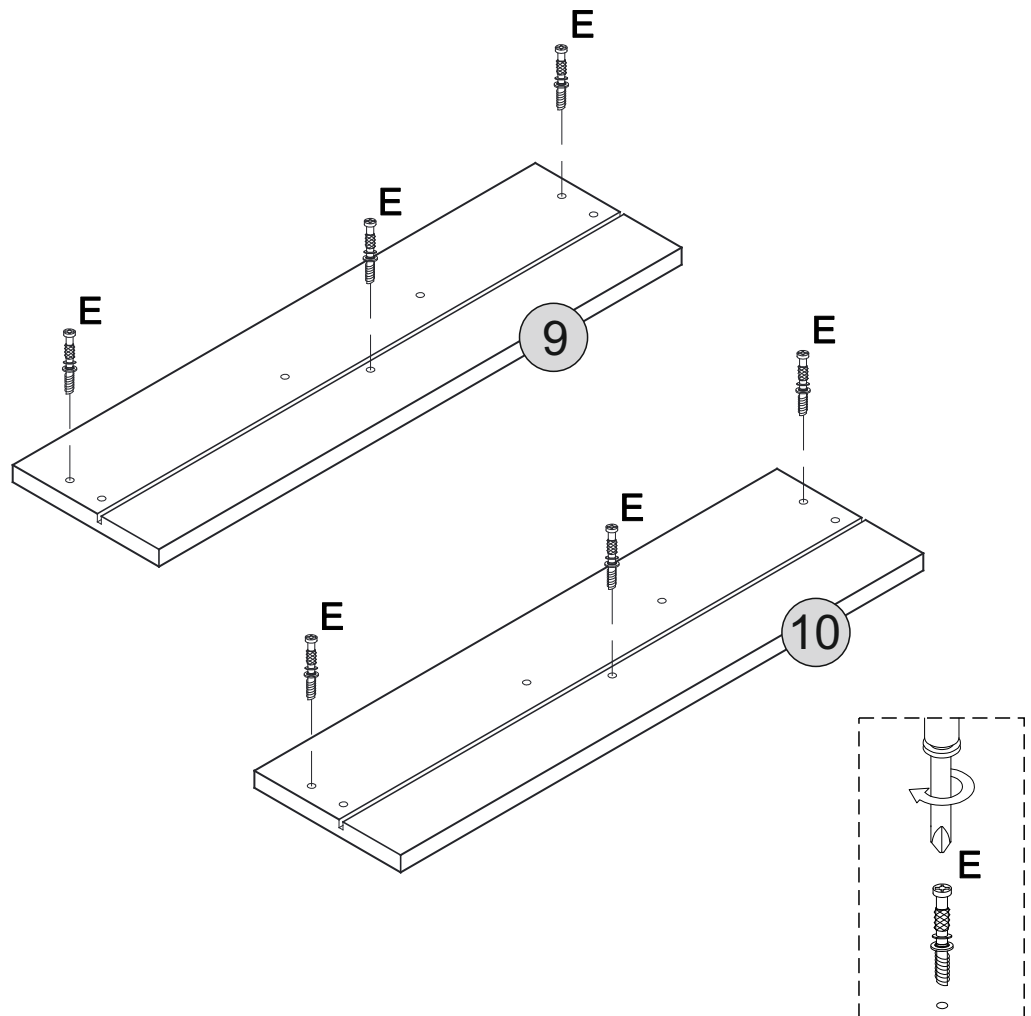
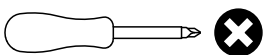
9 - RIGHT DRAWER FRONT x1

10 - LEFT DRAWER FRONT x1

HARDWARE REQUIRED

E  06

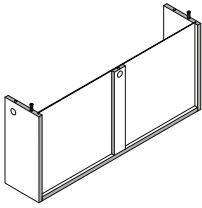
TOOLS REQUIRED



STEP 21

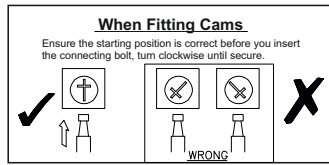
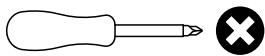
PARTS REQUIRED

- 9 - RIGHT DRAWER FRONT x1
- 10 - LEFT DRAWER FRONT x1

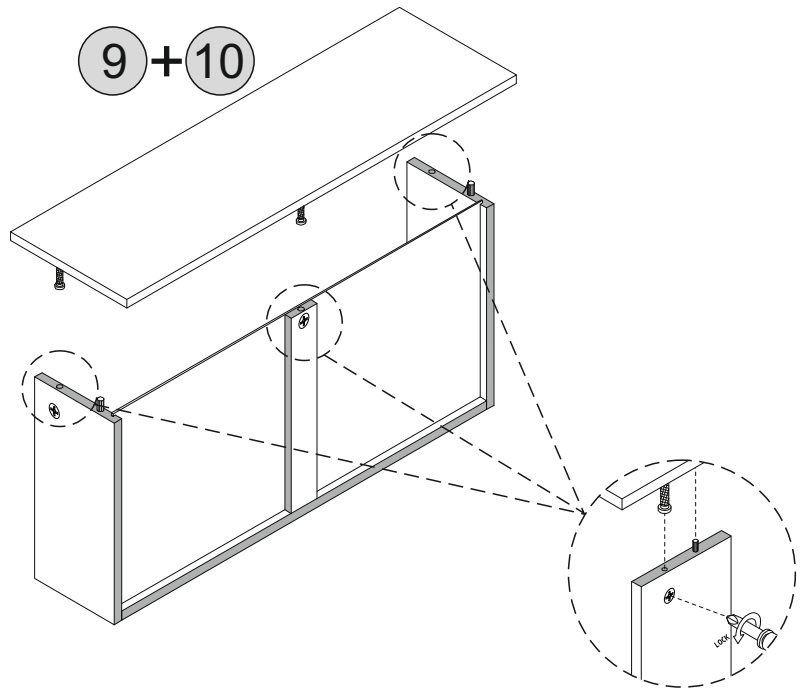


HARDWARE REQUIRED

TOOLS REQUIRED

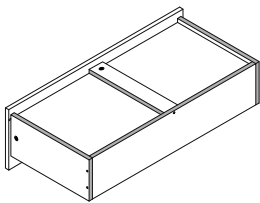


X2

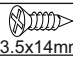



STEP 22

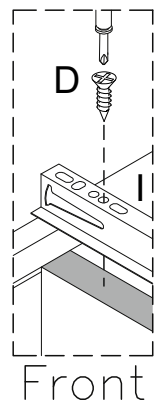
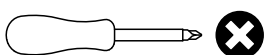
PARTS REQUIRED



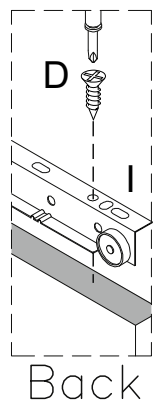
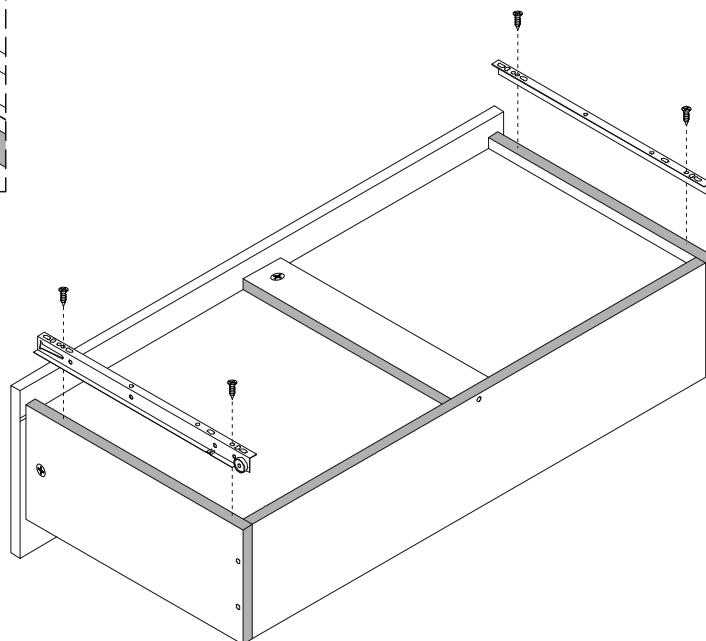
HARDWARE REQUIRED

- | | | |
|---|---|----|
| D |  | 08 |
| I |  | 02 |

TOOLS REQUIRED

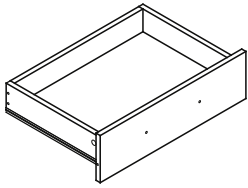


X2

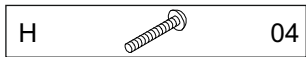
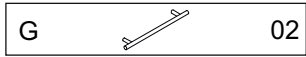


STEP 23

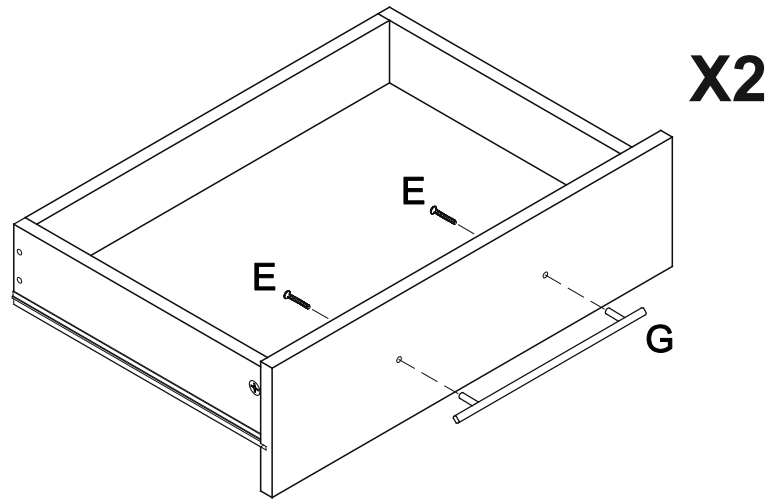
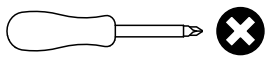
PARTS REQUIRED



HARDWARE REQUIRED

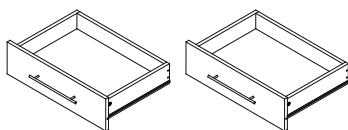
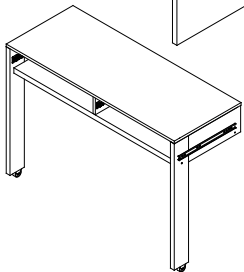
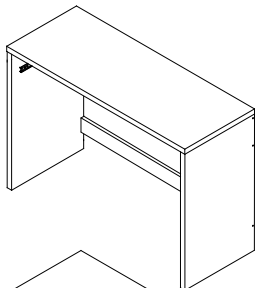


TOOLS REQUIRED



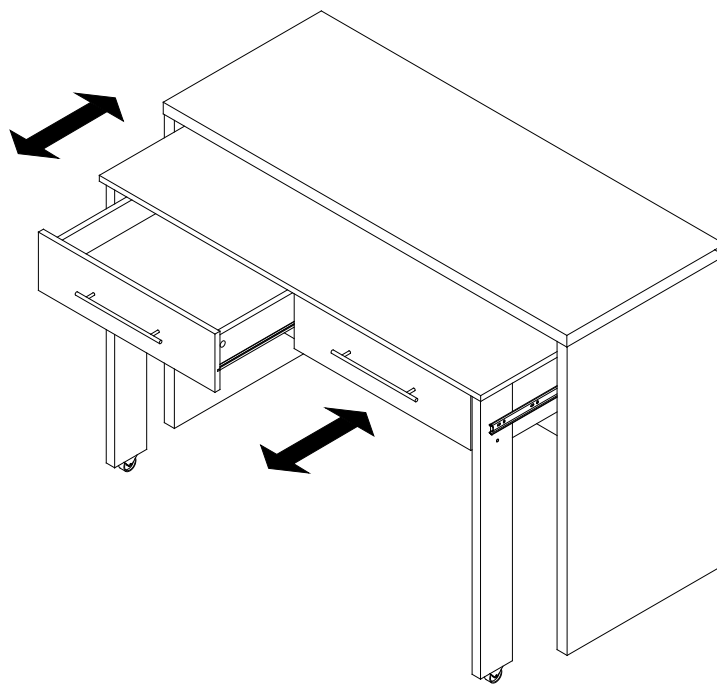
STEP 24

PARTS REQUIRED



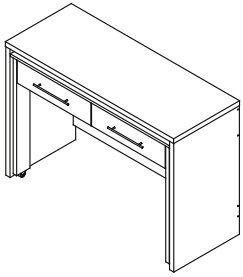
HARDWARE REQUIRED

TOOLS REQUIRED



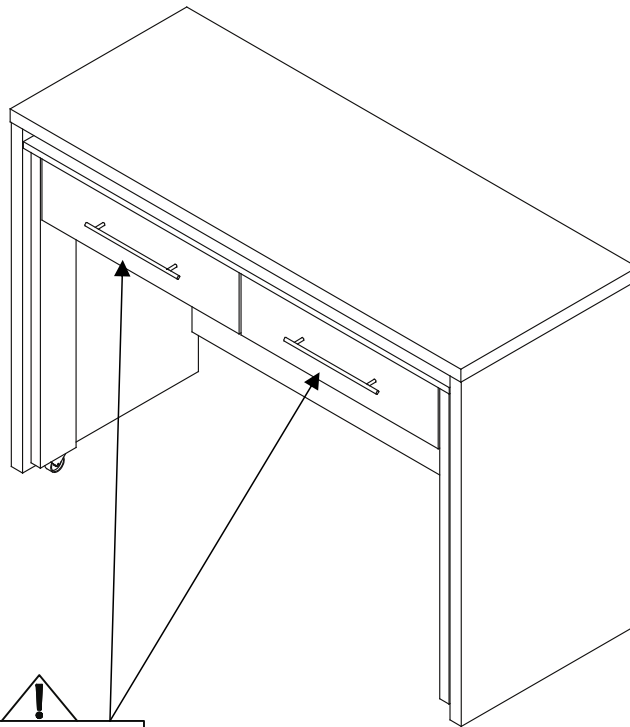
STEP 25

PARTS REQUIRED



HARDWARE REQUIRED

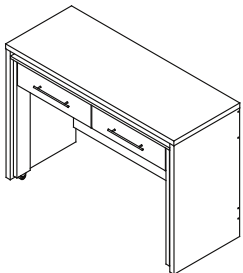
TOOLS REQUIRED



!
PLEASE NOTE THE CLEAR PROTECTIVE FILM WHICH NEEDS REMOVING FROM THE GLOSS FINISH.

STEP 26

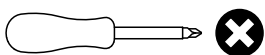
PARTS REQUIRED



HARDWARE REQUIRED



TOOLS REQUIRED



WARNING

Serious or fatal injuries can occur from furniture tipping over. To prevent the furniture from tipping over we recommend that it is permanently fixed to the wall.

Wall fixings are not supplied with this product as different wall materials require different types of fixing devices. Please make sure you use fixings suitable for the walls in your home.

