






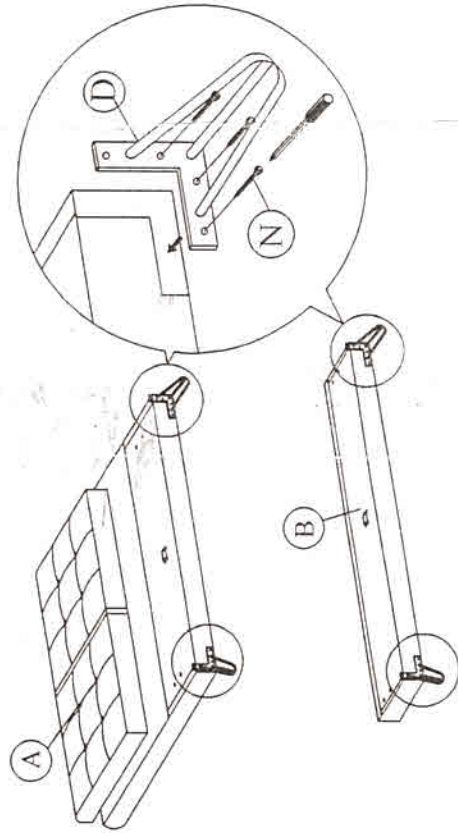


ASSEMBLY INSTRUCTION

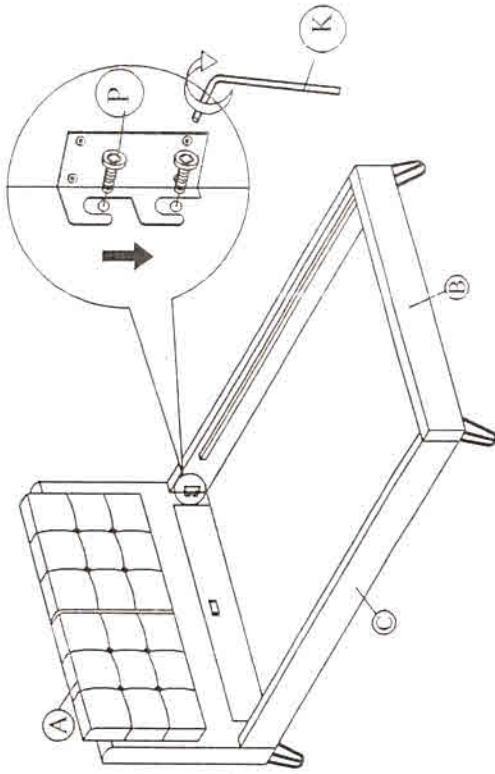
MODEL: CF 8030 (5')

	1 pc
	1 pc
	2 pcs
	4 pcs
	1 pc
	2 pcs
	28 pcs

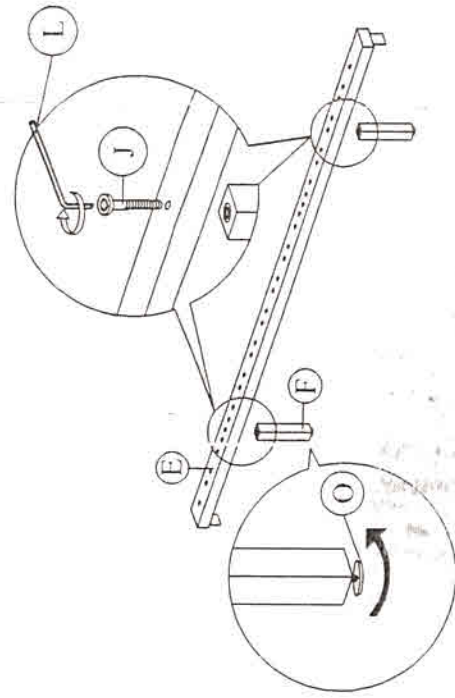
Step 1: Tighten the legs (D) to both headboard (A) and footboard (B) as shown.












Step 2: Attach Side Rail (C) to Headboard (A) and Footboard (B) by pushing the bracket down to fit it.



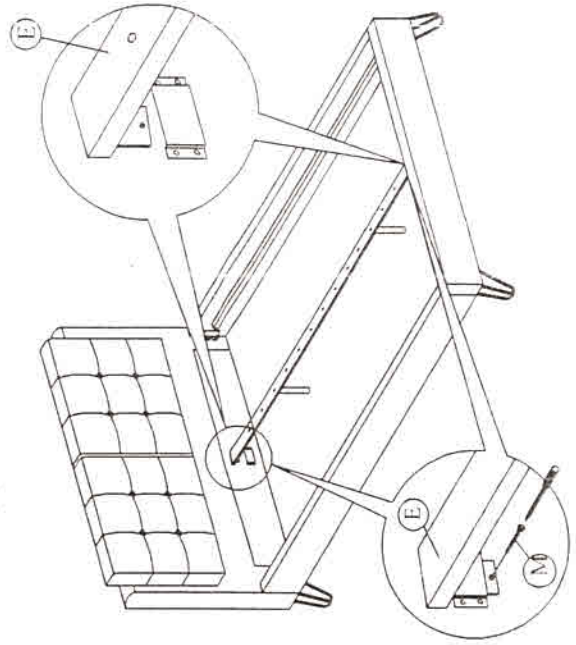
Step 3: Attach the support legs (F) to the center rail (E) of the bed as shown.



ATTENTION:
Please keep the adjuster around 5 to 8 mm distant away from the floor.

	14 pcs
	28 pcs
	2 pcs
	1 pc
	1 pc
	2 pcs
	12 pcs
	2 pcs
	8 pcs

Step 4: Slide the center rail (D) to the headboard (A) and footboard (B). Tighten screws (M) using screw driver (not included) to the headboard (A) and footboard (B).



Step 5: Affix the Slat (L) to the center rail (D) .Tighten all the 4 corner.

