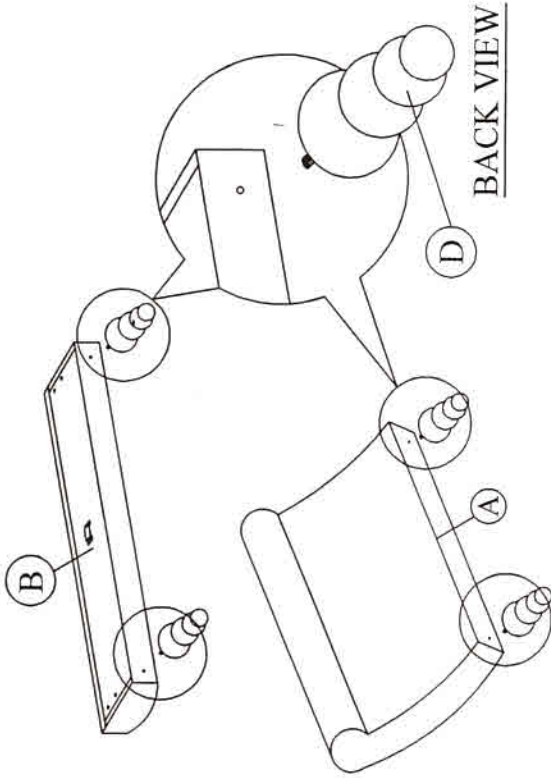
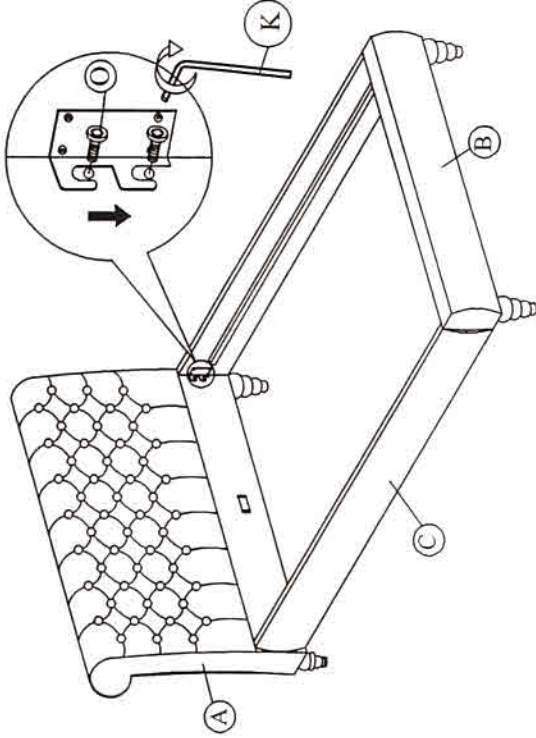


ASSEMBLY INSTRUCTION

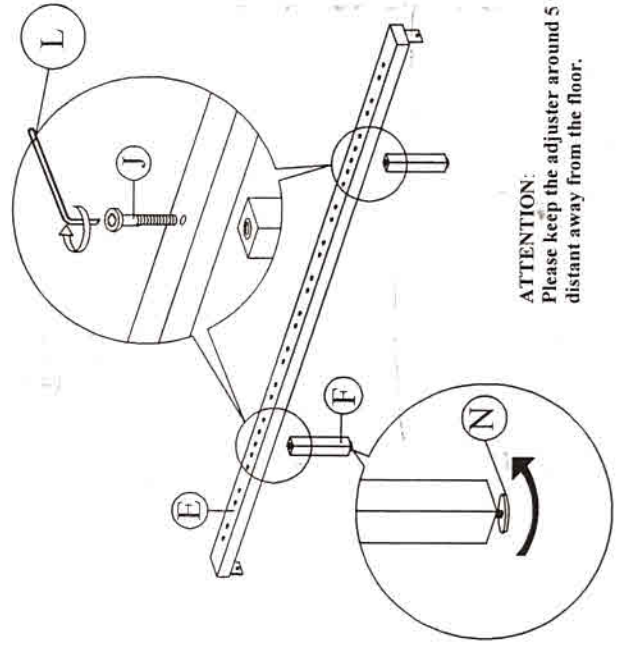
Step 1 : Install the legs (D) to footboard (B) and headboard (A).



Step 2 : Attach side rail (C) to footboard (B) and headboard (A) by pushing the bracket down to fit it.

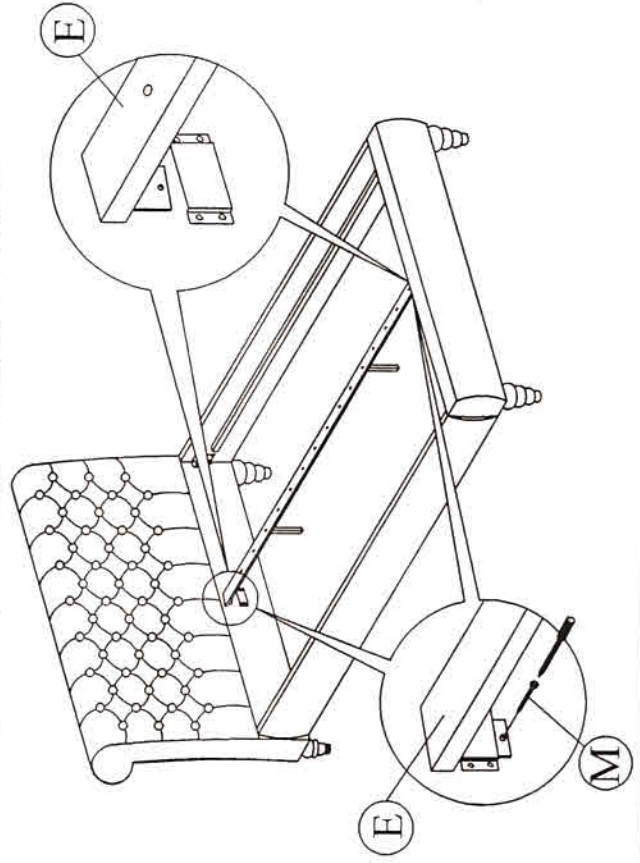


Step 3 : Attach the support legs (F) to the center rail (E) of the bed as shown.



ATTENTION:
Please keep the adjuster around 5 to 8 mm distant away from the floor.

Step 4 : Slide the center rail (E) to the headboard (A) and footboard (B). Tighten screws (M) using screw driver (not included) to the headboard (A) and footboard (B).



CF 9117 (5')

	1 pc
Headboard	
	1 pc
Footboard	
	2 pcs
Side rail	
	4 pcs
Legs	
	1 pc
Center Rail	
	2 pcs
Support Leg	
	28 pcs
Slat	
	14 pcs
Middle Holder	
	28 pcs
End Holder	
	2 pcs
SBC M6 X 40	
	1 pc
15 x 70mm	
	1 pc
4 x 65mm	
	2 pcs
SK M4 x 25mm	
	2 pcs
Adjuster	
	8 pcs
SBC M8 X 20	

5 : Tighten all the 4 corner ,follow by assembly of the slat holders with LVL slats as shown.

