



Birlea

Suppliers of inspiration

Assembly Instructions

Thank you for
purchasing a
Birlea product.

For a chance to win a *Love 2 Shop* voucher simply post a picture of your new product on your preferred social channels tagging Birlea Furniture and using the hashtag **#ShareYourStyle** and **#Birlea**. One winner will be selected at random each month.

To view our full terms and conditions please visit our website. www.birlea.com

Are you happy with your purchase?

Yes: That's great, we would love to hear more from you. Please leave us a review on our social media channels or Trustpilot. Your feedback will be greatly appreciated.

No: If for any reason there is something missing, indifferent or incorrect with your order, please contact the retailer you purchased the item from. We will work with the retailer to resolve your issue as quickly as possible.



www.birlea.com

ASSEMBLY INSTRUCTIONS

ELYSEE 5 DRAWER DRESSING TABLE

IMPORTANT: READ THESE INSTRUCTIONS CAREFULLY BEFORE ASSEMBLING OR USING YOUR ELYSEE 5 DRAWER DRESSING TABLE

PLEASE KEEP THESE INSTRUCTIONS FOR FUTURE REFERENCE.

HEALTH & SAFETY:

DO NOT use this item if any parts are missing, damaged or worn.

DO NOT use this item unless all fixings are secured.

Please keep small parts out of reach of children.

Always use on a level, even surface.

CARE & MAINTENANCE:

Assemble in the room of use.

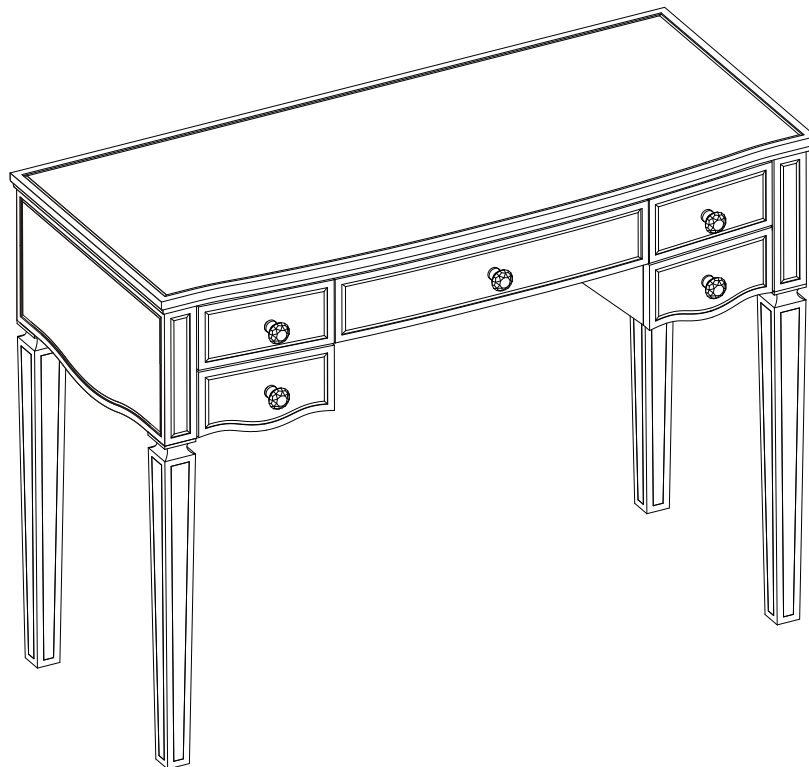
Assemble on a soft, clean surface to prevent damages.

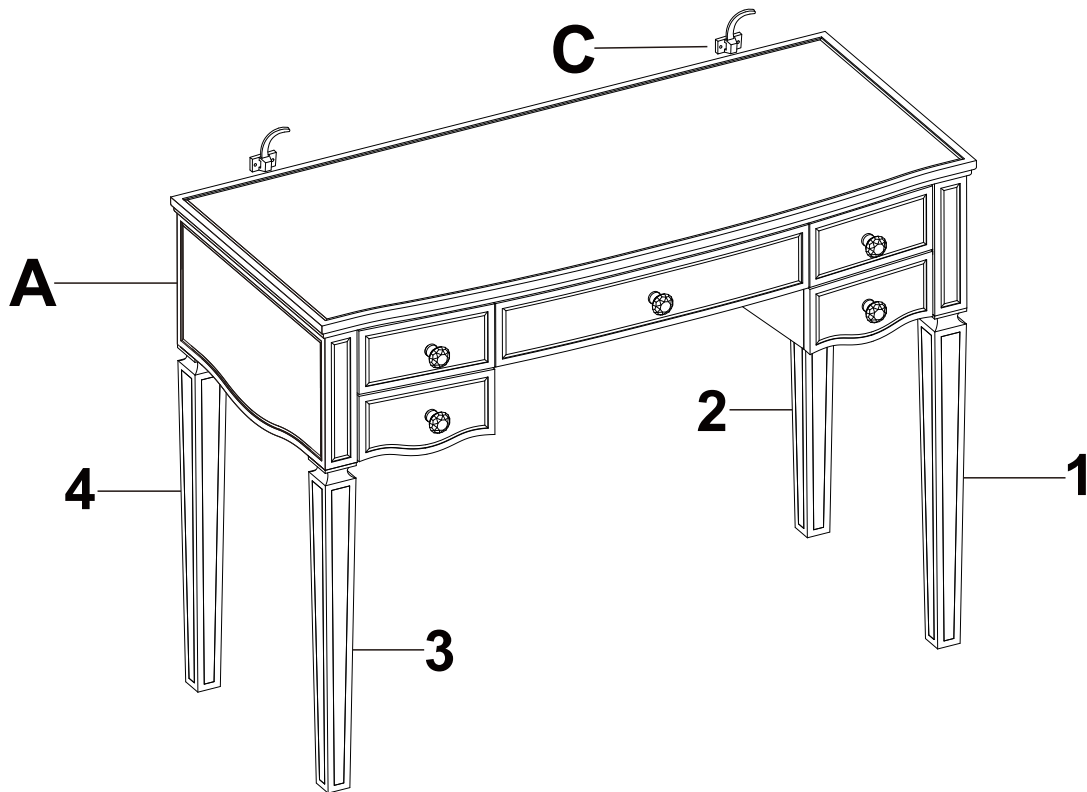
Periodically check all screws & fixings to ensure they are secure.

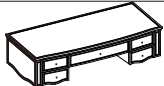
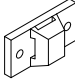










DO NOT push the item as this will damage the legs.

Always lift the item with two people to reposition.

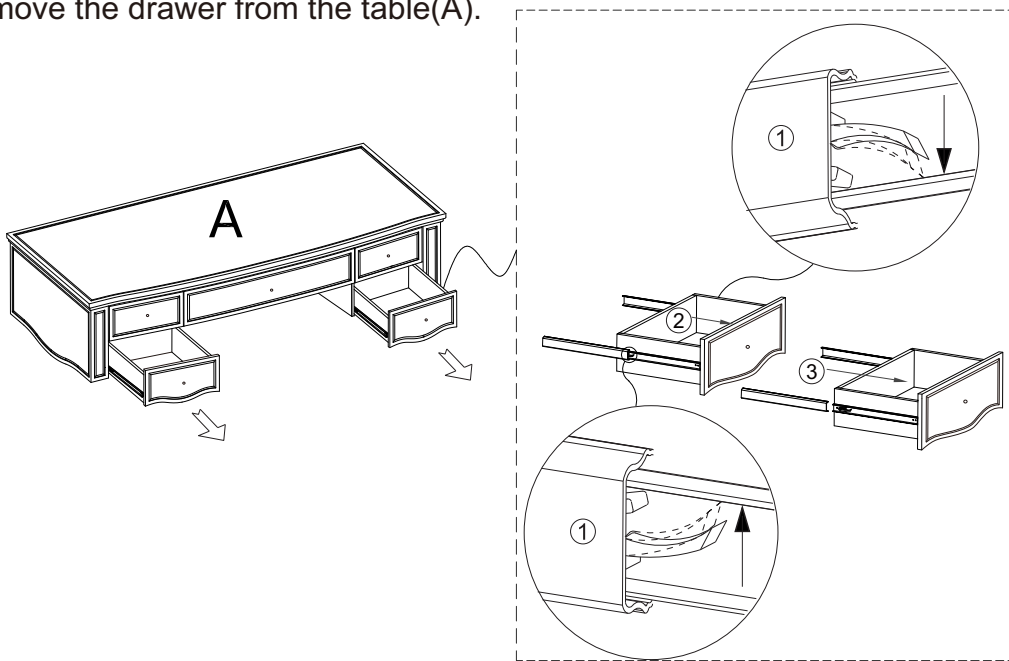
Keep any sharp objects away from the frame.



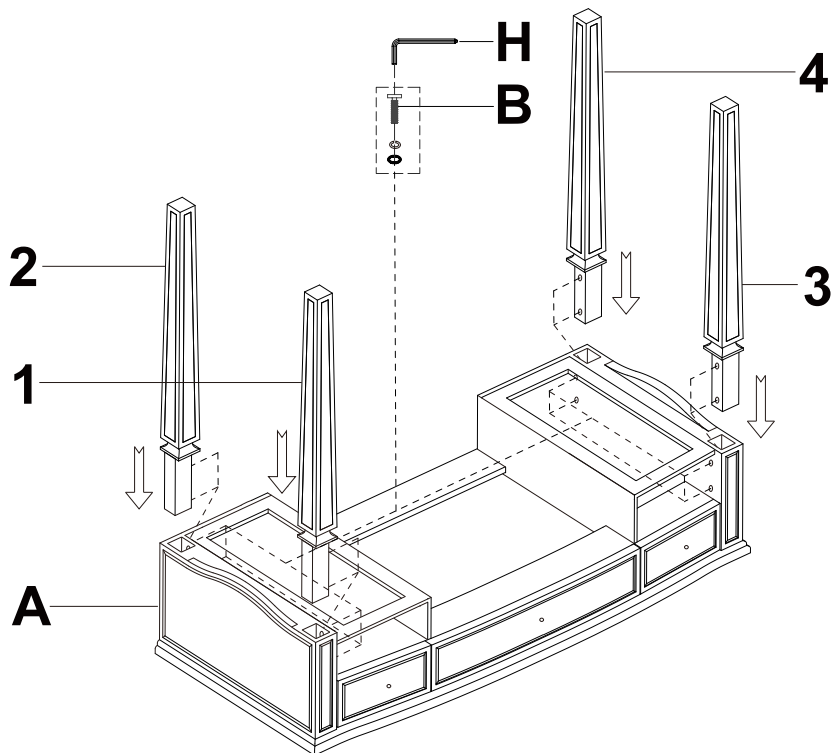


Part	Description	Qty	Part	Description	Qty
A		1	C		4
1		1	D		2
2		1	E	 ø 5.5 * L25mm	4
3		1	F	 ø 5.5 * L16mm	4
4		1	G		4
B	 ø 12 * L40 mm	8	H		1

Step1 Remove the drawer from the table(A).



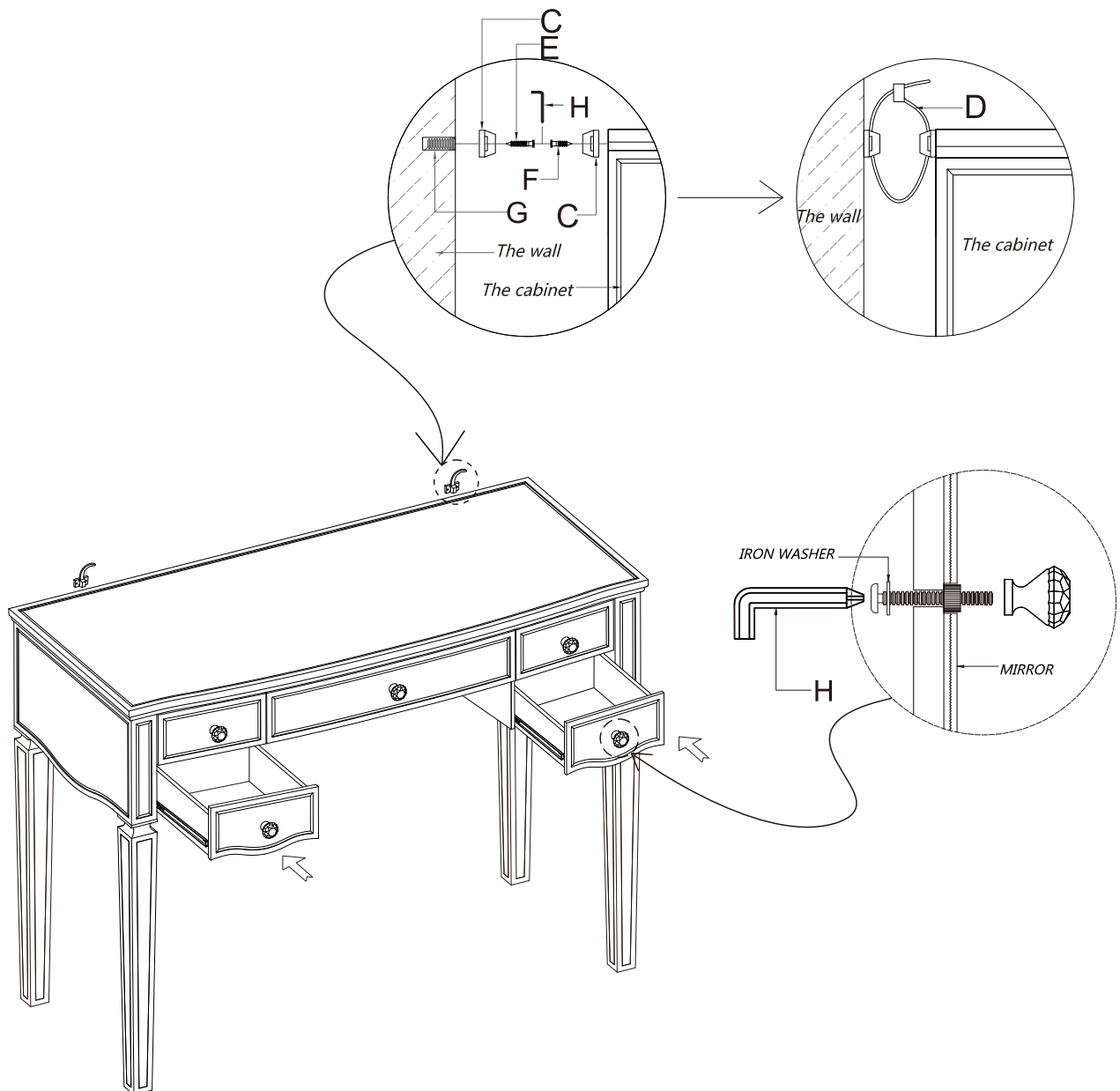
Step2 Place feet (1,2,3,4) into the holes provided using the screw and washer(B) to lock them into the table (A) by using allen key(H) then insert the drawers back into the table (A).



Step 3. Drill a hole in the wall and press the wall plug (G) into the hole. Use the long screw (E) to securely attached the bracket (C) to the wall by using allen key (H). Use the short screw (F) to securely attach the bracket (C) to the back of the product by using allen key (H).

Step 4. Fix the strap (D)

Step 5. loosen and tighten the handle from the drawer inside to outside by using allen key (H).



Additional Information:

- A For complete product information, images and dimension diagrams please visit the website www.birlea.com
- A If you have any issues with your item please contact the retailer directly you purchased it from who will be able to resolve any issues with Birlea.
- A Why don't you send us photos of your assembled furniture to info@birlea.com to be shared in our #birleahome feature on Instagram.