



Birlea

Suppliers of inspiration

Vendor: S000350



ASSEMBLY INSTRUCTIONS URBAN TV UNIT RUSTIC

IMPORTANT : READ THESE INSTRUCTIONS CAREFULLY BEFORE ATTEMPTING TO ASSEMBLE OR USE YOUR URBAN TV UNIT RUSTIC.

PLEASE KEEP THESE INSTRUCTIONS FOR FUTURE REFERENCE.

ASSEMBLY:

Assembly should be carried out with this item laying flat, not standing upright.

Assemble on a soft, clean surface to prevent damages.

To erase the numbers printed on the pieces, use the rubber inside the accessories pack.

HEALTH & SAFETY:

DO NOT use this product if any parts are missing, damaged or worn.

DO NOT use this product unless all fixings are secured.

Always use on a level, even surface.

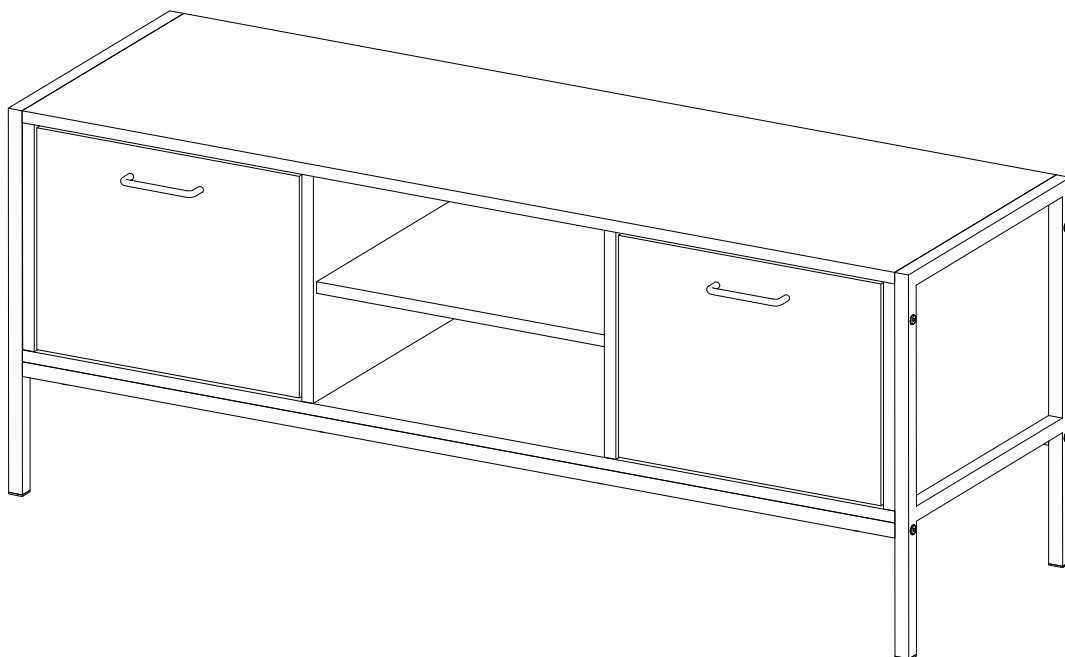
CARE & MAINTENANCE:

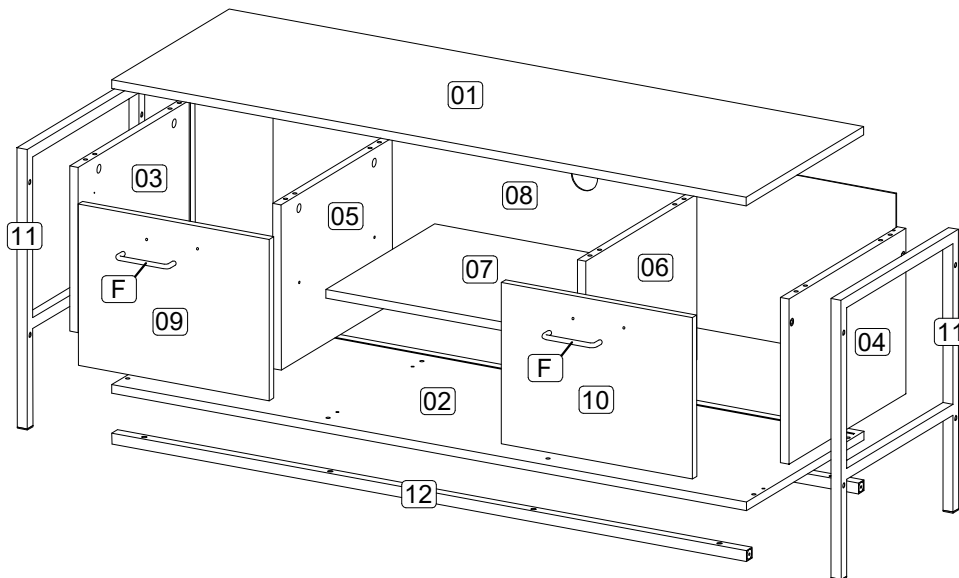
Periodically check all screws & fixings to ensure they are secure.













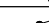

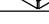

DO NOT push the product as this will cause damage.

Always lift the product with two people to reposition.

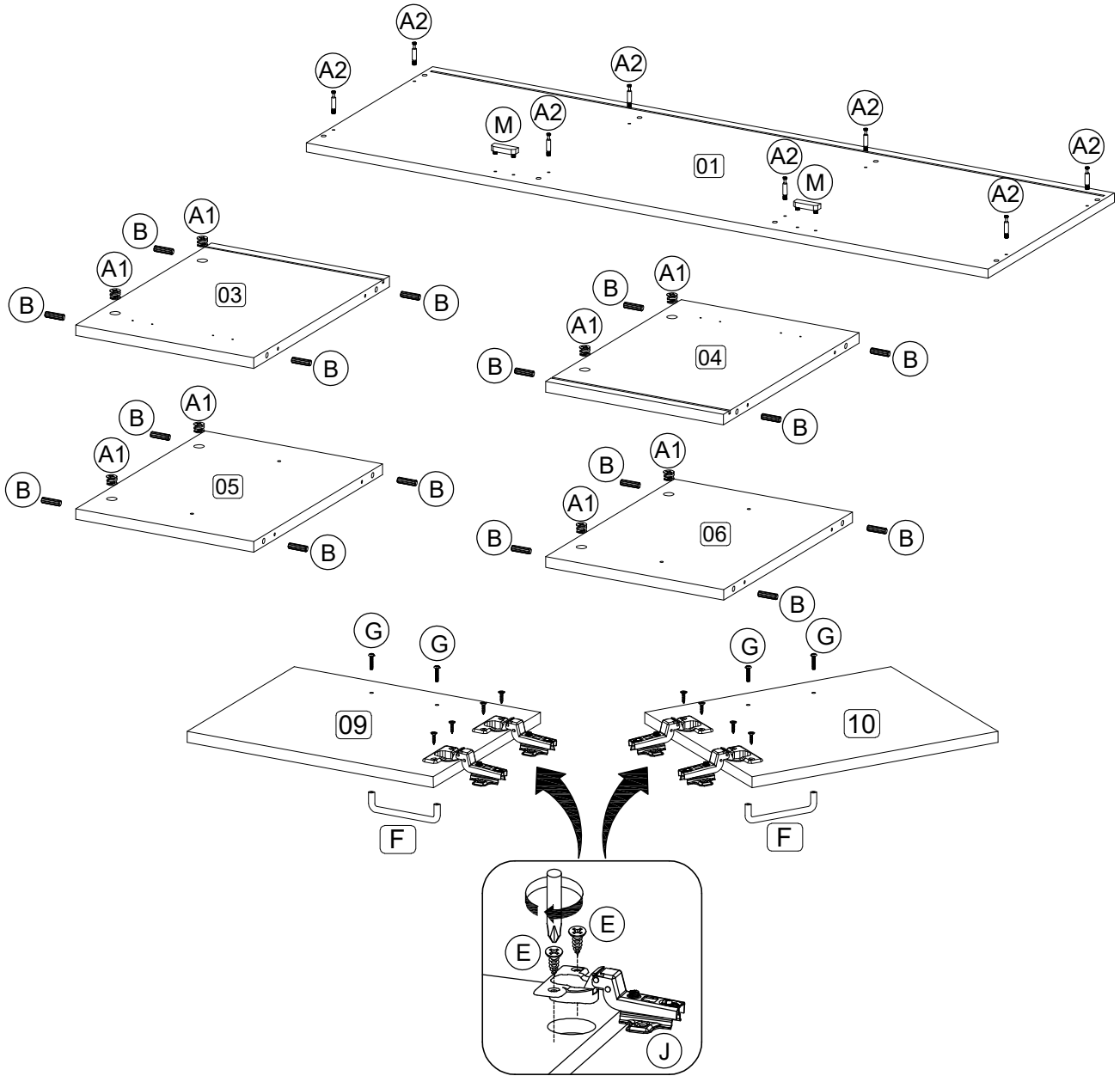
Keep any sharp objects away from the product.



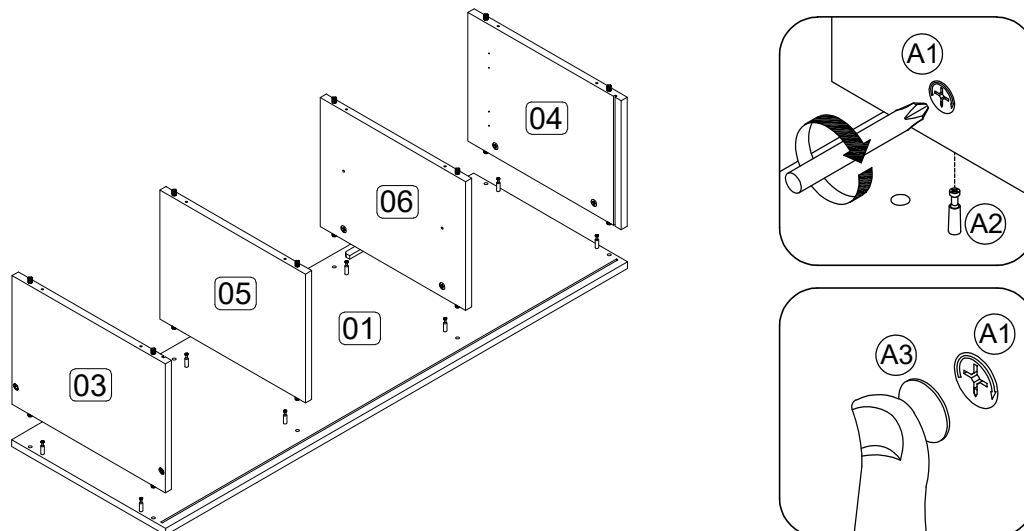


Parts List			Hardware List			
Part	Description	Qty	Part	Description		Qty
01	Top panel	1	A1	Cam lock		8
02	Bottom panel	1	A2	Minifix screw		8
03	Side panel (Left)	1	A3	Plastic cap		8
04	Side panel (Right)	1	B	M8 x 30mm Wood Dowel		16
05	Center Panel (Left)	1	C	M6 x 50mm CSK Cap Wood screw		8
06	Center Panel (Right)	1	D	Allen key M4		1
07	Shelf Panel	1	E	M3.5 x 16mm C.B Screw		16
08	Back Panel	1	F	Handle 100.96. BLM		2
09	Door Panel (Left)	1	G	Handle screw M4 x 19mm		4
10	Door Panel (Right)	1	H	JCBC screw M6 x 30mm		12
11	Metal Frame Side	2	I	JCBC screw M6 x 40mm		4
12	Metal Frame Middle	2	J	7/8 Hinges		4
** You will need a small mallet and a screwdriver for assembly. ** Some screws and wooden dowel			K	Metal Shelf Support		4
			L1	Stud 192		8
			L2	Stud 192 screw		8
			M	Stopper (2 Pin)		2

Step 1: Prepare these parts for assembly using hardware parts A1, A2, B, E, F, G, J and M.
DO NOT use any power tools as this may damage the frame and will invalidate any claim.

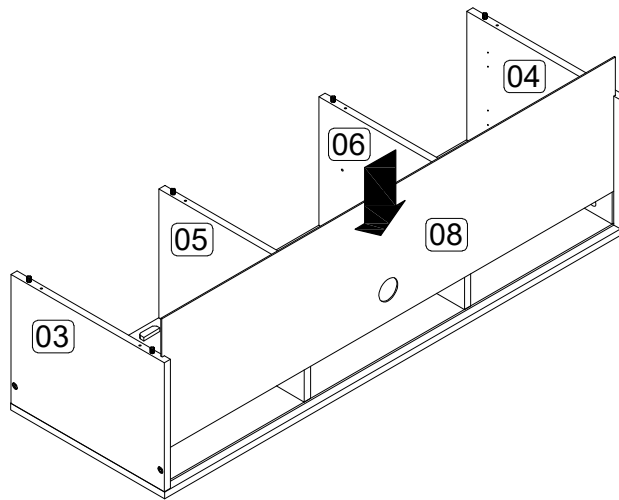


Step 2: Attach panel (3), (4), (5) and (6) to panel (1) using hardware A1, A2 and A3 with a screwdriver (not provided).
DO NOT use any power tools as this may damage the frame and will invalidate any claim.



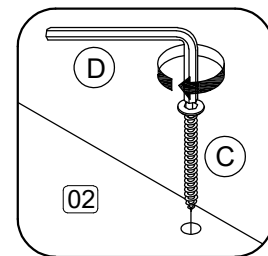
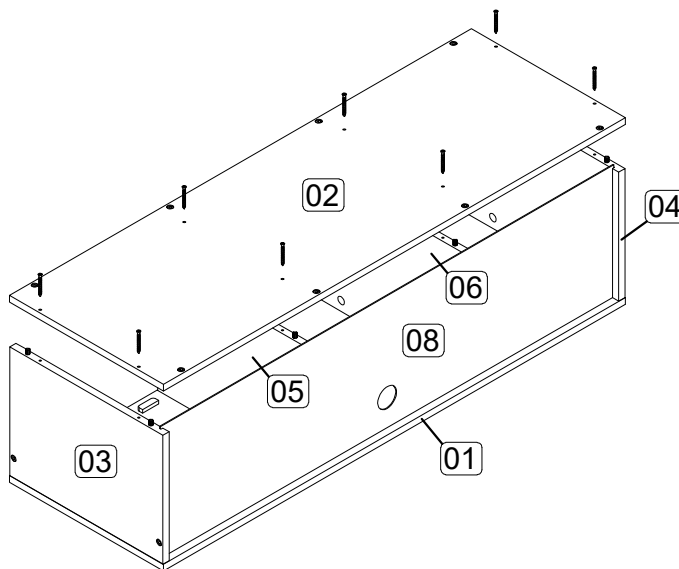
Step 3: Insert panel (8) along the slot.

DO NOT use any power tools as this may damage the frame and will invalidate any claim.



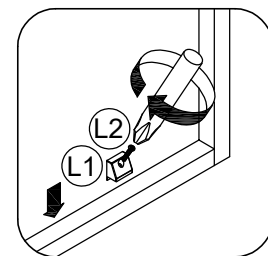
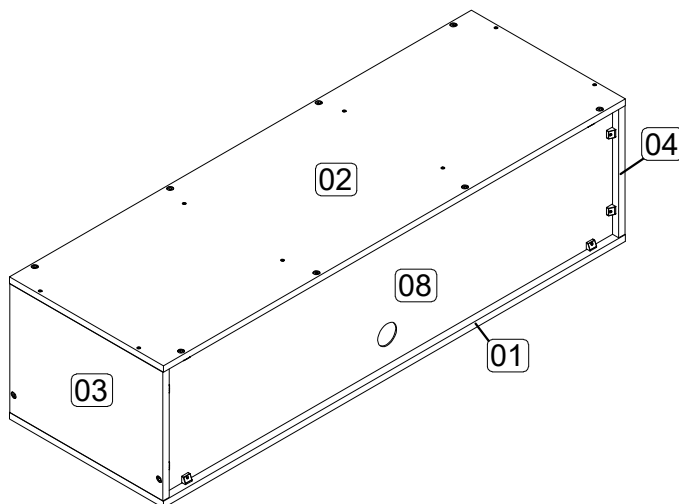
Step 4: Attach panel (2) to panel (3), (4), (5) and (6) using hardware C and D.

DO NOT use any power tools as this may damage the frame and will invalidate any claim.



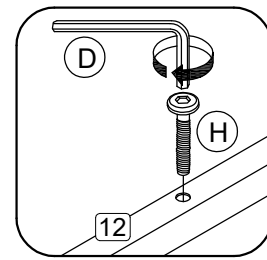
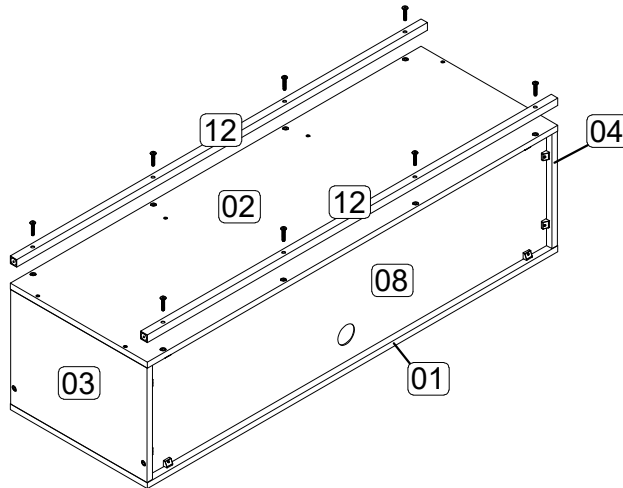
Step 5: Attach hardware L1 into panel (1), (2), (3) and (4) using hardware L2 with a screwdriver (not provided).

DO NOT use any power tools as this may damage the frame and will invalidate any claim.



Step 6: Attach Metal Frame Middle (12) to panel (2) using hardware D and H.

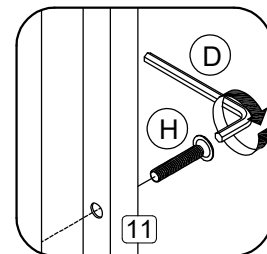
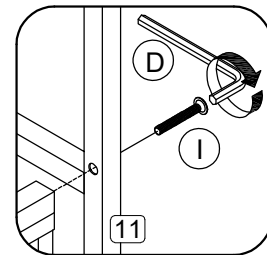
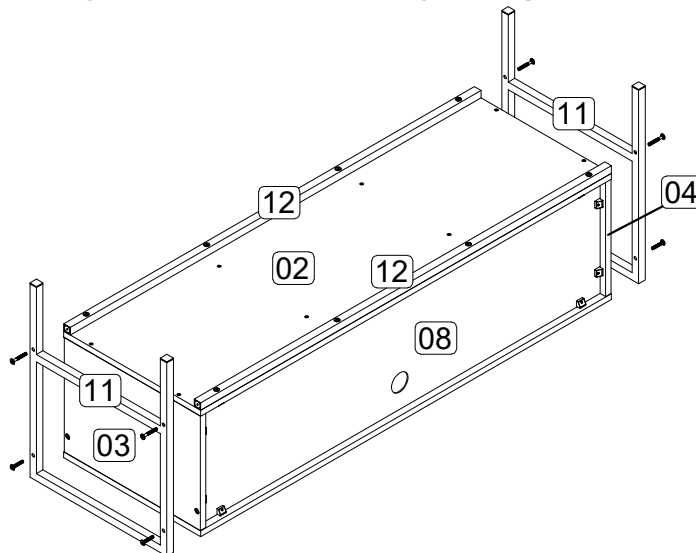
DO NOT use any power tools as this may damage the frame and will invalidate any claim.



Step 7: Attach Metal Frame Side (11) to panel (3) and (4) using hardware D and H.

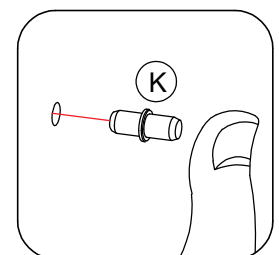
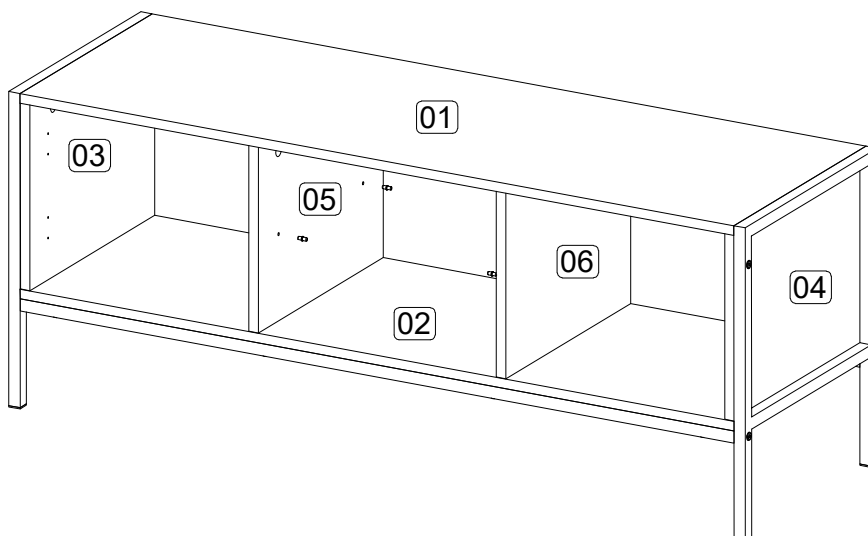
Attach Metal Frame Side (11) to Metal Frame Middle (12) using hardware D and I.

DO NOT use any power tools as this may damage the frame and will invalidate any claim.



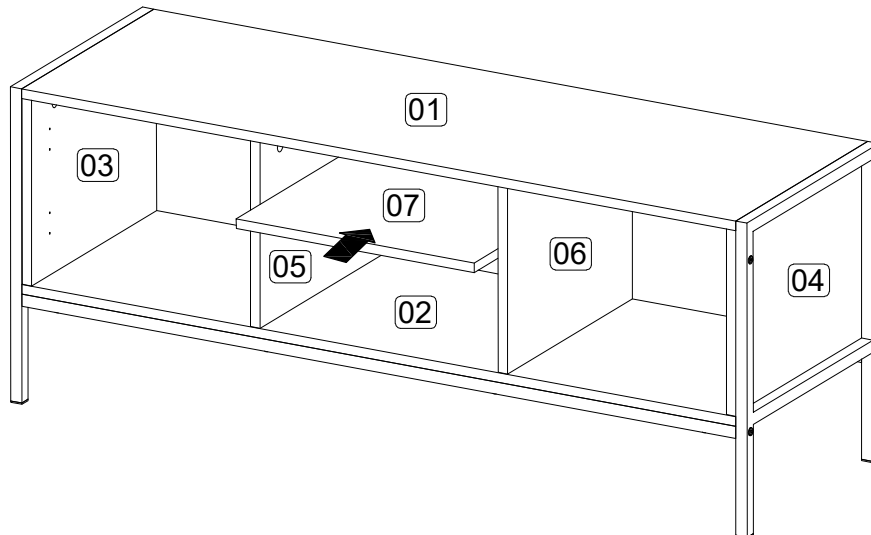
Step 8: Insert hardware K into mounting positions on panel (5) and (6).

DO NOT use any power tools as this may damage the frame and will invalidate any claim.



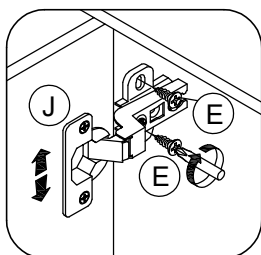
Step 9: Insert panel (7) between panel (5) and (6).

DO NOT use any power tools as this may damage the frame and will invalidate any claim.

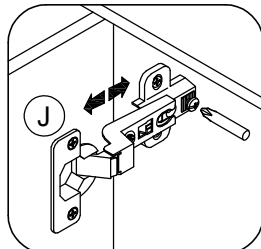


Step 10: Attach panel (9) and (10) to panel (3) and (4) using hardware E with a screwdriver (not provided).

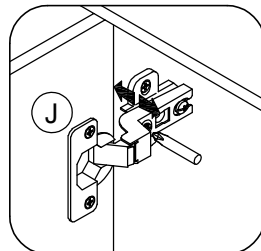
DO NOT use any power tools as this may damage the frame and will invalidate any claim.



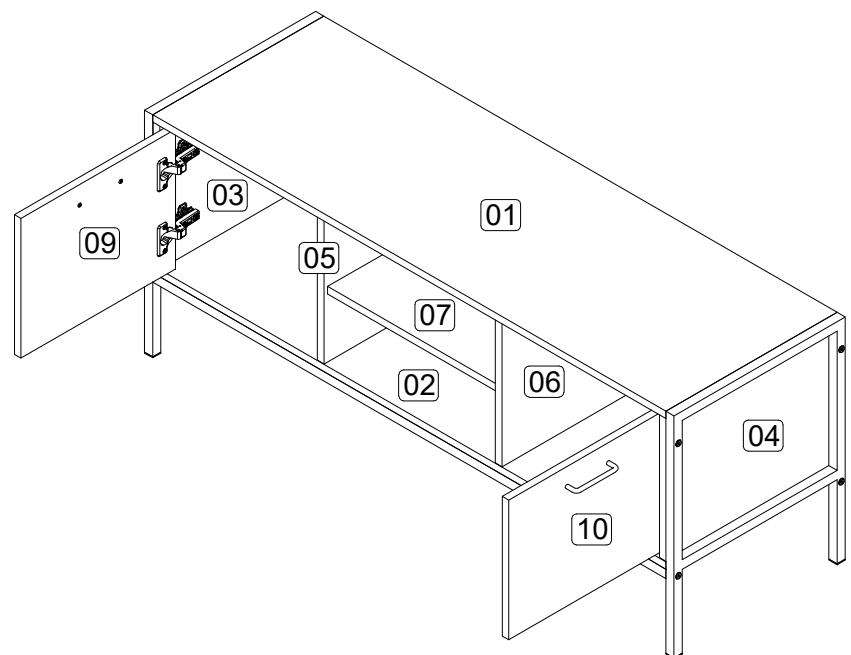
Vertical
Adjustment



Horizontal
Adjustment



Depth
Adjustment



Additional Information:

- For complete product information, images and dimension diagrams please visit the website www.birlea.com
- If you have any issues with your item please contact the retailer directly you purchased it from who will be able to resolve any issues with Birlea.
- Why don't you send us photos of your assembled furniture to info@birlea.com to be shared in our #birleahome feature on instagram.



Birlea

Suppliers of inspiration