



Birlea

Suppliers of inspiration

Vendor: S000350



ASSEMBLY INSTRUCTIONS **URBAN 3 DRAWER SHELVING UNIT**

IMPORTANT : READ THESE INSTRUCTIONS CAREFULLY BEFORE ATTEMPTING TO ASSEMBLE OR USE YOUR URBAN 3 DRAWER SHELVING UNIT.

PLEASE KEEP THESE INSTRUCTIONS FOR FUTURE REFERENCE.

ASSEMBLY:

Assembly should be carried out with this item laying flat, not standing upright.

Assemble on a soft, clean surface to prevent damages.

To erase the numbers printed on the pieces, use the rubber into the accessories pack.

HEALTH & SAFETY:

DO NOT use this 3 drawer shelving unit if any parts are missing, damaged or worn.

DO NOT use this 3 drawer shelving unit unless all fixings are secured.

Always use on a level, even surface.

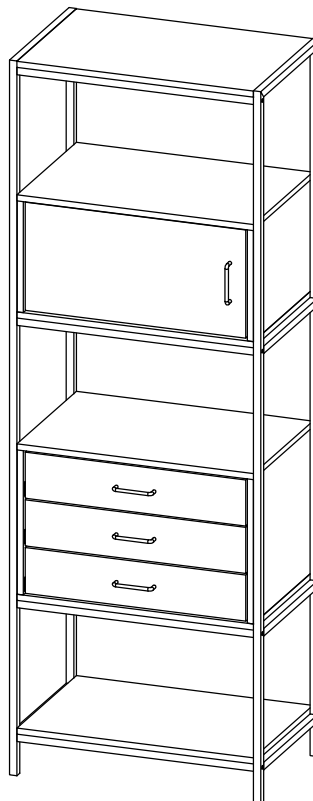
CARE & MAINTENANCE:

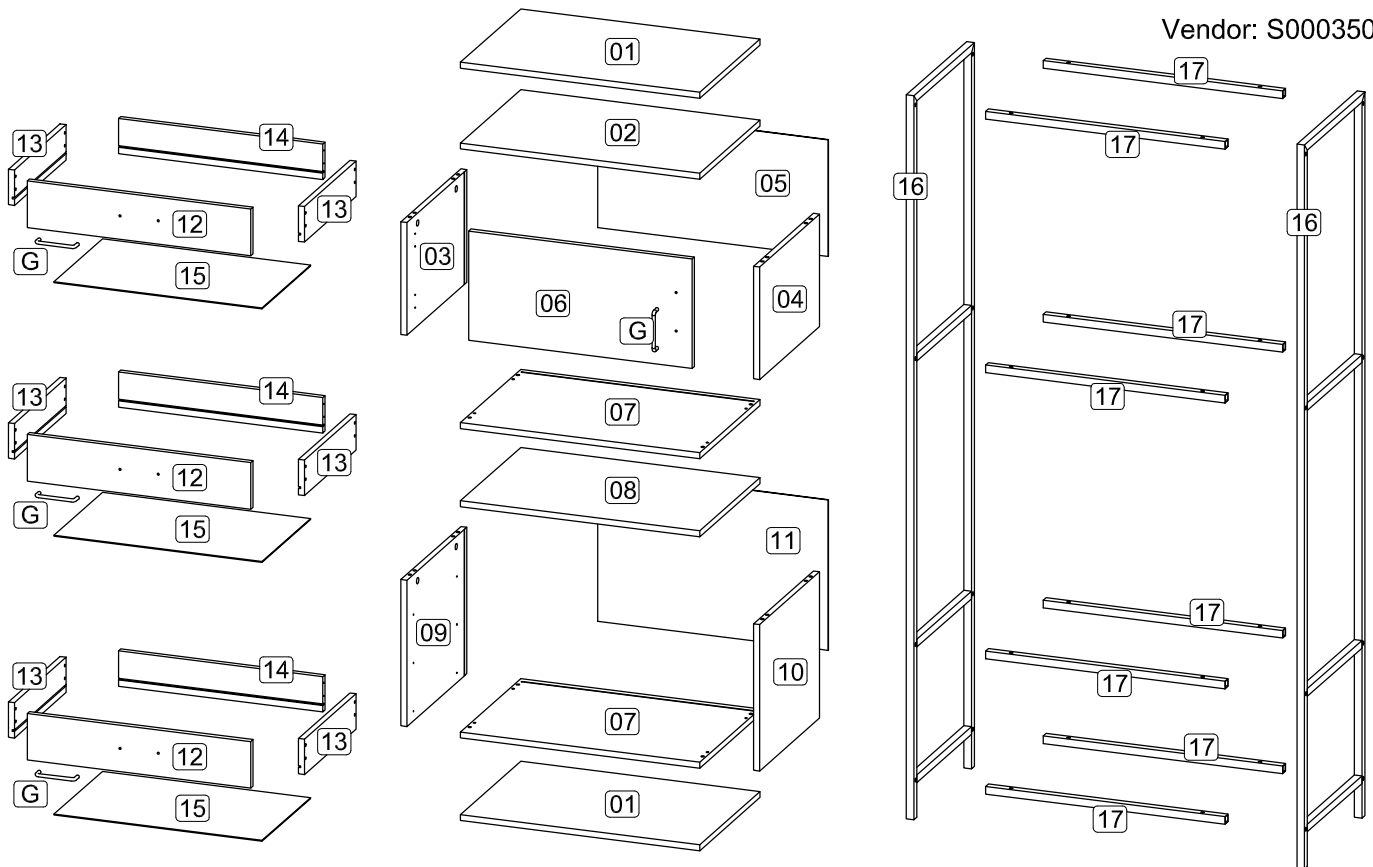
Periodically check all screws & fixings to ensure they are secure.

DO NOT push the bedside as this will cause damage.

Always lift the 3 drawer shelving unit with two people to repositions.









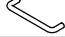
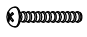





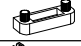

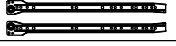



Keep any sharp objects away from the 3 drawer shelving unit.



**Parts List**

Part	Description	Box	Qty
01	Middle panel	A	2
02	Up box top panel	A	1
03	Up box side panel (Left)	A	1
04	Up box side panel (Right)	A	1
05	Up box back panel	A	1
06	Door panel	B	1
07	Box bottom panel	A	2
08	Down box top panel	A	1
09	Down box side panel (Left)	A	1
10	Down box side panel (Right)	A	1
11	Down box back panel	A	1
12	Drawer front	B	3
13	Drawer side	B	6
14	Drawer back	B	3
15	Drawer bottom	A	2
		B	1
16	Metal Side (Left & Right)	B	2
17	Metal middle	B	8

Hardware List (BOX A)

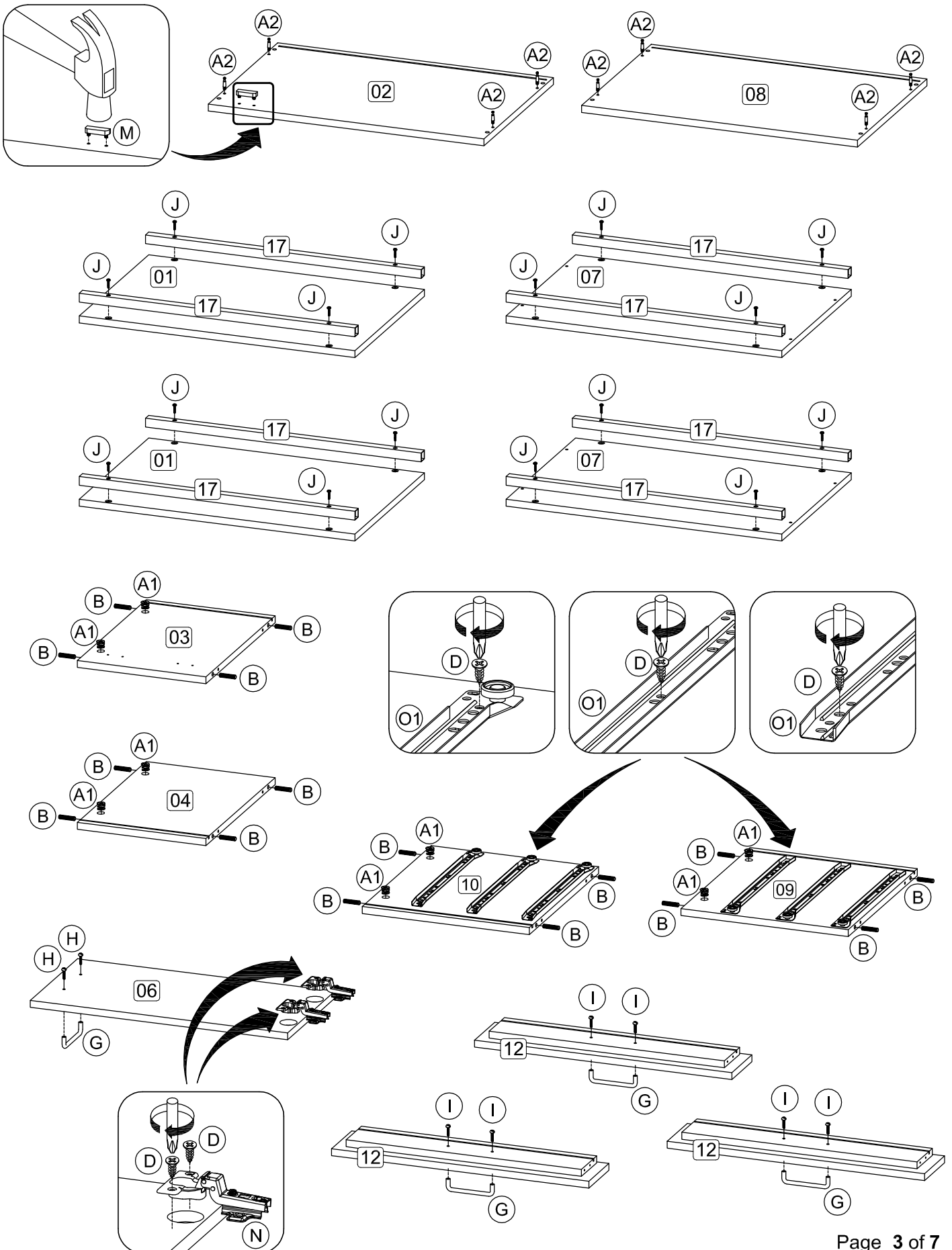
Part	Description	Qty
A1	Cam lock 	8
A2	Minifix screw 	8
A3	Plastic cap 	8
B	M8 x 30mm Wood Dowel 	16
C	M6 x 50mm CSK Cap Wood screw 	8
D	M3.5 x 16mm C.B Screw 	46
E	M4 x 38mm C.B Screw 	24
F	Allen key M4 	1
G	Handle 100.96. BLM 	4
H	Handle screw M4 x 19mm 	2
I	Handle screw M4 x 35mm 	6
J	JCBC screw M6 x 30mm 	16
K	JCBC screw M6 x 40mm 	16
L1	Stud 192 	8
L2	Stud 192 screw 	8
M	Drawer stopper (2 Pin) 	1
N	7/8 Hinges 	2
O1	14" Drawer slide (Left / Right) 	6
O2	14" Drawer slide (Left / Right) 	6
P	8" x 1" PP tape 	2
Q	Wall plug 	-

**** You will need a small mallet and a screwdriver for assembly.**

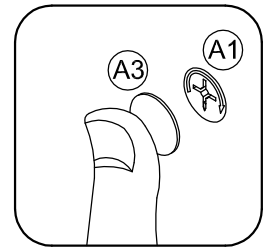
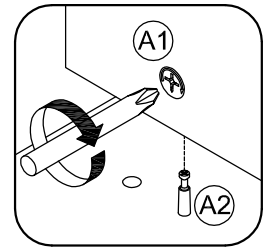
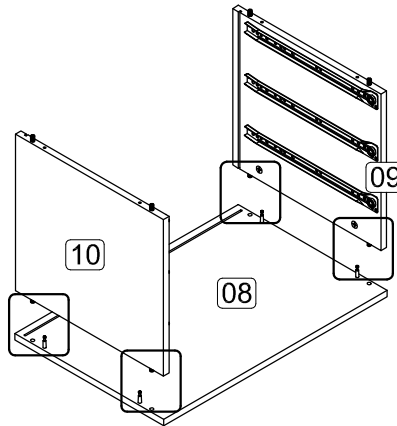
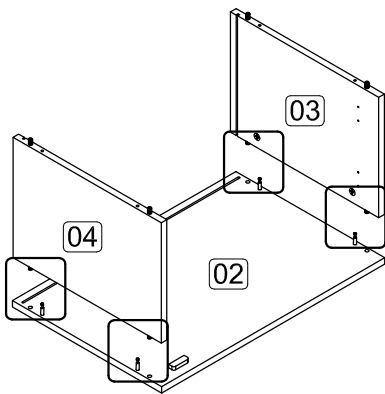
**** Some screws and wooden dowel may remain.**

**** Note : To secure the item to the wall, hardware E (2 pcs) and Q (2 pcs) are not provided.**

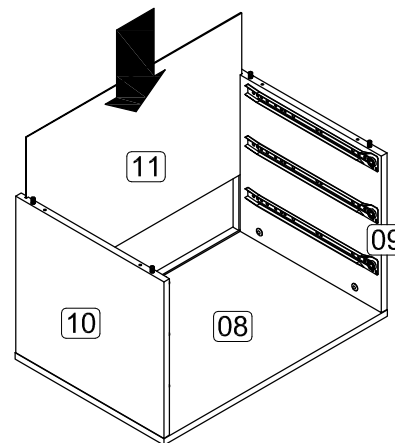
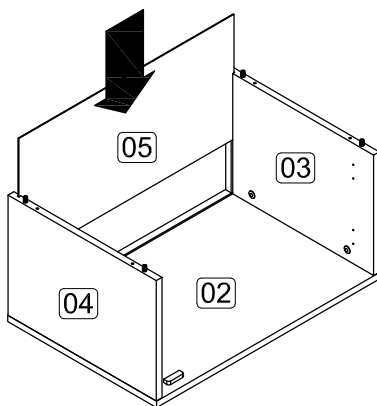
Step 1: Prepare these parts for assembly using hardware parts A1, A2, B, D, G, H, I, J, M, N and O1.
DO NOT use any power tools as this may damage the frame and will invalidate any claim.



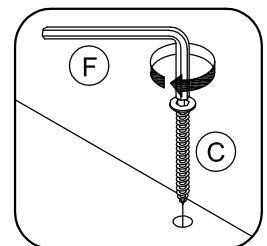
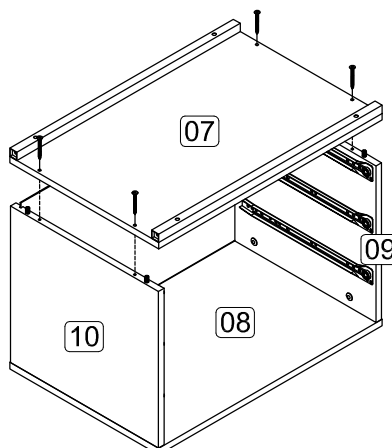
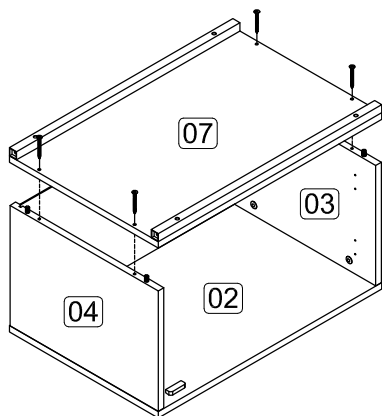
Step 2: Attach the panel (3) and (4) to panel (2) using hardware A1 and A3 with a screwdriver (not provided). Attach the panel (9) and (10) to panel (8) using hardware A1 and A3 with a screwdriver (not provided). **DO NOT use any power tools as this may damage the frame and will invalidate any claim.**



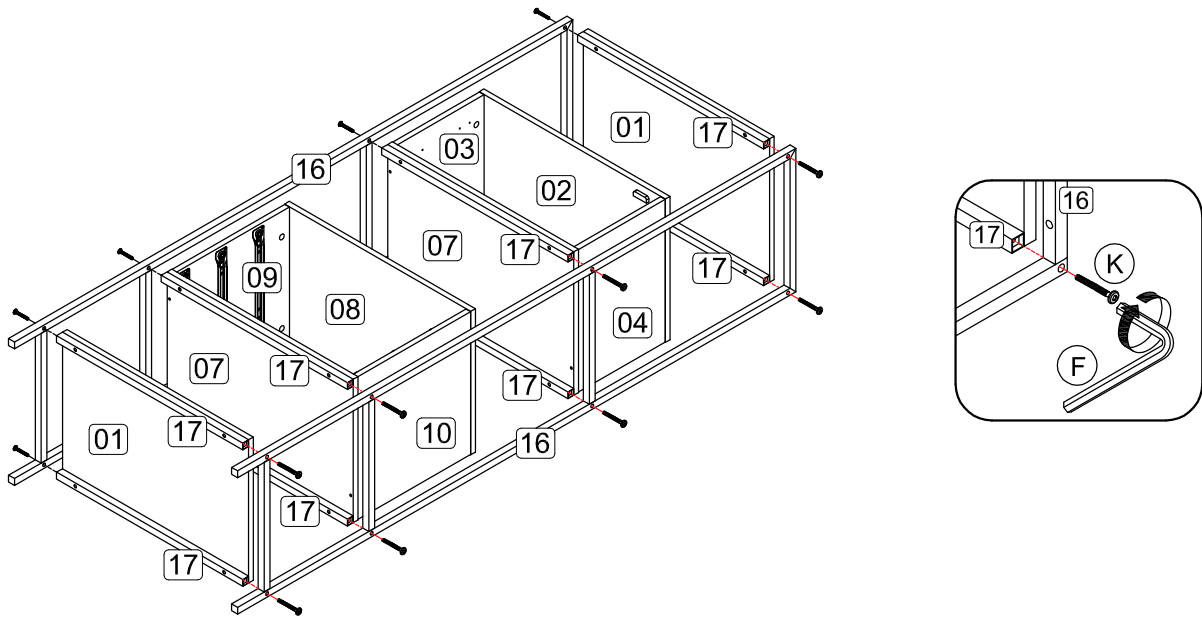
Step 3: Insert the panel (5) and (11) along the slot. **DO NOT use any power tools as this may damage the frame and will invalidate any claim.**



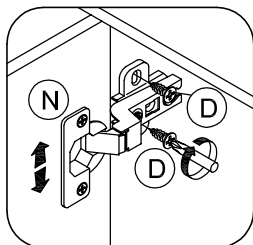
Step 4: Attach the panel (7) to panel (3) and (4) using hardware C and F. Attach the panel (7) to panel (9) and (10) using hardware C and F. **DO NOT use any power tools as this may damage the frame and will invalidate any claim.**



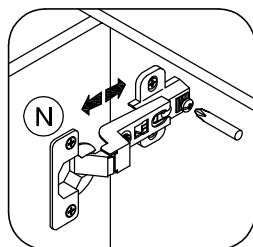
Step 5: Attach the Metal Side (16) to Metal Middle (17) using hardware K and F.
DO NOT use any power tools as this may damage the frame and will invalidate any claim.



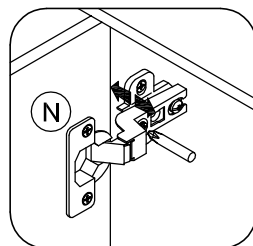
Step 6: Attach panel (6) to panel (3) using hardware D with a screwdriver (not provided).
DO NOT use any power tools as this may damage the frame and will invalidate any claim.



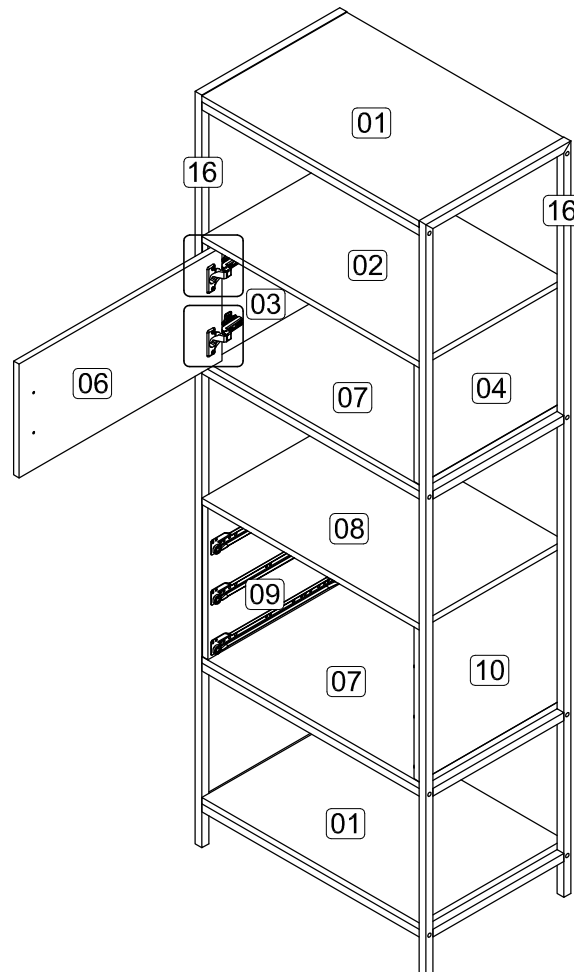
Vertical Adjustment



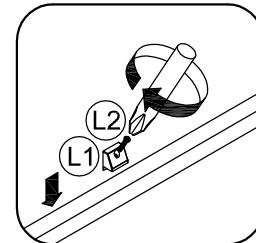
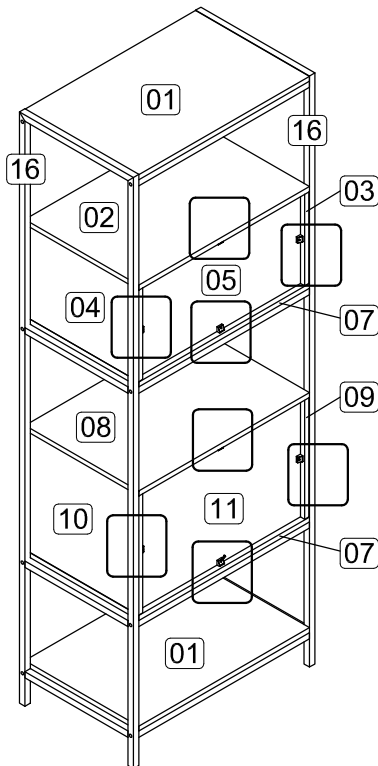
Horizontal Adjustment



Depth Adjustment



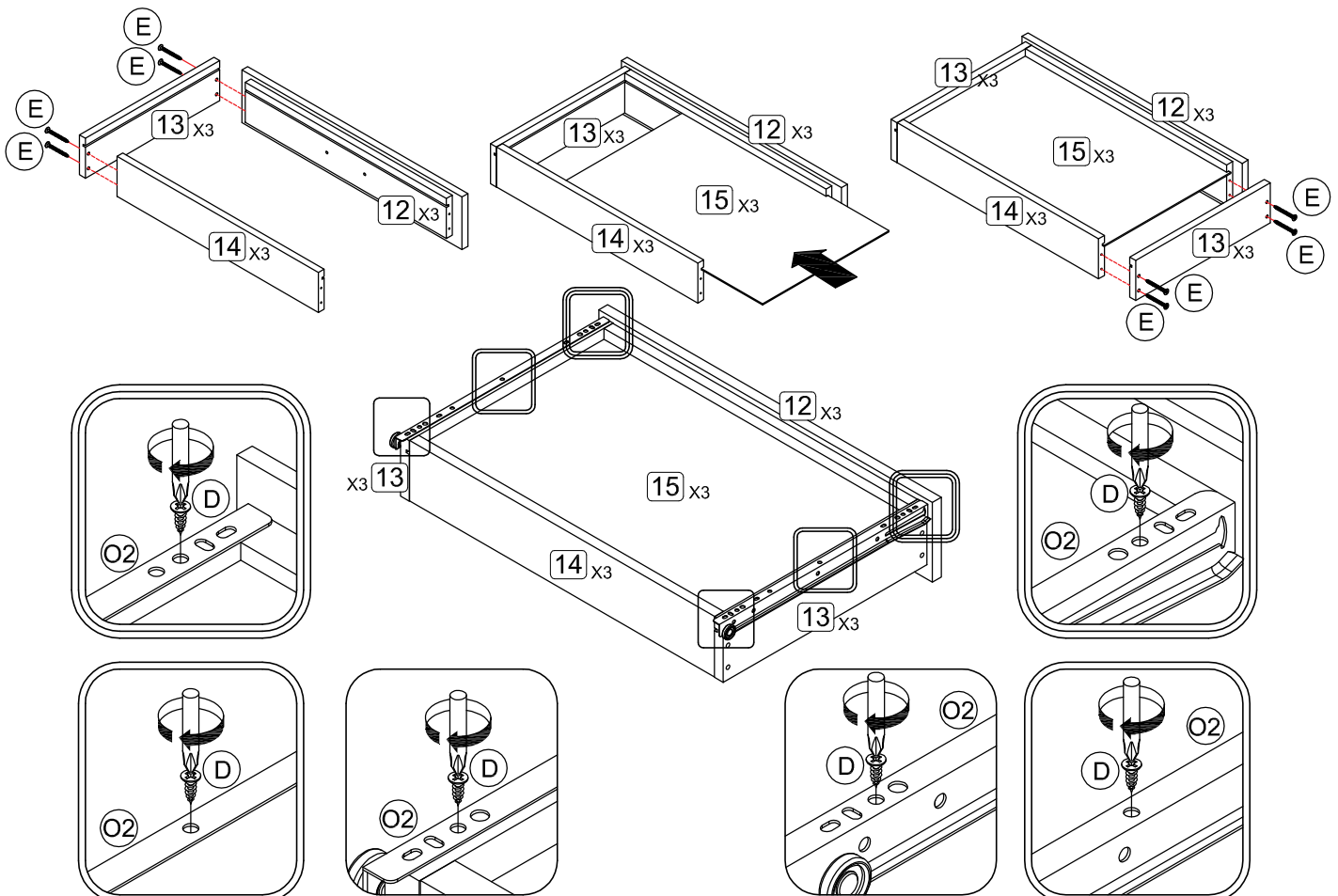
Step 7: Attach hardware L1 into panel (2), (3), (4) and (7) using hardware L2 with a screwdriver (not provided). Attach hardware L1 into panel (7), (8), (9) and (10) using hardware L2 with a screwdriver (not provided). **DO NOT use any power tools as this may damage the frame and will invalidate any claim.**



Step 8: Assemble the drawer components using hardware D, E and O2.

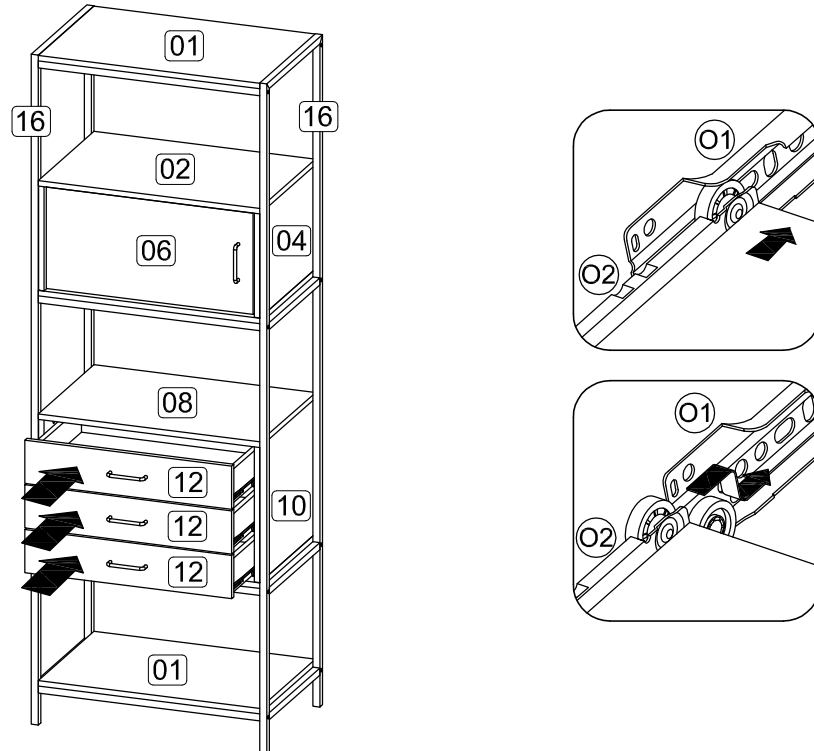
In this step only show one of the drawers.

DO NOT use any power tools as this may damage the frame and will invalidate any claim.



Step 9: Assemble the drawers in place along the drawer slides.

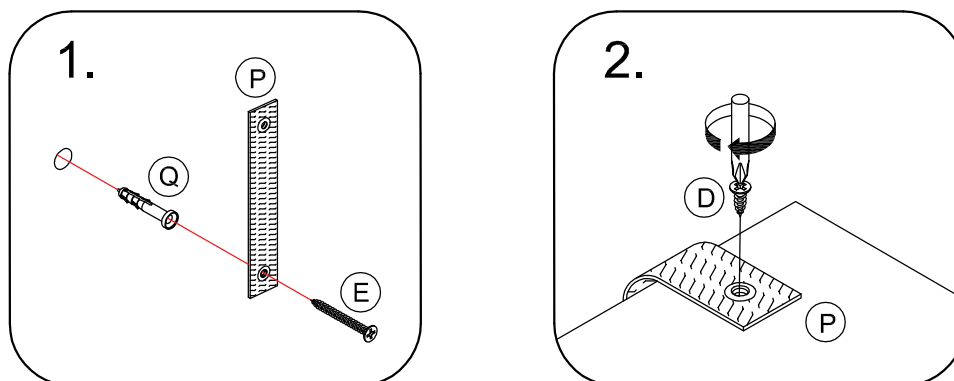
DO NOT use any power tools as this may damage the frame and will invalidate any claim.



Step 10: To secure the item to the wall use hardware E, P and Q using a screwdriver (not provided).

Then attach hardware part P to the panel (1) using hardware D with a screwdriver (not provided).

DO NOT use any power tools as this may damage the frame and will invalidate any claim.



PLEASE NOTE that wall fixings are not supplied as different wall materials require different fixing devices. You must use fixings devices suitable for the type of wall you intend to mount product to. Ensure the head of any screw used has a diameter greater than the mounting hole and the fixing is safe and secure before use.

Birlea Furniture advise you use the wall straps provided to further enhance the safety of this product.

Additional Information:

- For complete product information, images and dimension diagrams please visit the website www.birlea.com
- If you have any issues with your item please contact the retailer directly you purchased it from who will be able to resolve any issues with Birlea.
- Why don't you send us photos of your assembled furniture to info@birlea.com to be shared in our #birleahome feature on instagram.



Birlea

Suppliers of inspiration