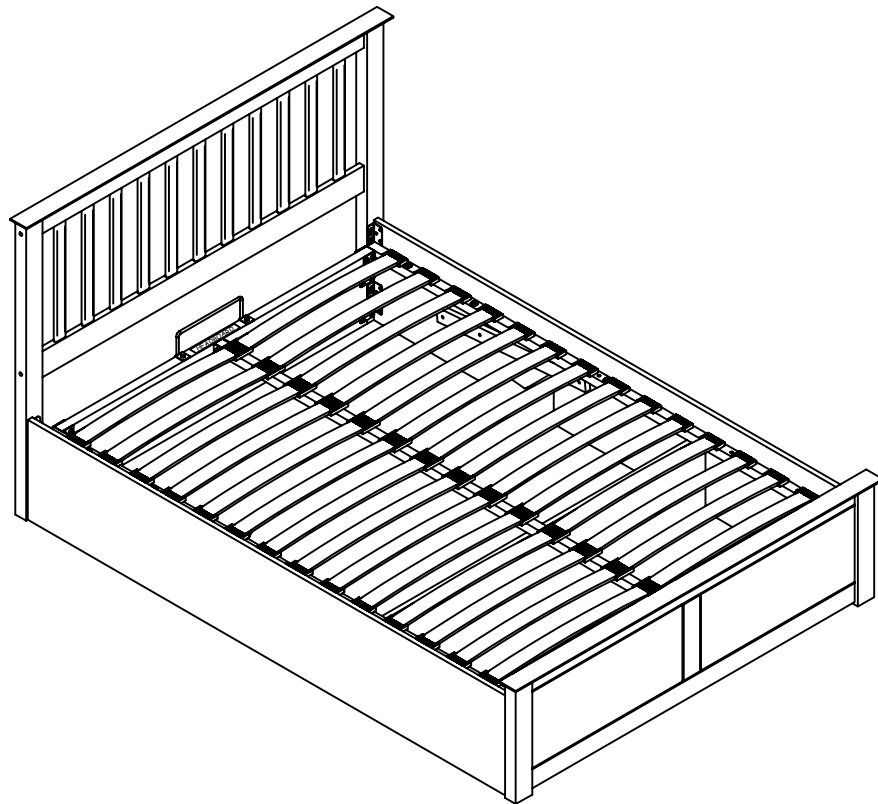


MALMO STORAGE BED

4'FT6

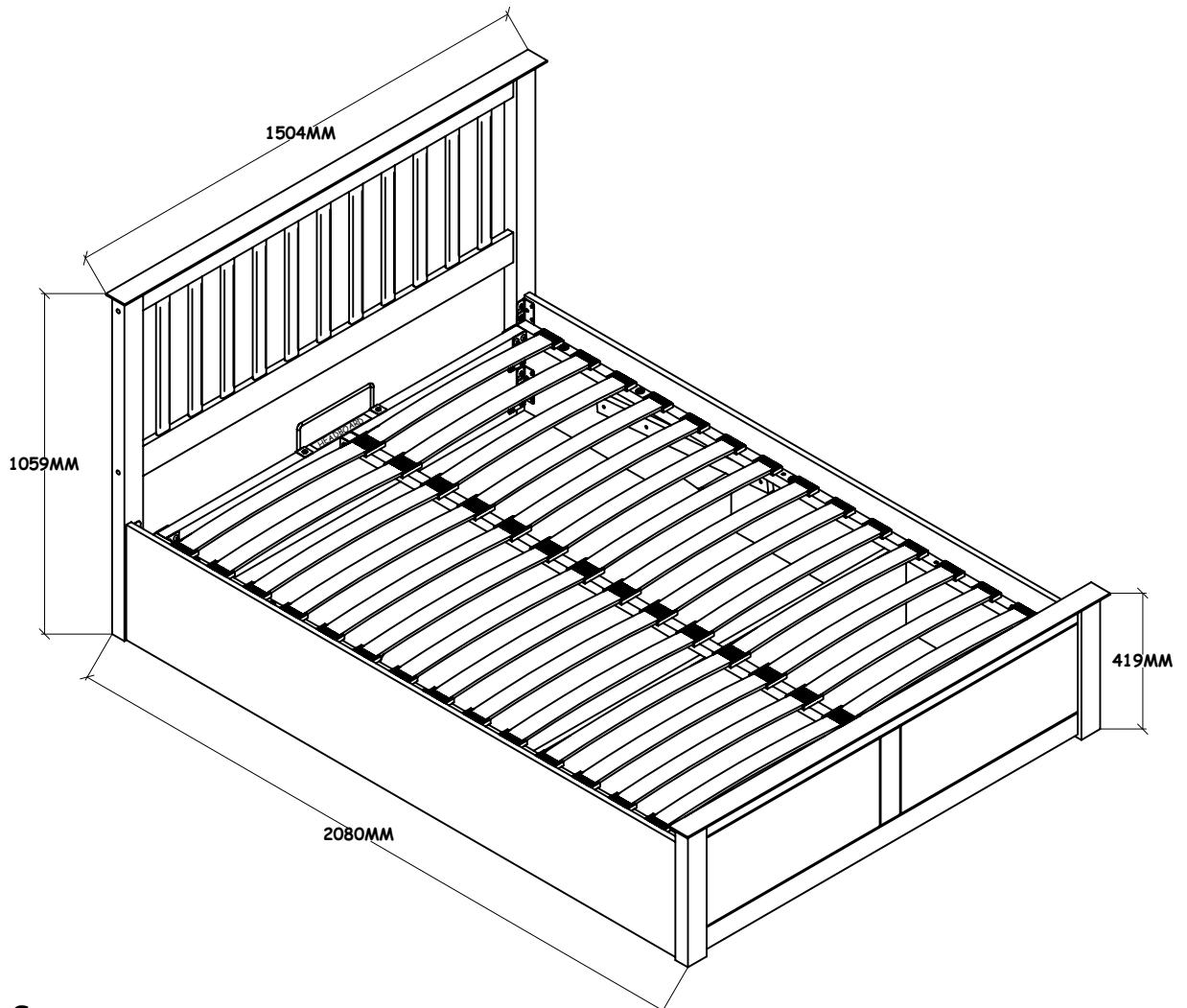
ASSEMBLY INSTRUCTIONS



DIMENSIONS

MALMO STORAGE BED

4'FT6



Storage Space

(L) 1965MM x (W)1400MM x (H)275MM

ALL DIMENSION ARE APPROXIMATE.

Important informations

Please take the time to carefully read through the whole of these instructions before you commence.

Keep these instructions for future reference.

Unpack, inspect and check aof all of the contents.

Please dispose of all packing safely.

Small components parts could choke a child if swallowed.

We strongly recommend that you keep children well away from the work area.

It would be sensible to lay a sheet or blanket on the floor where you intend to work to avoid scratching this product and protect your floor.

This product is heavy. Take extreme care when lifting to avoid personal injury or damage to the product.

This bed is heavy. Always lift the bed with to people.

Assemble the product as close to its intended final position in the room as possible.

Keep any sharp object away from the bed frame.

HANDY HINT: If you keep the hardware in a bowl during assembly you will be less likely to lose them.

HEALTH & SAFETY

DO NOT: jump on this bed frame.

DO NOT: use this bed frame if any parts are missing, damaged or worn.

DO NOT: use this bed frame unless all fixings are secured.

DO NOT: push the bed frame as this will damage the legs.

Always lift the bed frame with two people to reposition.

Always use on a level, even surface.

Following installation of the mechanism lift / pull the base up and down a few times to free of the system-the gas cylinders fitted to the system may be stiff when first time used or if the system has not been operated for a period of time. The mattress must be fitted to the base.

Use the strap handle to lift up the mattress base using tow hands-Pull the mattress base down using two hand equally spaced from the mattress.

WARNING: If this bed is placed on a non-carpeted floor you must place some protection under all legs to stop the bed frame from moving. If this is not adhered to there is no guarantee if the bed frame collapses.

WARNING: This storage bed frame has a powerful, mechanism and after assembly should only be opened when mattress is in place.

CAUTION

DO NOT: allow children to operate the mechanism.

DO NOT: allow children near the lift base when operating the mechanism.

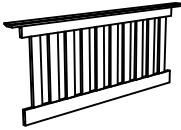

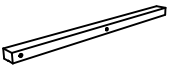
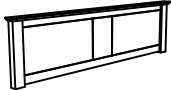
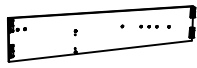
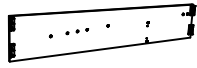
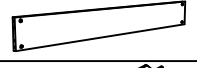

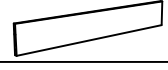
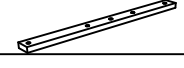
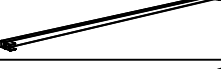




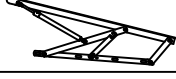
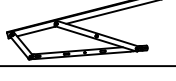
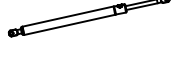
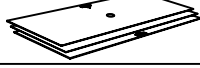
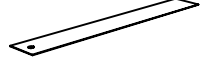
DO NOT: allow children in the area of the internal storage base.











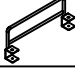










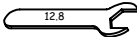
Keep hands clear of the mechanism when operating the system.

DO NOT: stand inside the bed / on the internal storage base.


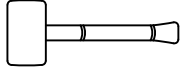

DO NOT: overload the internal storage.

Parts List

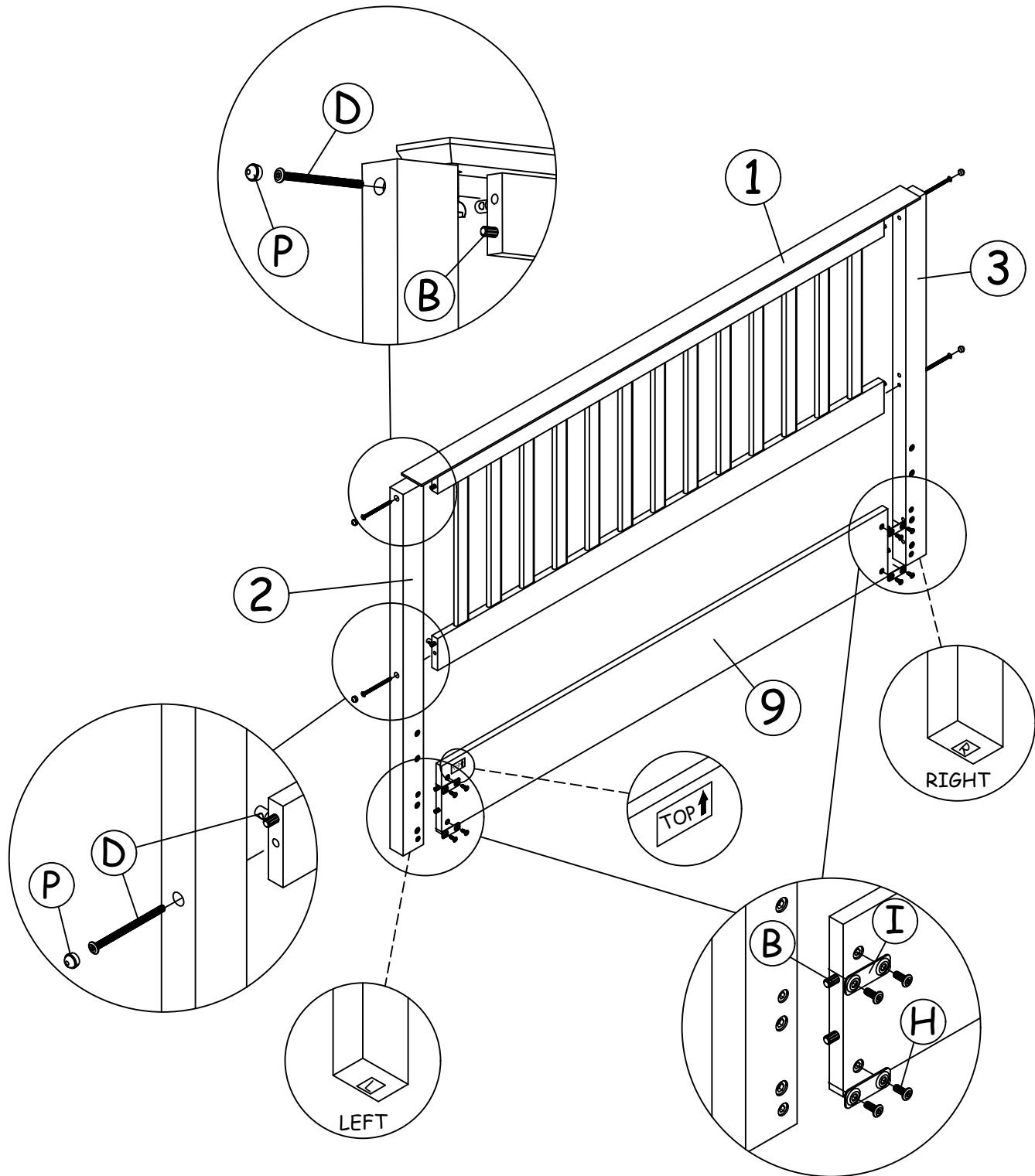
Parts	Description	Qty	Box
1	Headboard Frame 	1	1 / 4
2	Left Wooden Post 	1	2 / 4
3	Right Wooden Post 	1	
4	Footboard 	1	1 / 4
5	Left Side Rail 	1	4 / 4
6	Right Side Rail 	1	
7	Centre Storage Panel 1 	1	
8	Centre Storage Panel 2 	1	
9	Back Storage Panel 	1	
10	Hydraulic Arm Spacer 	2	3 / 4
11	Side Metal Bar 	2	
12	End Metal Bar (HEADBOARD) 	1	
13	End Metal Bar (FOOTBOARD) 	1	
14	Center Metal Bar 	1	
15	Slat 	28	
16	Left Hydraulic Base Support c/w Pump Stopper 	1	
17	Right Hydraulic Base Support 	1	
18	Hydraulic Base Pump 	2	1 / 4
19	Bottom Base Panel - Big 	3	
20	Bottom Base Panel - Small 	1	

Hardware List (Found in box #)			
Parts	Description	Qty	Box
A	Mini Fix 	8	3 / 4
B	8 x 30 mm Wooden Dowel 	16	
C	Metal Corner Block 	2	
D	M6 x 90 mm RBW + Barrel Nut 	4	
E	M8 x 25 mm JCBB Bolt RBW 	16	
F	M8 x 15 mm JCBB Bolt RBW 	8	
G	M8 x 35 mm JCBB Bolt (BLACK) 	10	
H	M6 x 15 mm JCBC Bolt RBW 	8	
I	Bracket 20mm x 58mm 	4	
J	Base Handle (HEADBOARD) 	1	
K	Base Handle (FOOTBOARD) 	1	
L	M6 x 40 mm JCBC Bolt BLK 	14	
M	M8 x 45 mm JCBB Bolt RBW with Nut Bracket, Spring & Flat Washer 	6	
N	Single Slat Cap 	28	
O	Double Slat Cap 	14	
P	Wooden Button 	4	
Q	M4 Allen Key 	1	3 / 4
R	M5 Allen Key 	1	
S	Flat Washer BLK 	8	
T	Nut Bracket 	4	
U	Self adhesive 4mm X 35mm 	2	
V	M12.8 Spanner 	1	

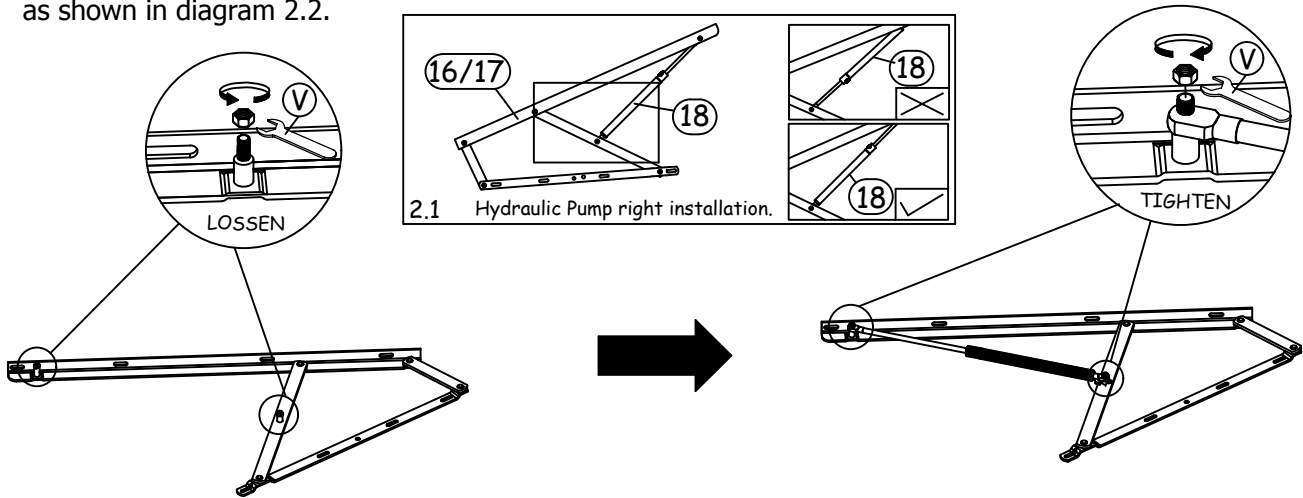
** You will also need a screwdriver and small mallet (not provided).

	Rubber or Wood Hammer 	
NOT PROVIDED	NOT PROVIDED	

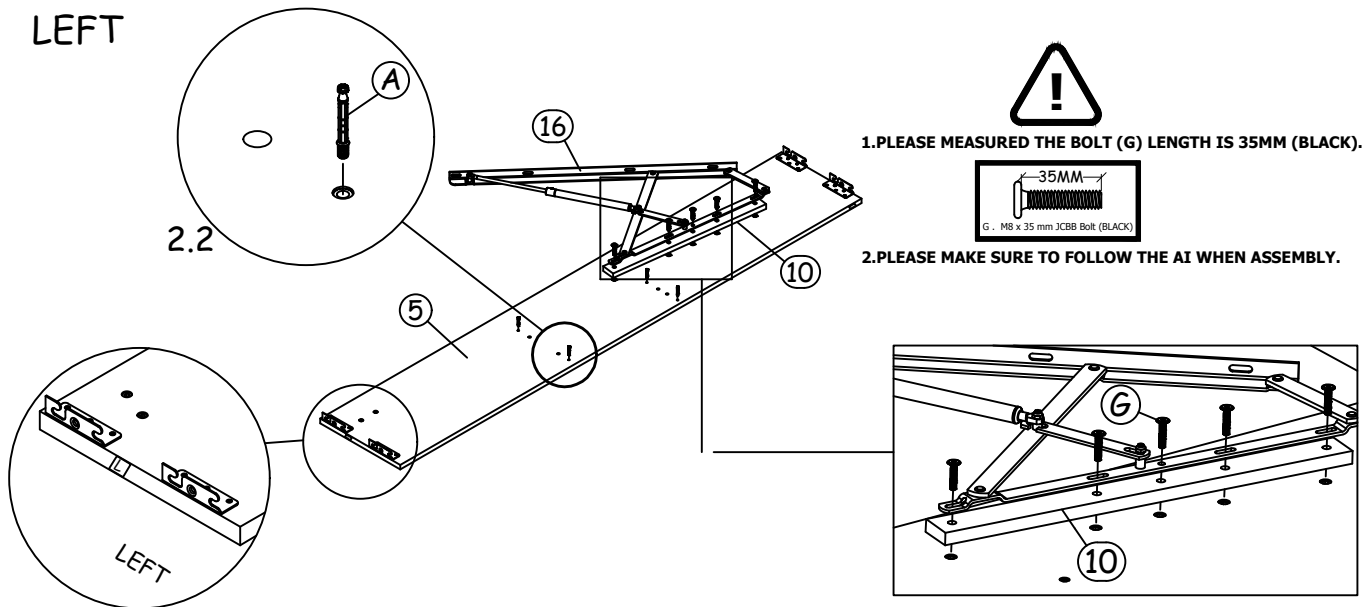
Step 1: Attach the headboard frame (1) and back storage panel (9) to the left wooden post (2) and right wooden post (3). Secure the headboard frame using hardware parts **B**, **D** and **P**, then secure the back storage panel with hardware parts **B**, **H** and **I**.
DO NOT use any power tools as this may damage the frame and will invalidate any claim.



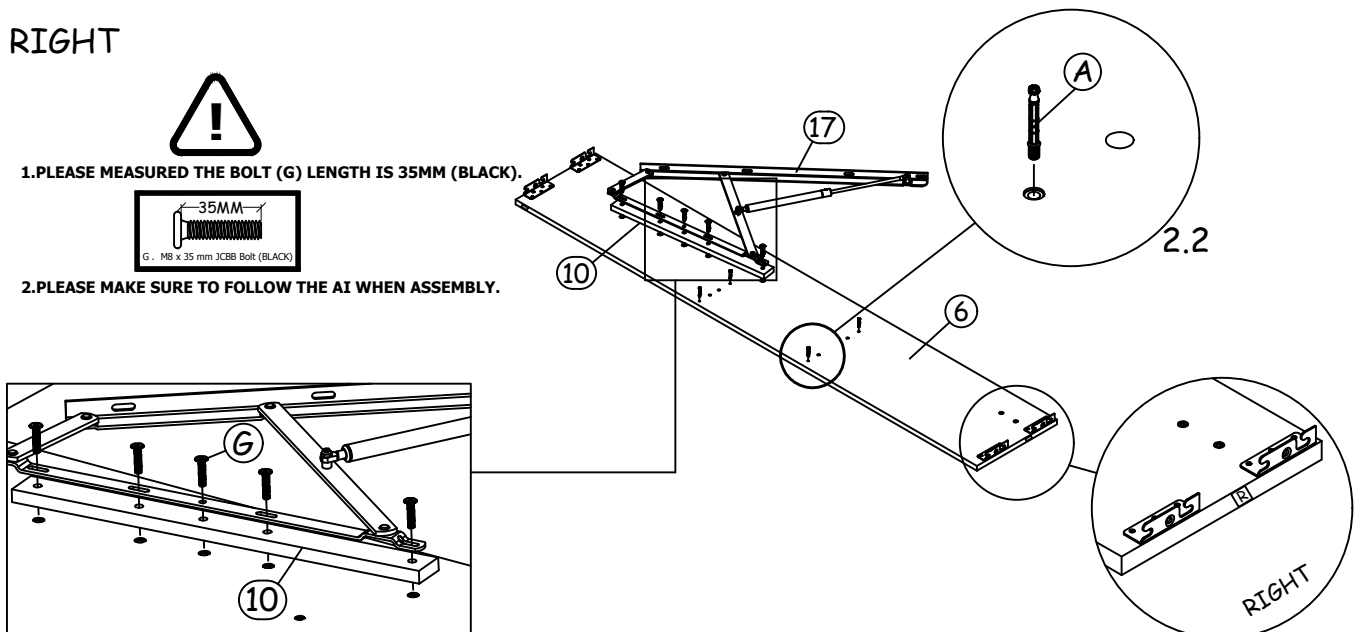
Step 2: Firstly, Loosen the **Hex Nut** from the Left & Right Hydraulic Base Support ,then fix the hydraulic pump to each hydraulic base using the same **Hex Nut & V**. (shown in diagram 2.1.)
 Next, fix the left & right hydraulic spacer together with hydraulic base supporter to the both side rails using bolts **G** and than screw the minifix part **A** to the both side rails as shown in diagram 2.2.



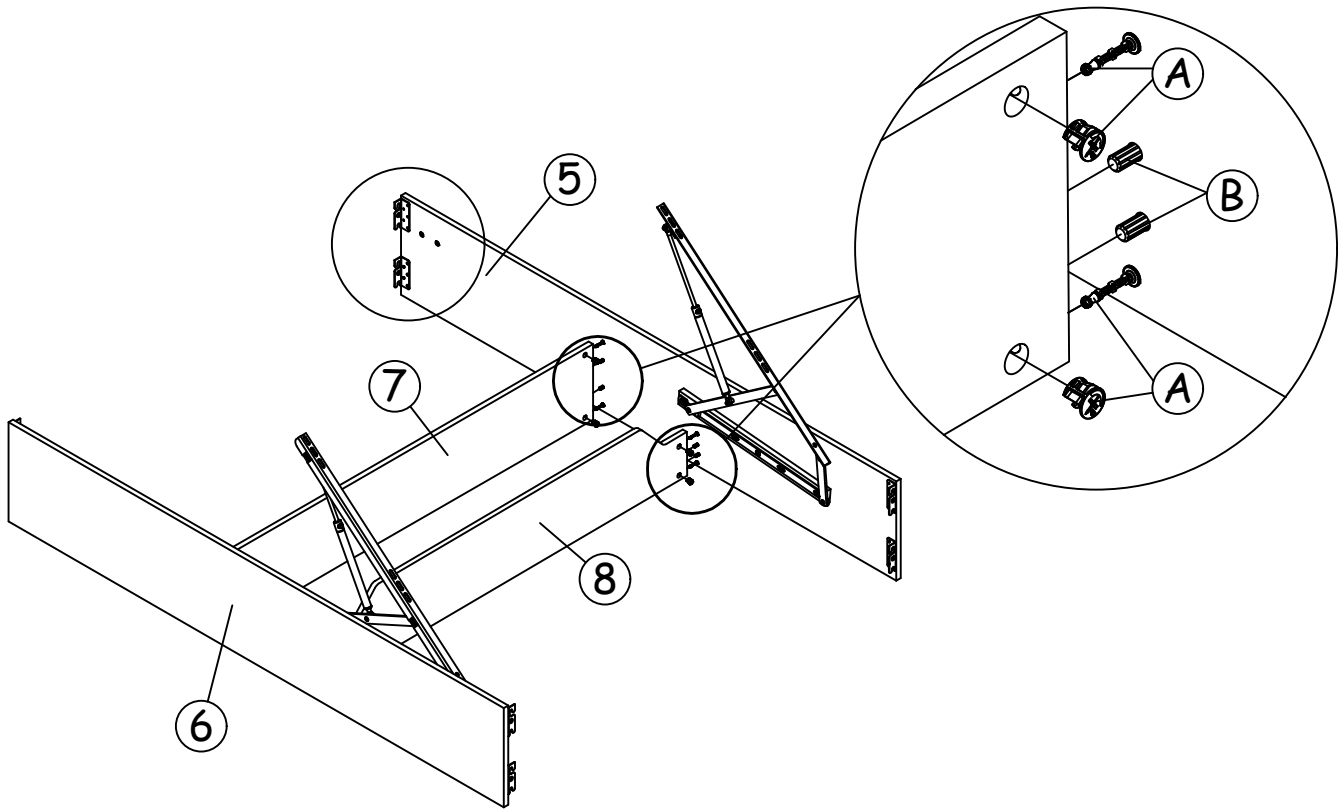
LEFT



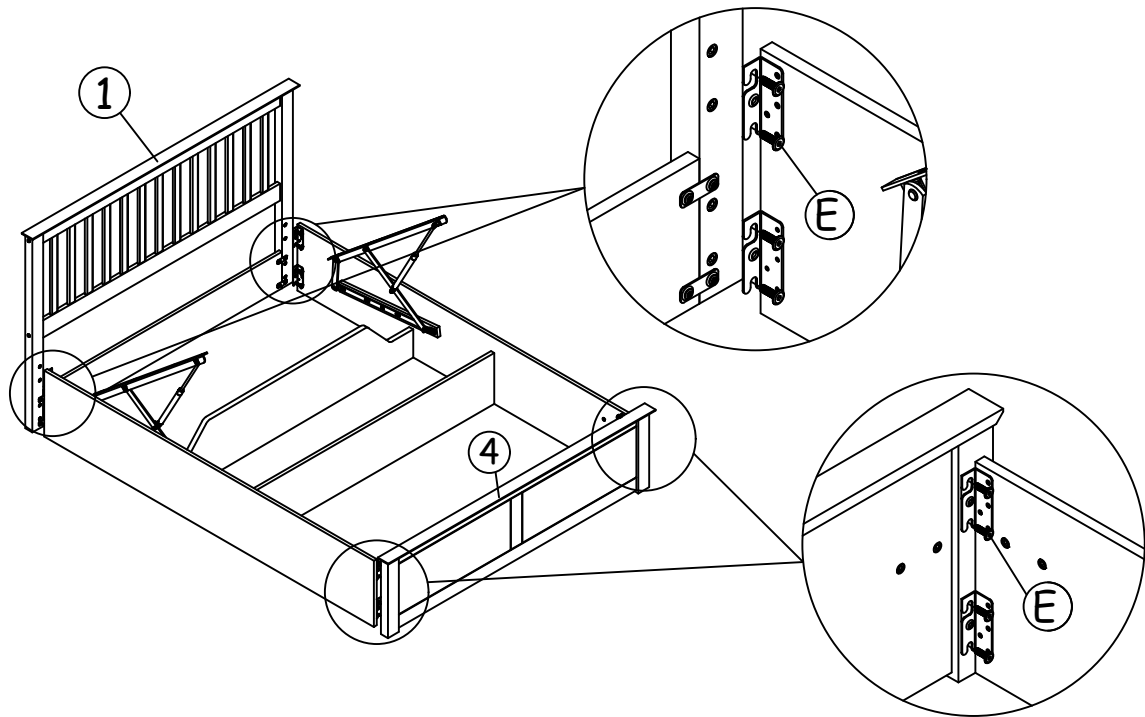
RIGHT



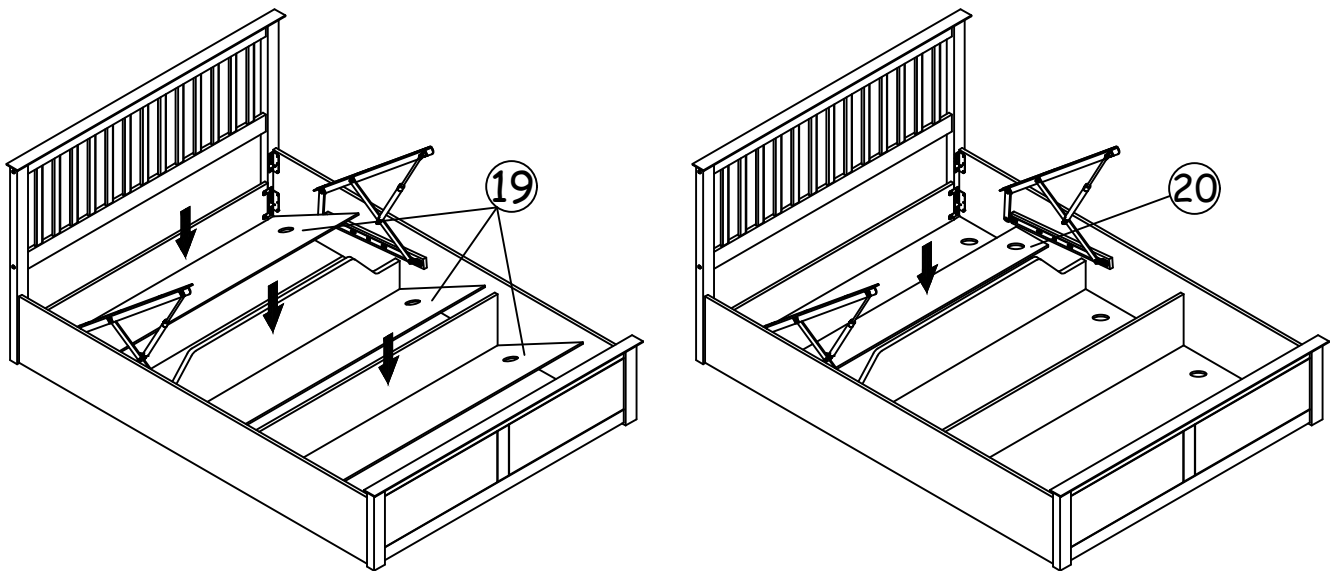
Step 3: Join together the left side rail (5) and right side rail (6) with the centre storage panels ① (7) and centre storage panels ②(8) by using hardware parts **A** and **B**.
DO NOT use any power tools as this may damage the frame and will invalidate any claim.



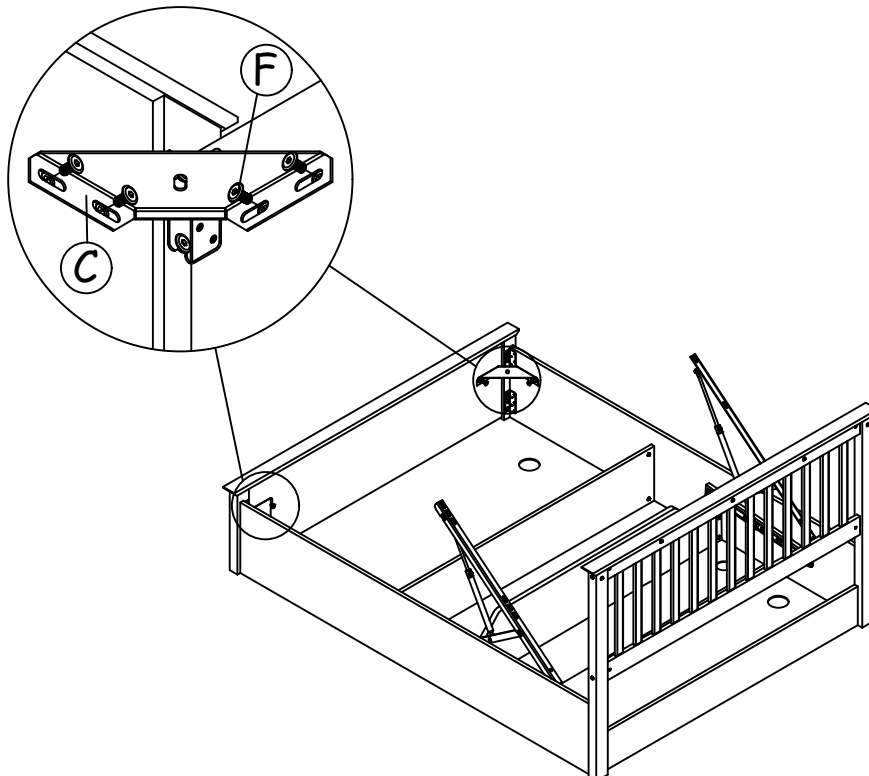
Step 4: Attach the headboard frame (1) and footboard (4) using hardware part **E**.
DO NOT use any power tools as this may damage the frame and will invalidate any claim.



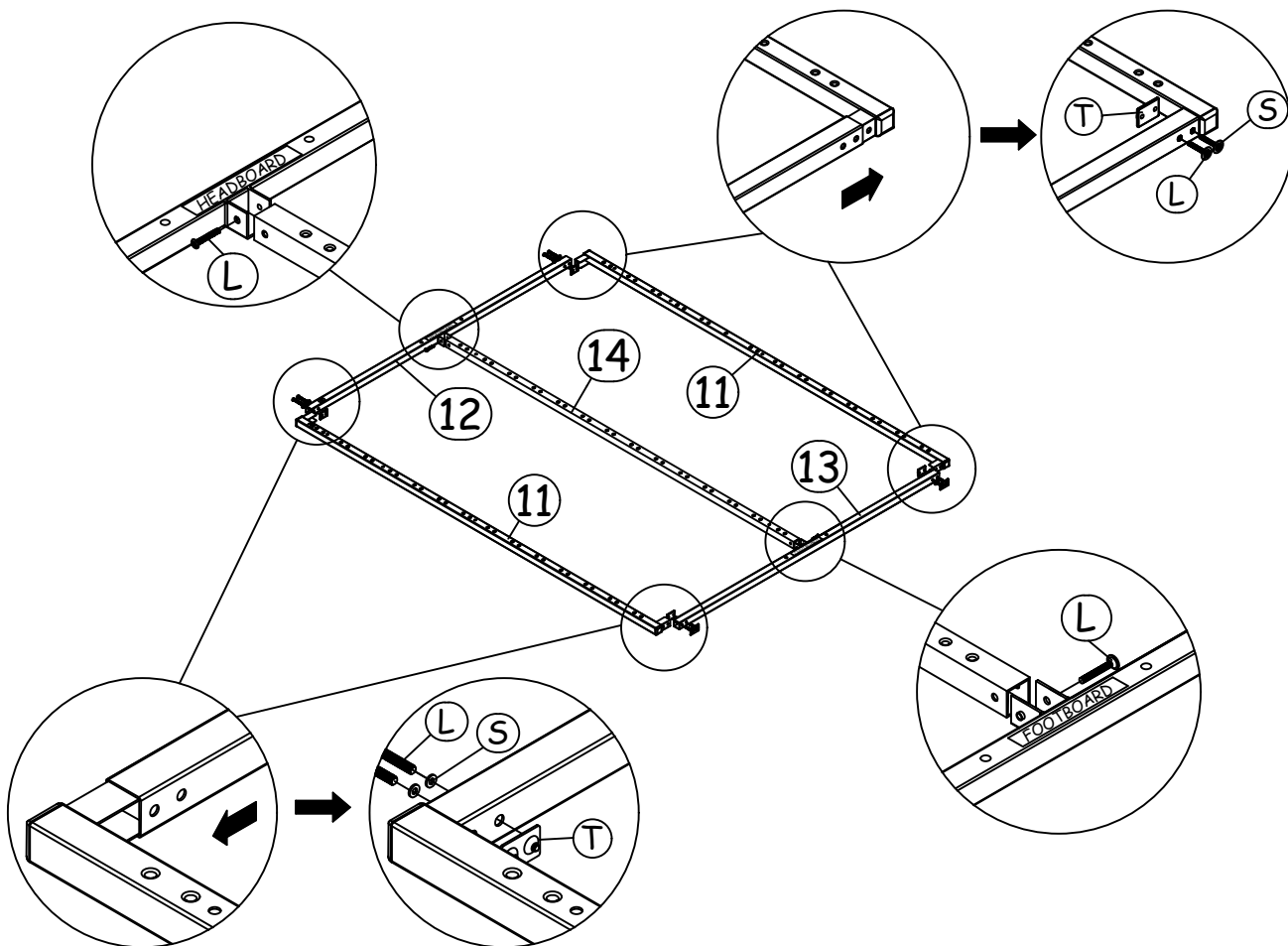
Step 5: Insert the large base panel (19) and small base panel (20) .
DO NOT use any power tools as this may damage the frame and will invalidate any claim.



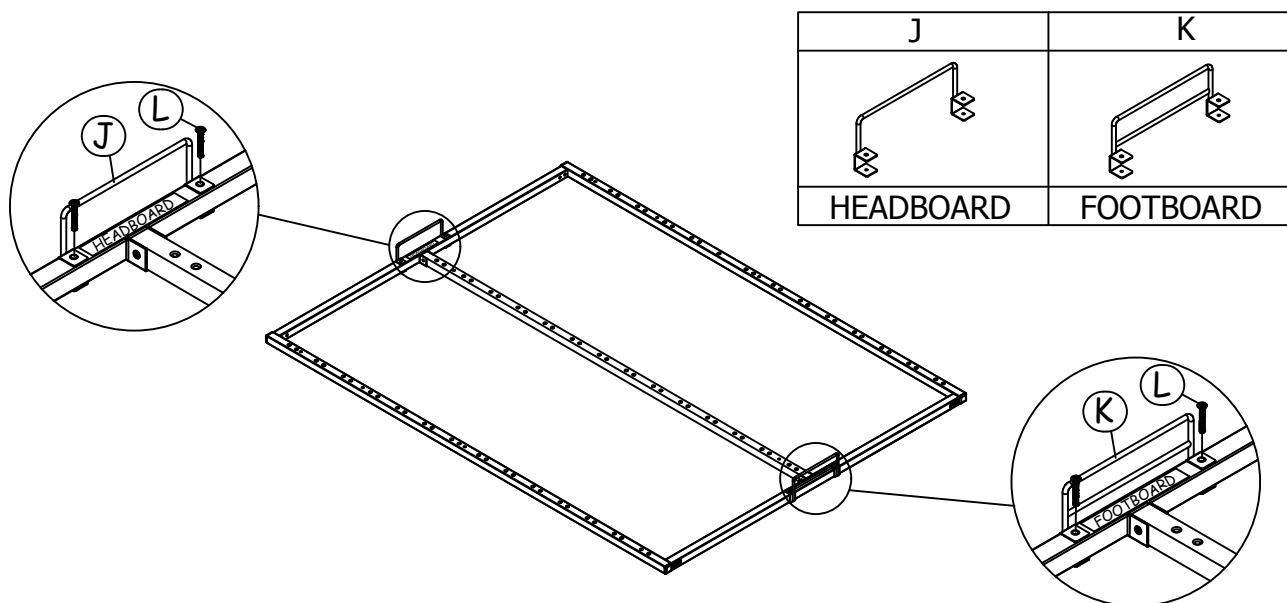
Step 6: Fix metal corner block **C** to the edge of footboard and side rails with bolt **F** as shown.
DO NOT use any power tools as this may damage the frame and will invalidate any claim.



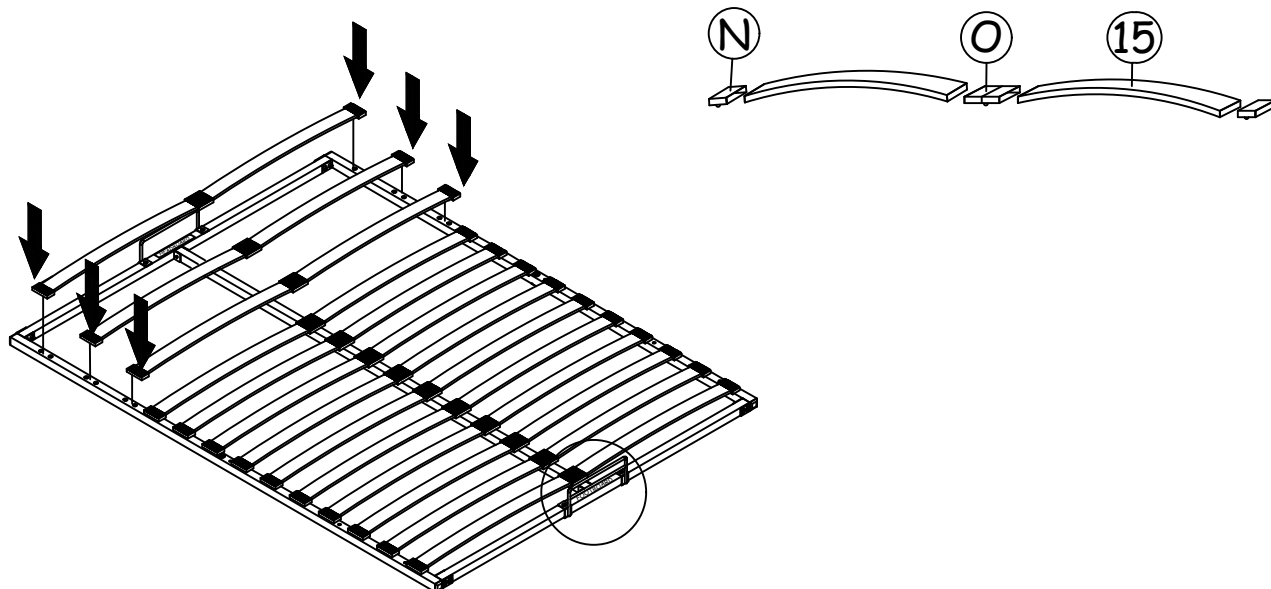
Step 7: Join together all the bed base parts (11),(12),(13) and (14) by using hardware parts L,S,T.
Important note: Please assemble follow arrow direction.
 DO NOT use any power tools as this may damage the frame and will invalidate any claim.



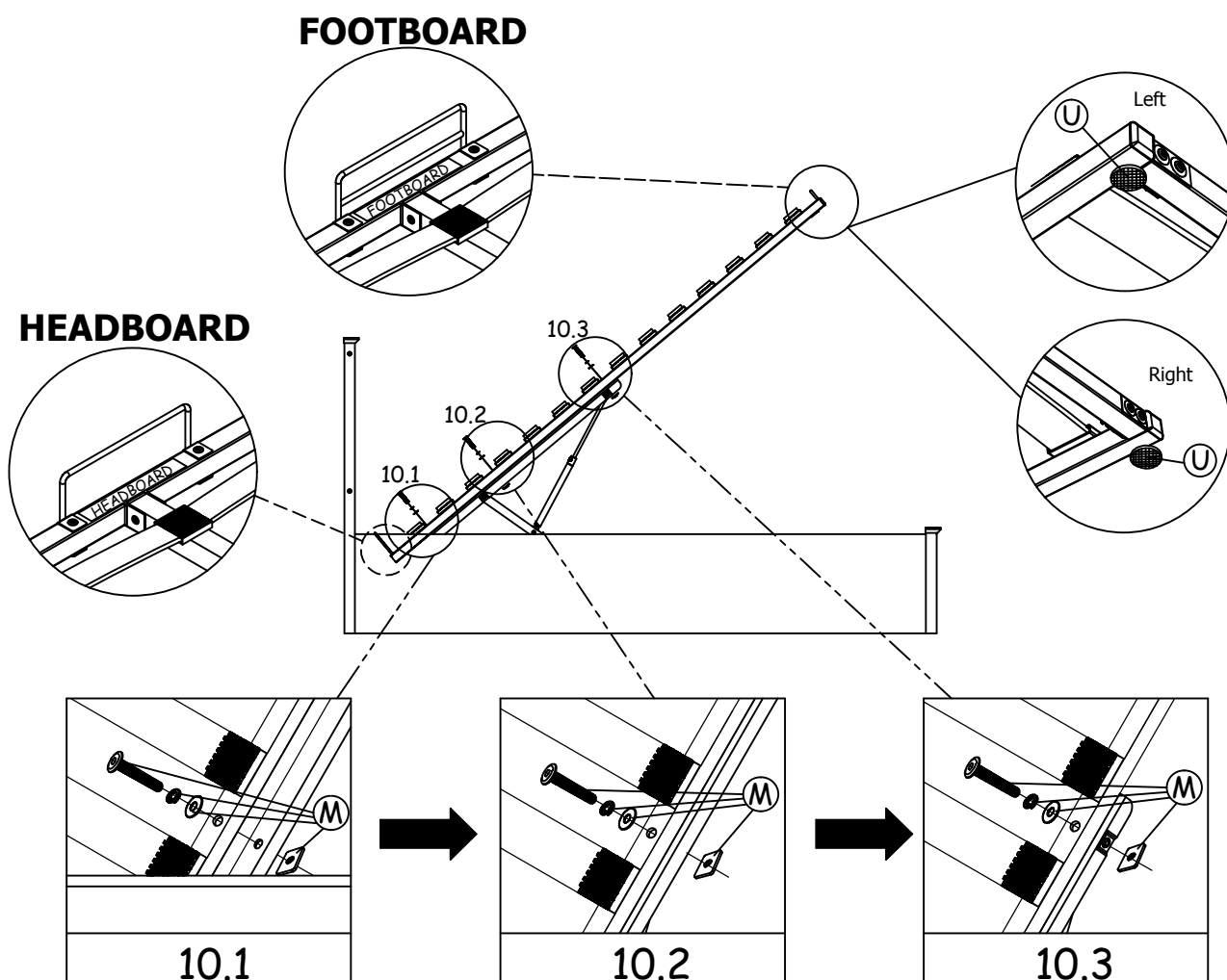
Step 8: Attach hardware parts J and K using hardware part L.
Important note: Please assemble follow arrow direction.
 DO NOT use any power tools as this may damage the frame and will invalidate any claim.



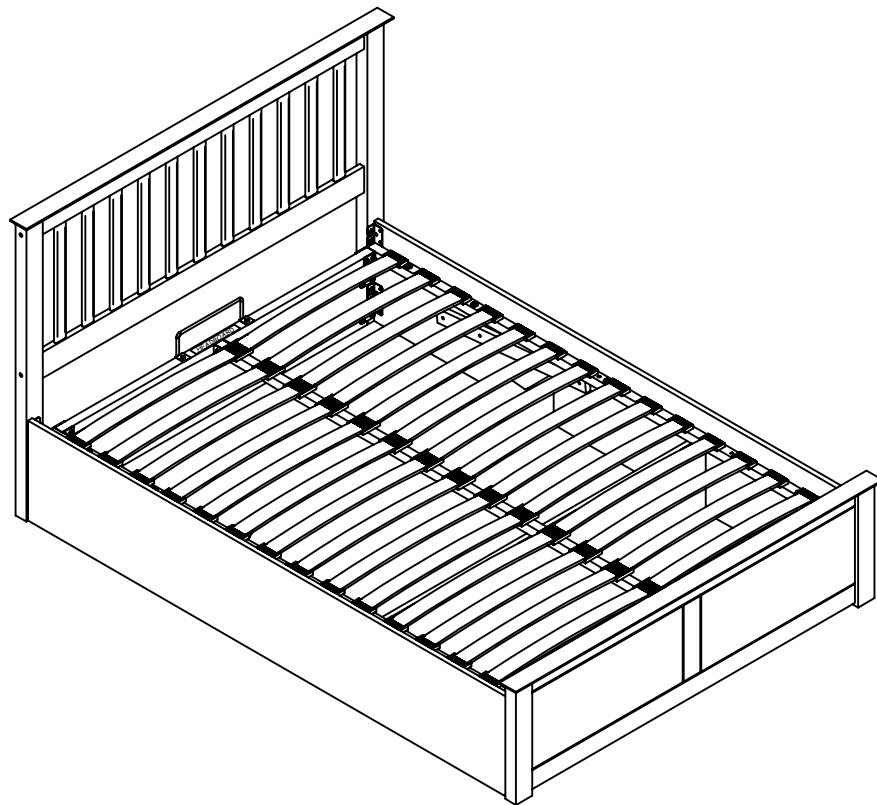
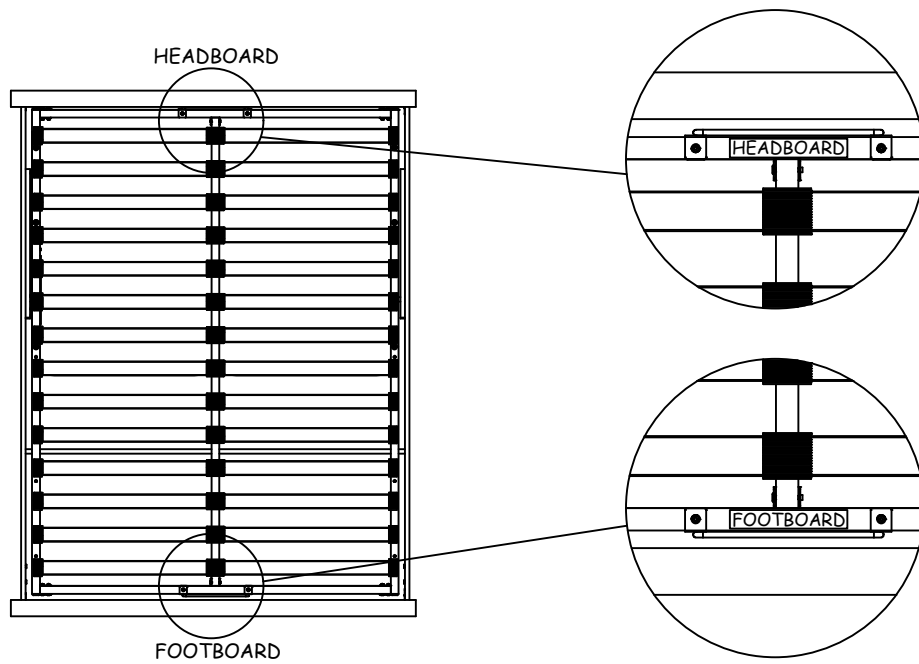
Step 9: Insert the slats (15) to hardware parts **N** and **O** then press into the base making sure they are secure.
 DO NOT use any power tools as this may damage the frame and will invalidate any claim.



Step 10: Assemble the bed base on the right & left hydraulic frame and fix bolts **M** starting from ' 10.1 ' to 10.3 ' as shown and stick it the self adhesive **U** as shown.
 Important note : **Do not tighten the bolts yet!**, and this assemble must be done by two persons.



Step 11: Tighten all bolts and screws now. Top view of assembly bed.
DO NOT use any power tools as this may damage the frame and will invalidate any claim.

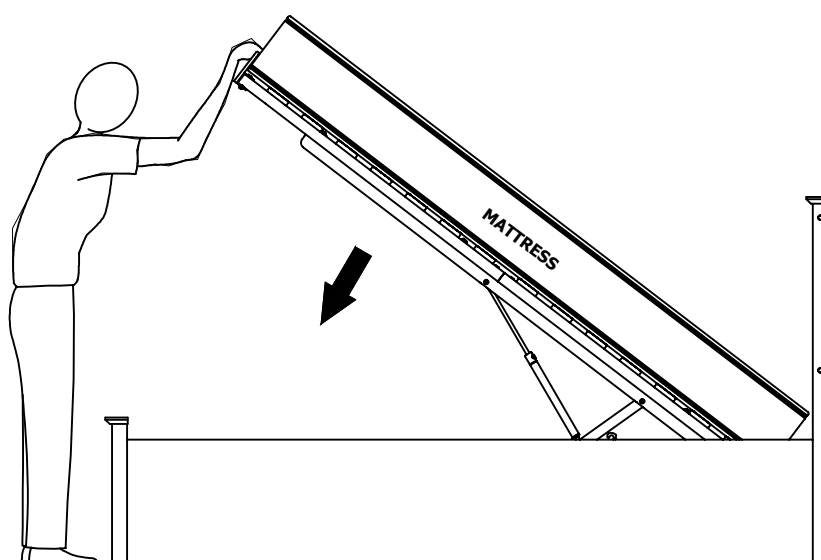


IMPORTANT NOTE

WHEN THE BED IS BUILT AND THE MATTRESS FRAME IS AT 45 DEGREE ANGLE PLEASE PLACE THE MATTRESS ON THE BED.

PLEASE NOTE THAT THE WEIGHT OF THE MATTRESS IS REQUIRED TO HELP CLOSE THE BED.

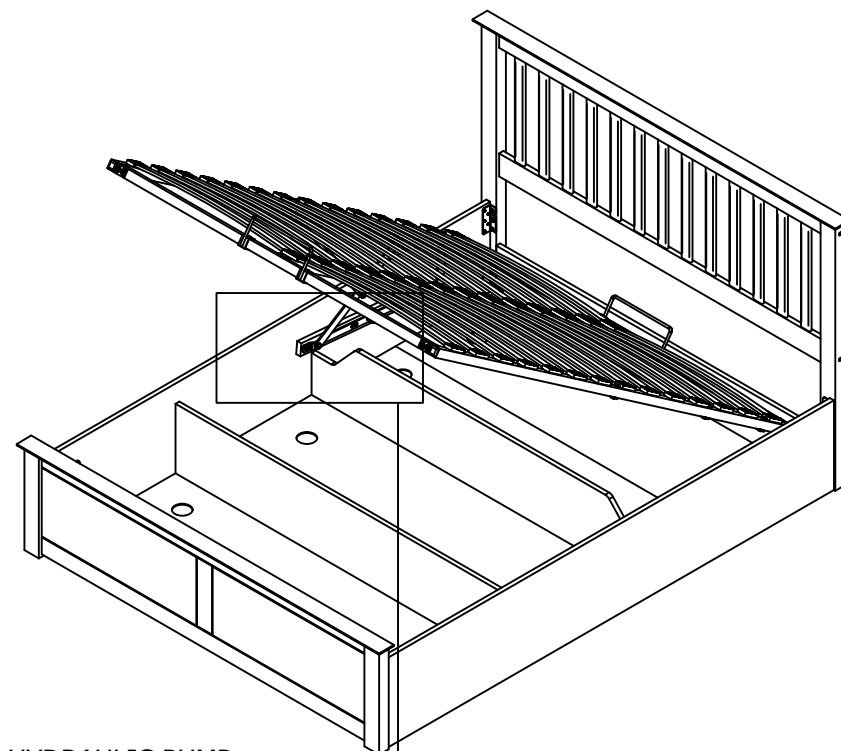
TO LOWER THE SLEEPING PLATFORM STAND AT THE FOOT END OF THE BED AND PUSH SHARPLY DOWNWARDS USING BOTH HANDS.



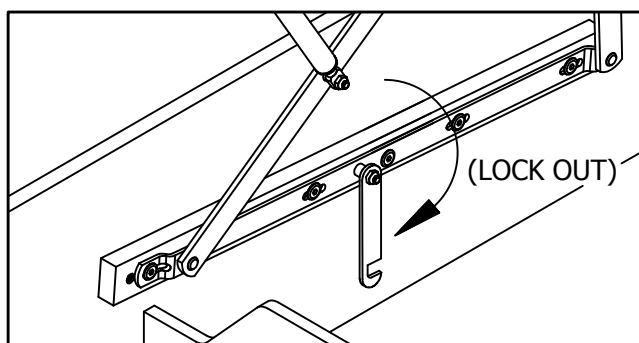
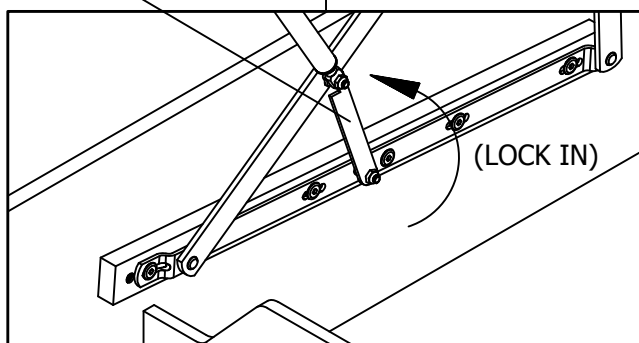
WARNING: Take care when assembling the base. Assemble the ottoman as closed to its final position. The Ottoman has a powerful, mechanism and after assembly should only be opened when the mattress is in place.

CAUTION :

PLEASE USE HYDRAULIC PUMP STOPPER FOR SAFETY PURPOSE.



HYDRAULIC PUMP
STOPPER



General Care

Wipe clean with a slightly damp soft cloth.

Avoid the use of all household cleaners and abrasives.

When moving your furniture, carefully lift into place. never drag or push the pieces across the floor as this will cause damage to the joints and could result in failure to the product that will invalidate the warranty.

Recommendations

Periodical re-tightening of fixings.

Warning

This bed frame is heavy. Please use an assistant when lifting.

Notes

We've tried to make this bed frame as easy to assemble as possible. In the unlikely event that you have problems putting it together or damaged or missing pieces, please contact your retailer directly you purchased it from who will be able to resolve any issues.