

ASSEMBLY INSTRUCTIONS
MALMO STORAGE BED 4'FT

IMPORTANT: READ THESE INSTRUCTIONS CAREFULLY BEFORE ASSEMBLING OR USING YOUR WOODEN OTTOMAN 4'FT BED FRAME.

PLEASE KEEP THESE INSTRUCTIONS FOR FUTURE REFERENCE.

HEALTH & SAFETY:

DO NOT jump on this bed frame.

DO NOT use this bed frame if any parts are missing, damaged or worn.

DO NOT use this bed frame unless all fixings are secured.

Please keep small parts out of reach of children.

Always use on a level, even surface.

WARNING: If this bed is placed on a non-carpeted floor you must place some protection under all legs to stop the bed frame from moving. If this is not adhered to there is no guarantee if the bed frame collapses.

CARE & MAINTENANCE:

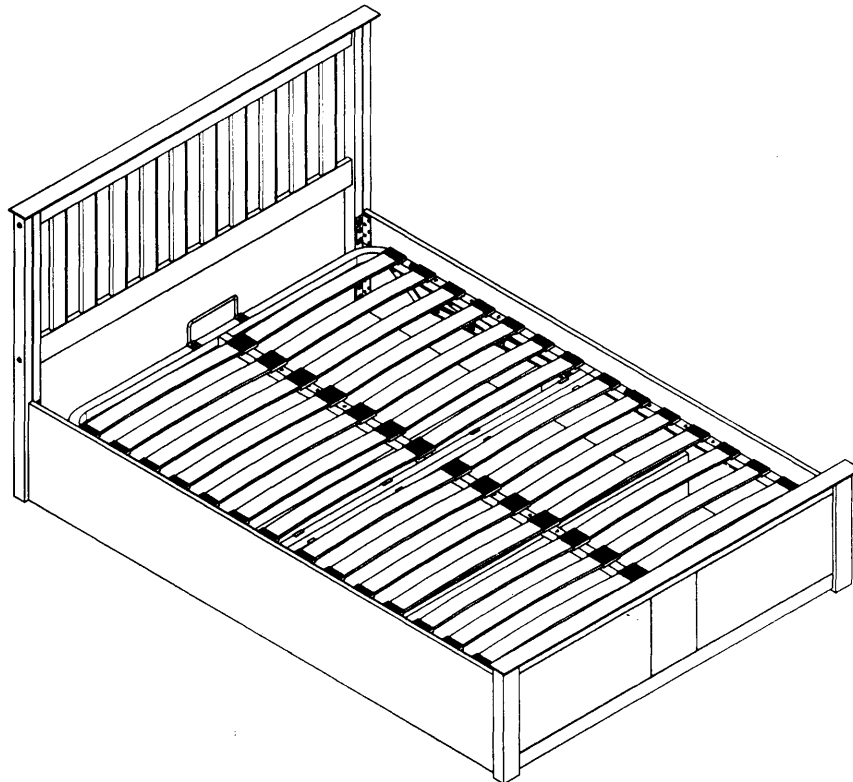
Assemble in the room of use.

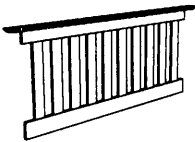

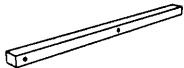
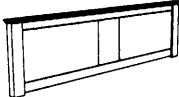
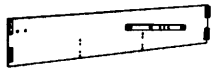

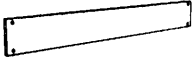
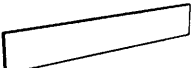
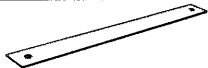


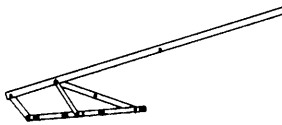
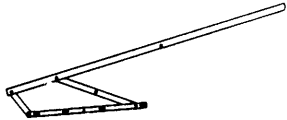
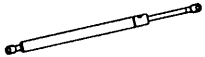
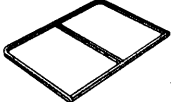
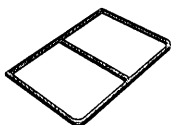
Periodically check all screws & fixings to ensure they are secure.

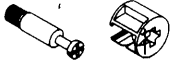









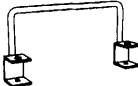









DO NOT push the bed frame as this will damage the legs.

Always lift the bed with two people to reposition.

Keep any sharp objects away from the frame.



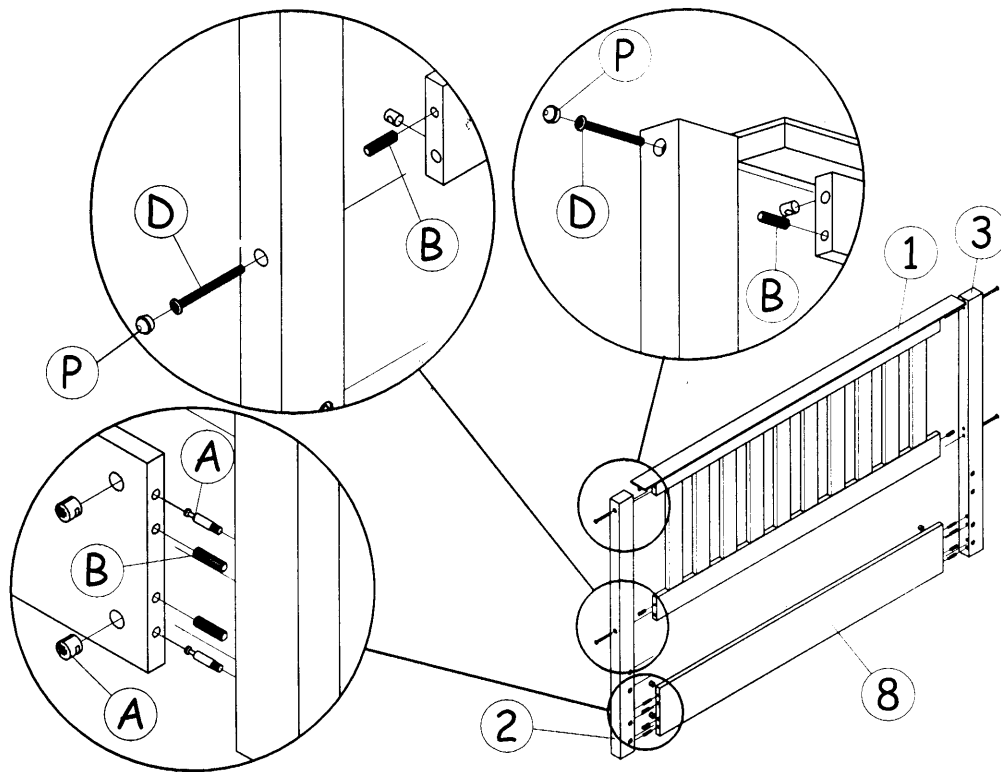
Parts List				
Parts	Description		Box	Qty
1	Headboard Frame		$\frac{1}{5}$	1
2	Left Wooden Post		$\frac{2}{5}$	1
3	Right Wooden Post		$\frac{2}{5}$	1
4	Footboard		$\frac{1}{5}$	1
5	Left Side Rail		$\frac{4}{5}$	1
6	Right Side Rail		$\frac{4}{5}$	1
7	Centre Storage Panel		$\frac{2}{5}$	2
8	Back Storage Panel		$\frac{2}{5}$	1
9	Small Base Panel		$\frac{1}{5}$	1
10	Large Base Panel		$\frac{1}{5}$	3
11	Slat		$\frac{3}{5}$	28
12	Left Hydraulic Base Support with stopper		$\frac{5}{5}$	1
13	Right Hydraulic Base Support		$\frac{5}{5}$	1
14	Hydraulic Pump		$\frac{5}{5}$	2
15	Back Bed Base		$\frac{3}{5}$	1
16	Front Bed Base		$\frac{3}{5}$	1

Hardware List (Found in box #)				
Parts	Description		Box	Qty
A	Mini Fix		3 5	12
B	8 x 30 mm Wooden Dowel		3 5	16
C	Metal Corner Block		3 5	2
D	M6 x 90 mm Barrel Nut		3 5	4
E	M8 x 25 mm JCBC Bolt		3 5	16
F	M8 x 15 mm JCBC Bolt		3 5	8
G	M8 x 20 mm JCBC Bolt		3 5	10
H	M8 x 75 mm JCBC Bolt		3 5	4
I	M8 Flat Washer		3 5	4
J	Base Nut		3 5	4
K	Base Handle		3 5	2
L	M6 x 40 mm JCBC Bolt		3 5	4
M	M8 x 45 mm Bolt with Hex Nut, Spring & Flat Washer		3 5	6
N	Single Slat Cap		3 5	28
O	Double Slat Cap		3 5	14
P	Wooden Button		3 5	4
Q	M6 Allen Key		3 5	1
R	M8 Allen Key		3 5	1
S	M12.8 Spanner		3 5	1
T	M14 Spanner		3 5	1

** You will also need a screwdriver and small mallet (not provided).

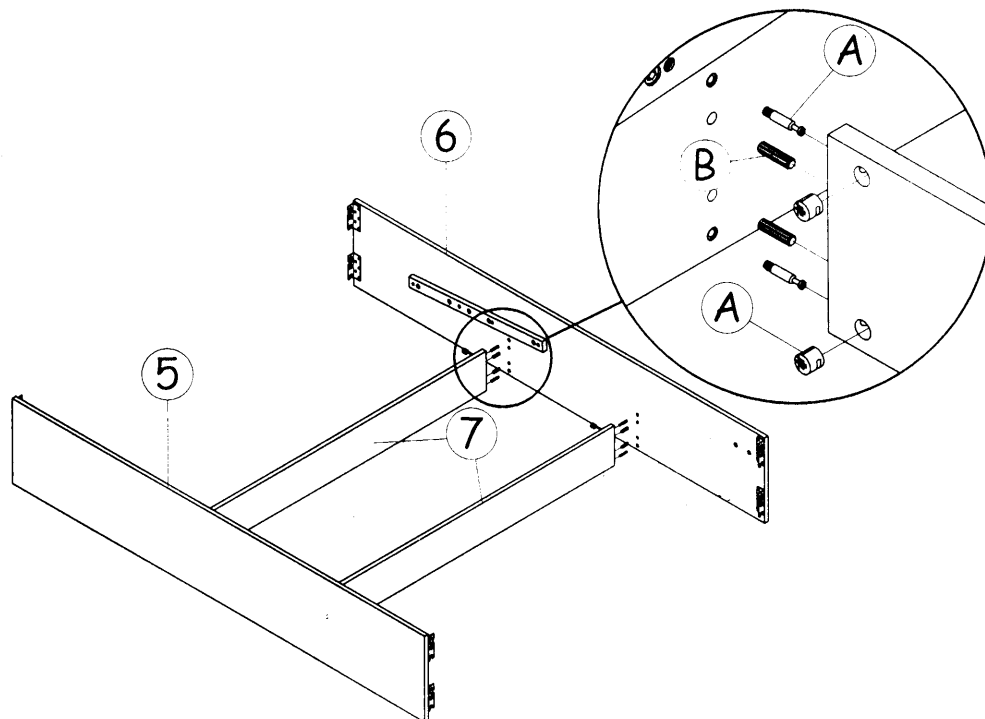
Step 1: Attach the headboard frame (1) and back storage panel (8) to the left wooden post (2) and right wooden post (3). Secure the headboard frame using hardware parts B, D and P, then secure the back storage panel with hardware parts A and B.

DO NOT use any power tools as this may damage the frame and will invalidate any claim.

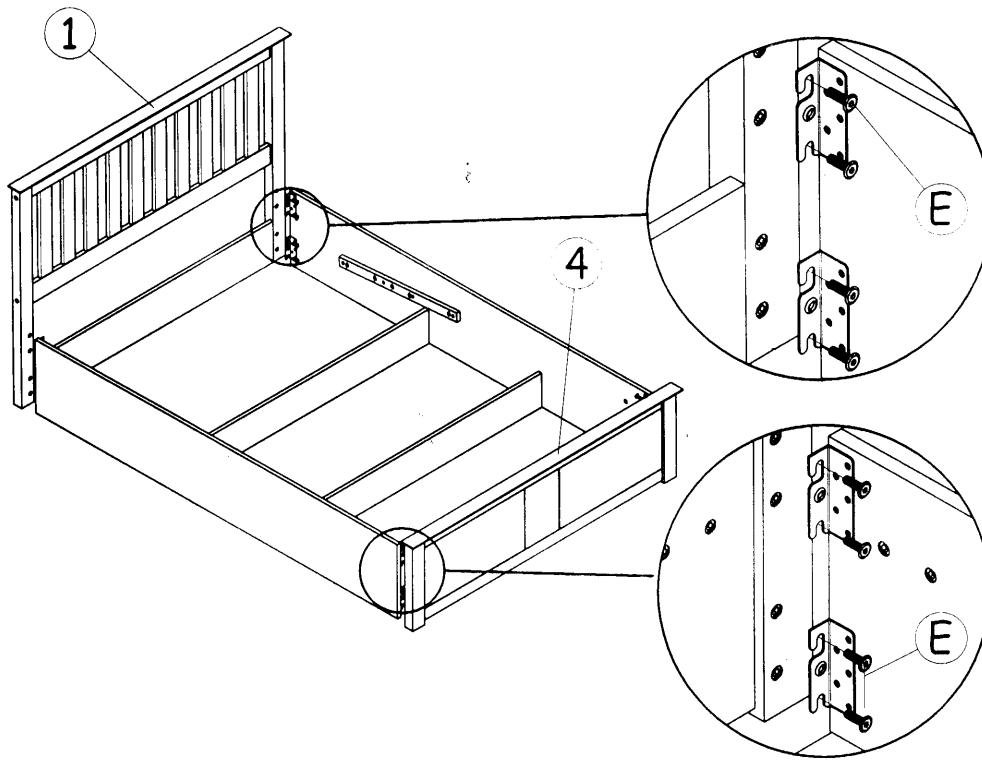


Step 2: Join together the left side rail (5) and right side rail (6) with the centre storage panels (7) using hardware parts A and B.

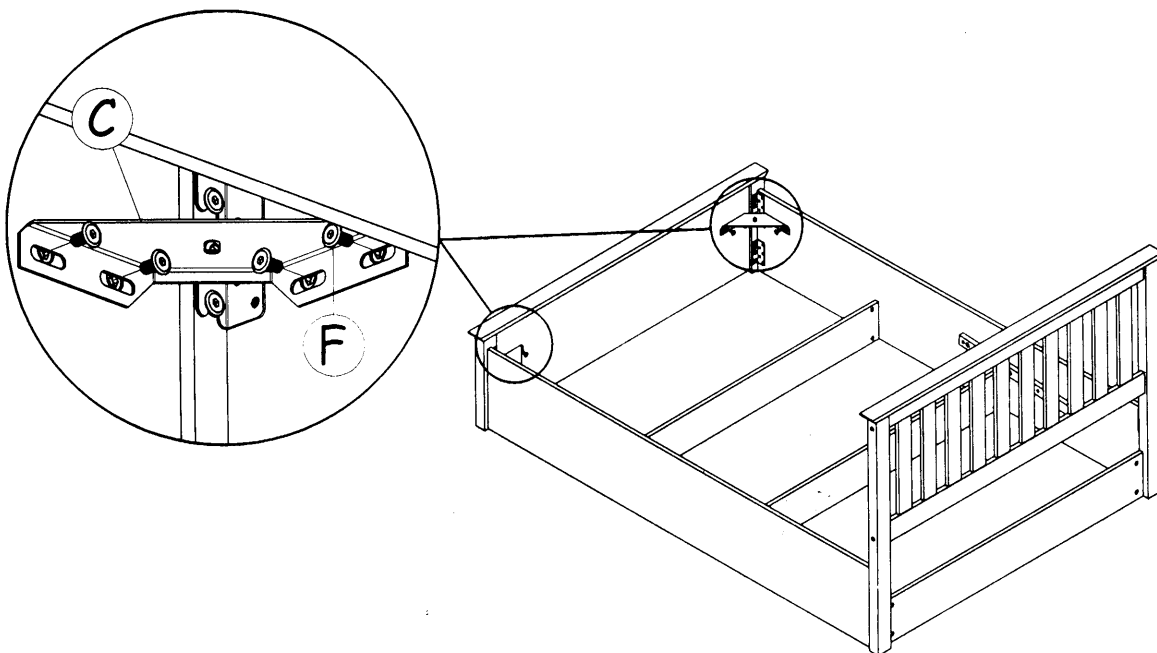
DO NOT use any power tools as this may damage the frame and will invalidate any claim.



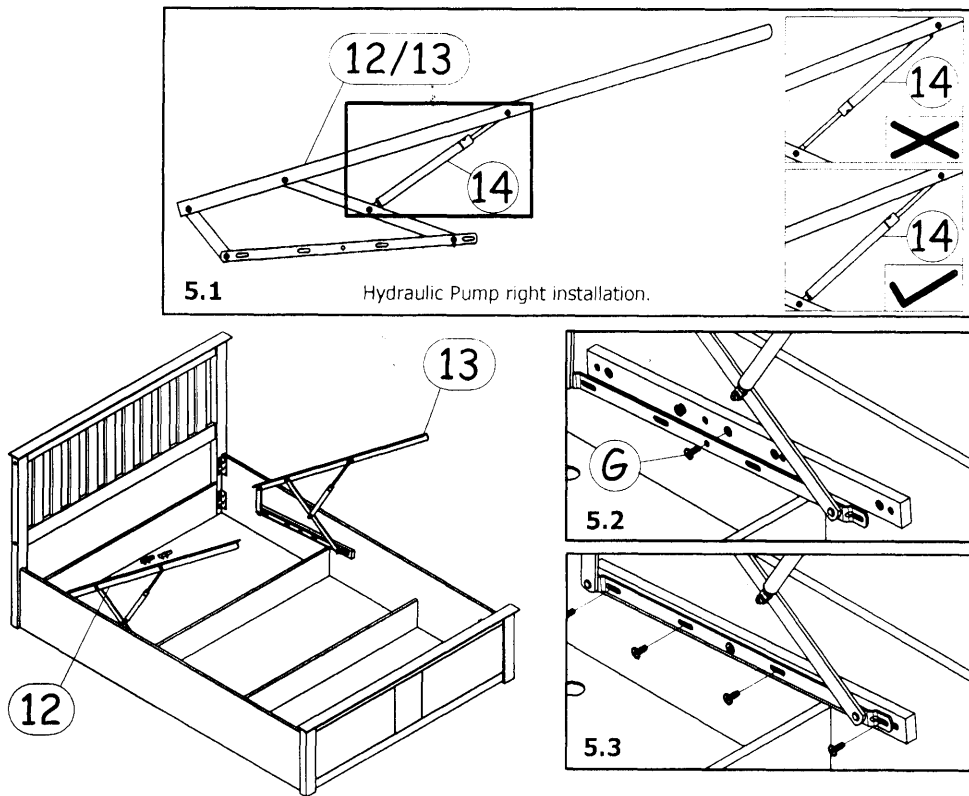
Step 3: Attach the headboard frame (1) and footboard (4) using hardware part E.
DO NOT use any power tools as this may damage the frame and will invalidate any claim.



Step 4: Attach hardware part C using hardware parts F.
DO NOT use any power tools as this may damage the frame and will invalidate any claim.

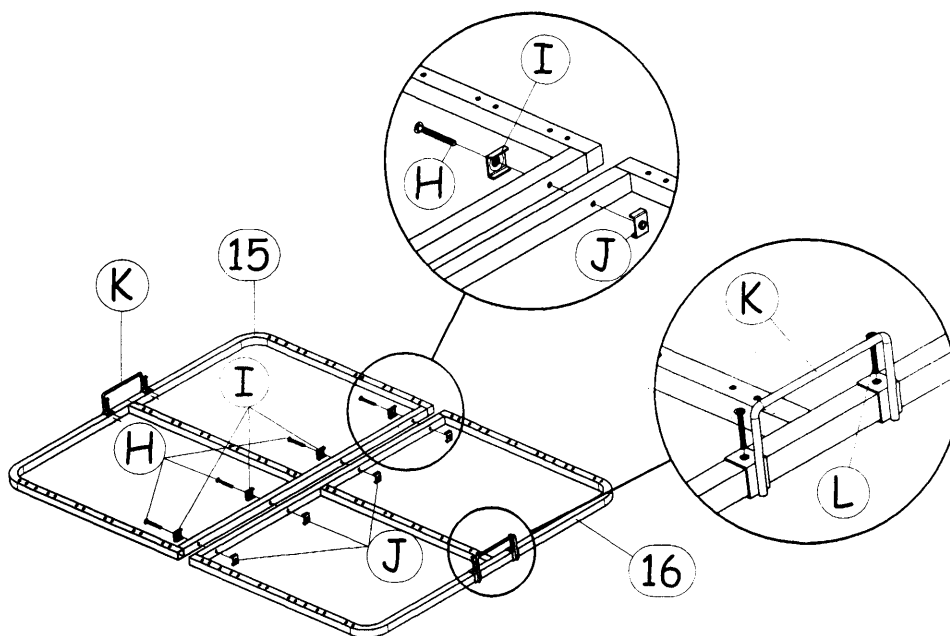


Step 5: Attach the hydraulic pumps (14) to the left hydraulic base support (12) and right hydraulic base support (13) then fix the base supports to the side rails using hardware part G as shown in Fig 5.2 – do not fully tighten yet. Insert the remainder of hardware part G and fully tighten all bolts. DO NOT use any power tools as this may damage the frame and will invalidate any claim.

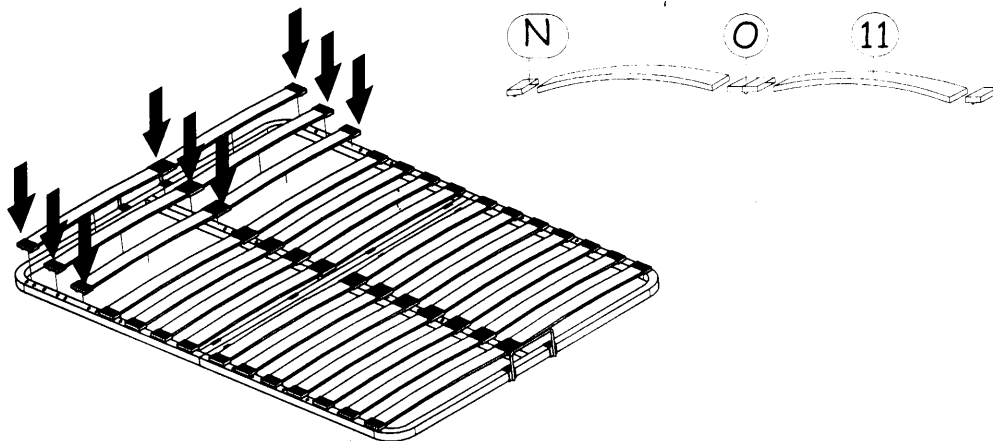


Step 6: Join together the back bed base (15) and front bed base (16) using hardware parts H, I and J. Attach hardware parts K using hardware part L.

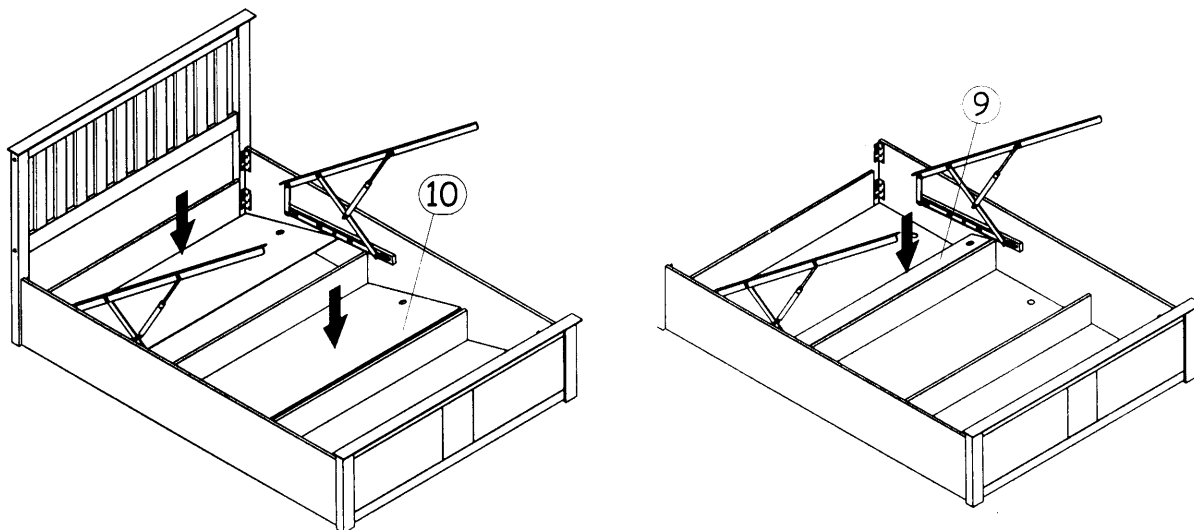
DO NOT use any power tools as this may damage the frame and will invalidate any claim.



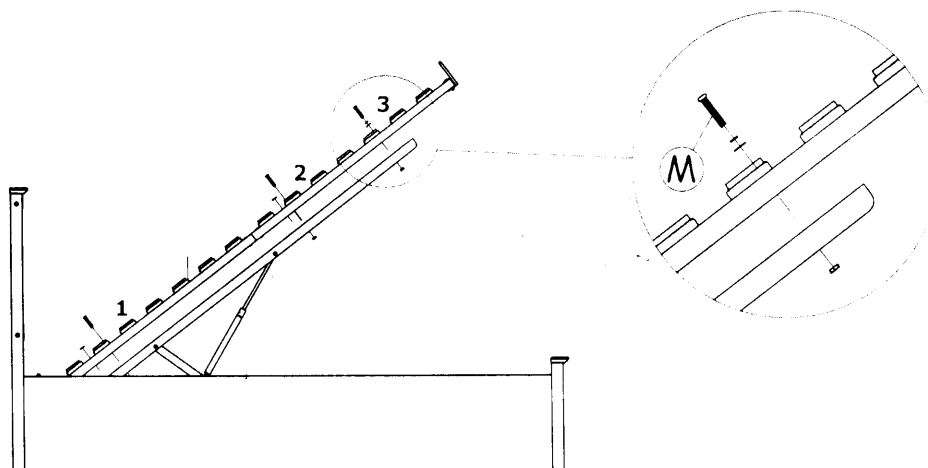
Step 7: Insert the slats (11) to hardware parts N and O then press into the base making sure they are secure. DO NOT use any power tools as this may damage the frame and will invalidate any claim.



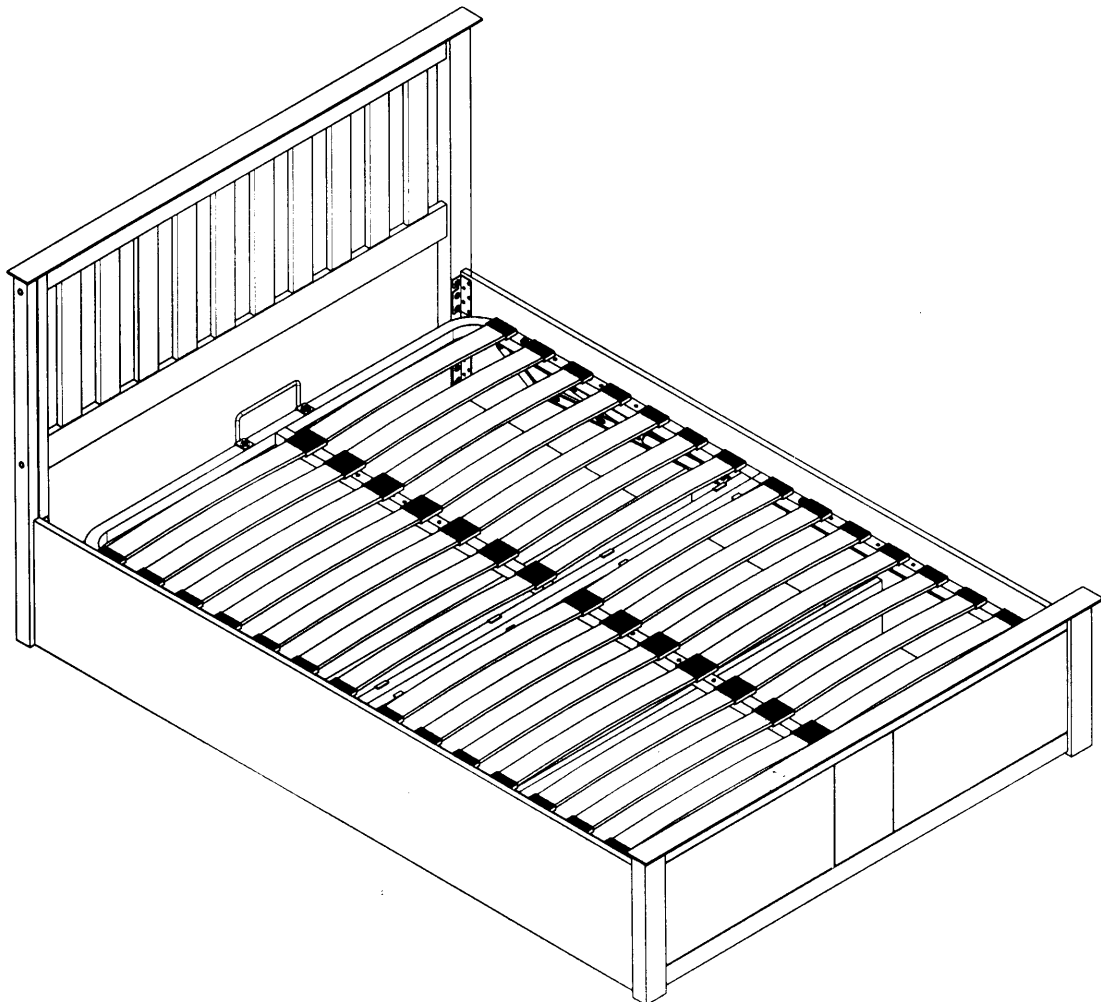
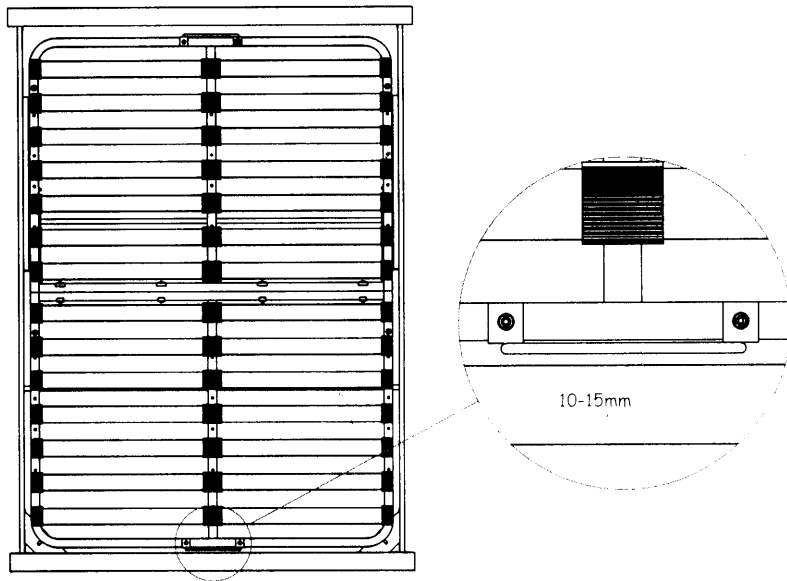
Step 8: Insert the small base panel (9) and large base panels (10). DO NOT use any power tools as this may damage the frame and will invalidate any claim.



Step 9: Attach the bed base to the hydraulic frames using hardware part M. Fix the bolts starting from area 1 and finishing in area 3 – do not fully tighten the bolts yet. DO NOT use any power tools as this may damage the frame and will invalidate any claim.

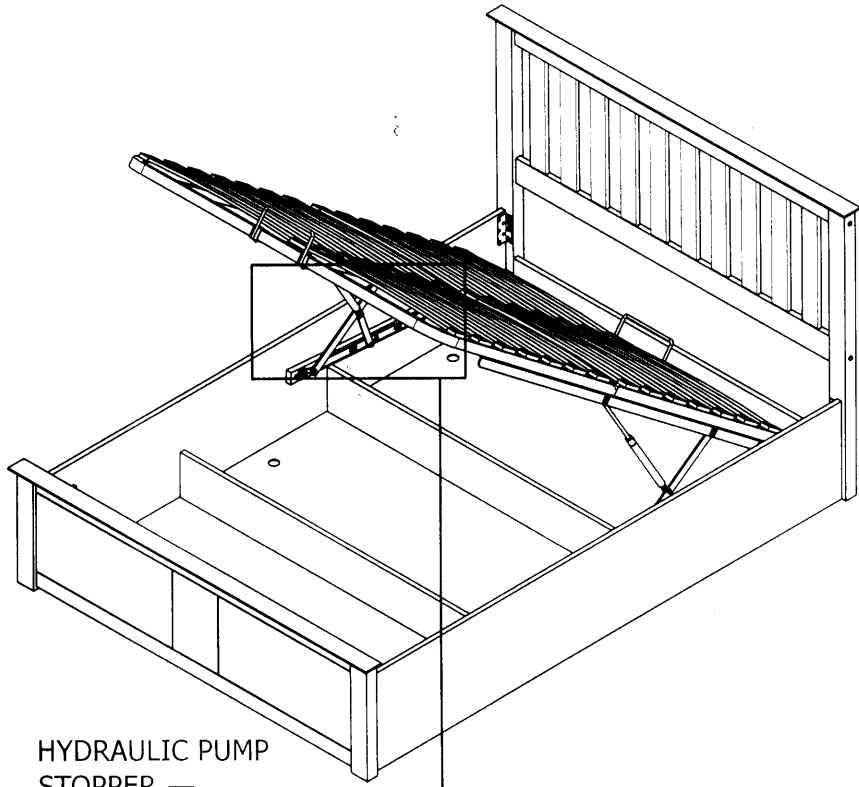


Step 10: Adjust the bed base making sure that the distance to the footboard is approximately 10 – 15 mm.
Tighten all bolts and screws now.
DO NOT use any power tools as this may damage the frame and will invalidate any claim.

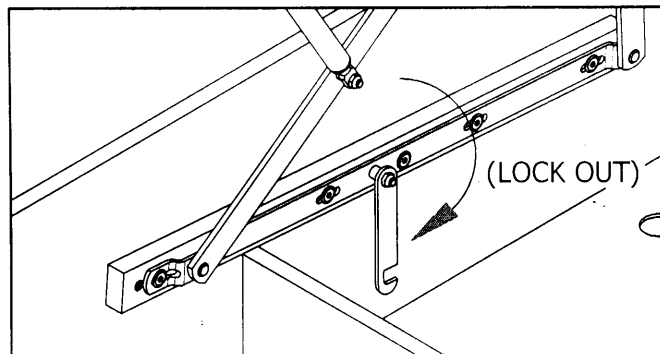
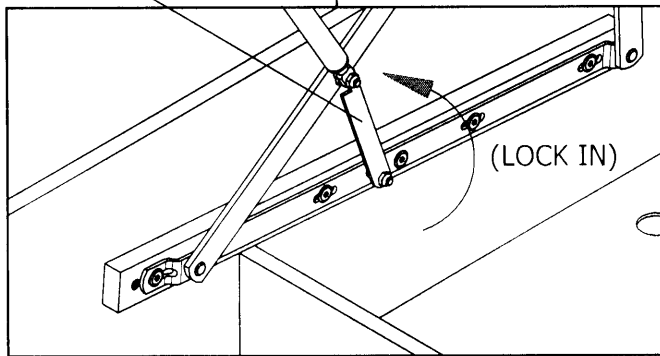


CAUTION :

PLEASE USE HYDRAULIC PUMP STOPPER FOR SAFETY PURPOSE.



HYDRAULIC PUMP STOPPER



" IMPORTANT NOTE "

WHEN THE BED IS BUILT AND THE MATTRESS FRAME IS AT 45 DEGREE
PLEASE PLACE THE MATTRESS ON THE BED.
PLEASE NOTE THAT THE WEIGHT OF THE MATTRESS IS REQUIRED TO
HELP CLOSE THE BED.
TO LOWER THE SLEEPING PLATFORM STAND AT THE FOOT END OF THE
BED AND PUSH SHARPLY
DOWNWARDS USING BOTH HANDS.

