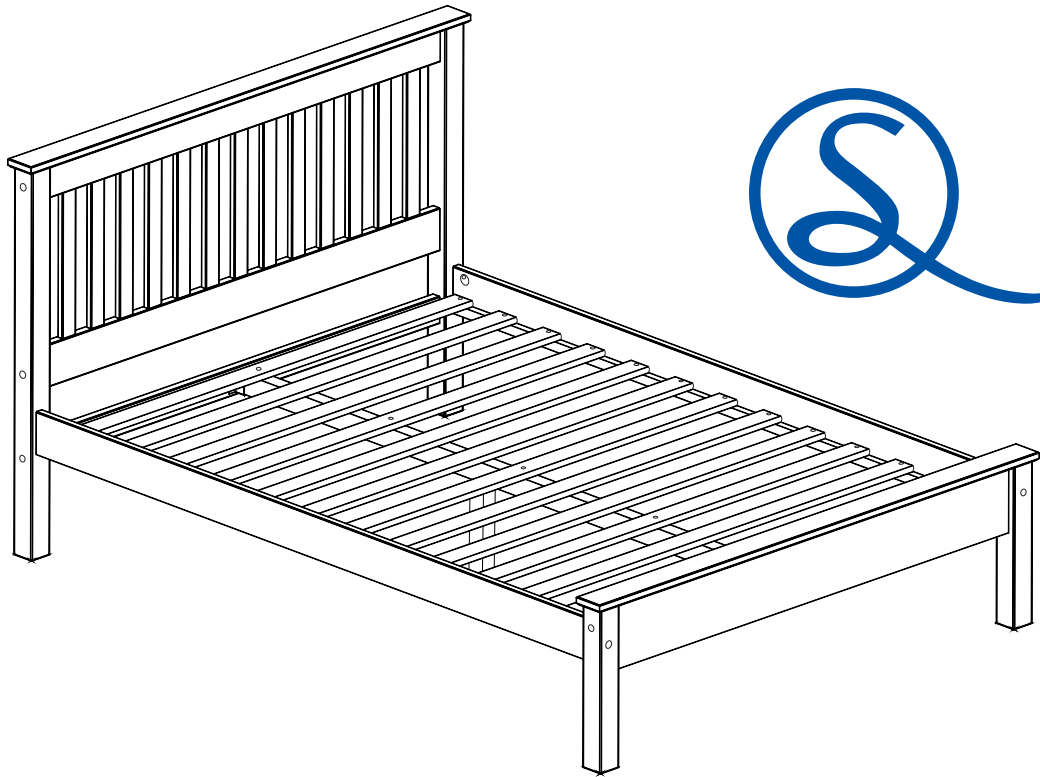


# MONACO 5' LOW END BED

## ASSEMBLY INSTRUCTIONS

XXXXX



## FOR DOMESTIC USE ONLY

### IMPORTANT

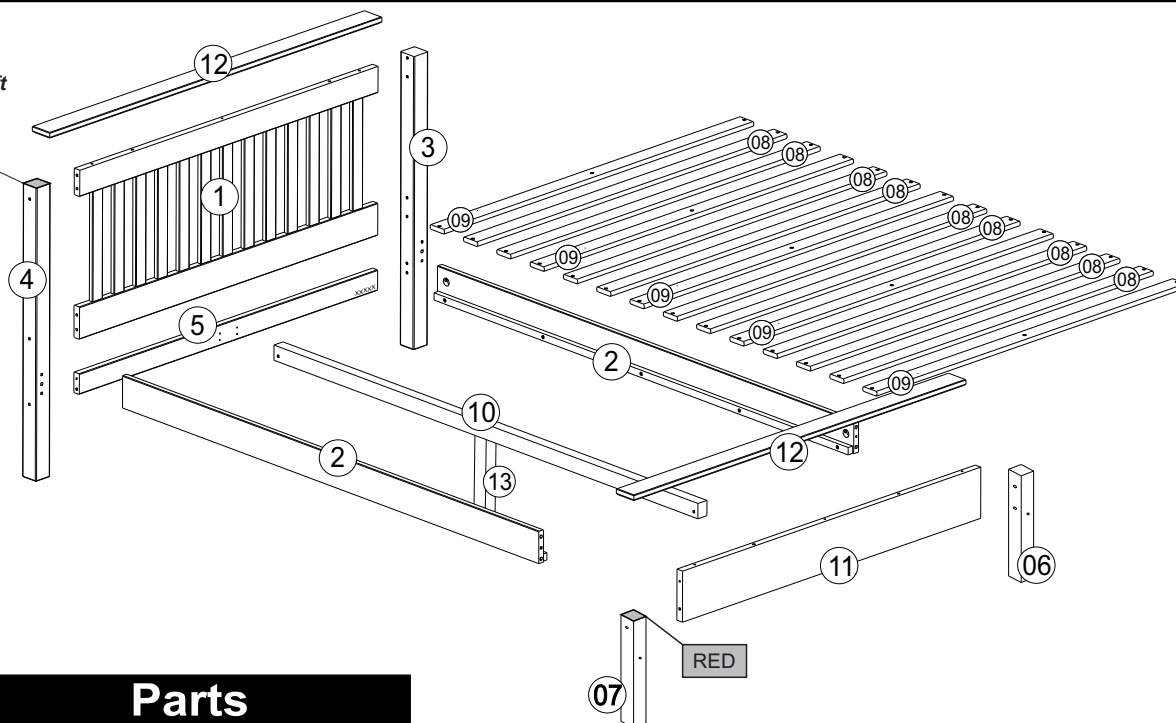
PLEASE READ BEFORE YOU CONTINUE FURTHER

## CARE AND MAINTENANCE

- After unpacking this product please keep the original packaging in case it needs to be returned for any reason.
- Please ensure all fittings and parts are present before commencing with assembly.
- We recommend that you lay a blanket or sheet on the floor to avoid damage to both your floor and the product.
- We strongly recommend that you keep children away from your work area.
- Assemble this product as close to its final position as possible.
- Never drag or push products as this could cause damage to the joints making it inferior.
- Do not drag or push items across your furniture as this may cause the surface to scratch.
- Do not place this product next to a radiator or in direct sunlight.
- Wood is a natural product and may expand if subjected to damp and may shrink or crack if subjected to heat. Therefore it is recommended that room temperature is maintained, with no sudden temperature fluctuations.
- Make sure any spillage is wiped off immediately.
- Do not place hot or chilled items directly on to the surface, use a place mat or marking will occur.
- For general cleaning use a soft cotton or micro fibre cloth, and do not use detergents of any kind.
- Do not place on a wet or damp floor as staining may occur to your floor.
- From time to time it may be necessary to tighten fittings, regular inspections should be carried out.

ps:  
The **RED** color  
indicates the **left**  
component

RED



### Parts

1	Headboard panel	01
2	Siderail	02
3	Headboard right post	01
4	Headboard left post	01
5	Headboard crossbeam	01
6	Footboard right post	01
7	Footboard left post	01

8	Slats (2 holes)	09
9	Slats (3 holes)	05
10	Centre Rail	01
11	Footboard panel	01
12	Top crossbeam	02
13	Post	01

**!**  
\*Use of power tools to assemble this product will invalidate any claim and could damage this product making it unsafe!!!  
\*Please assemble on a clean soft surface to avoid damage.

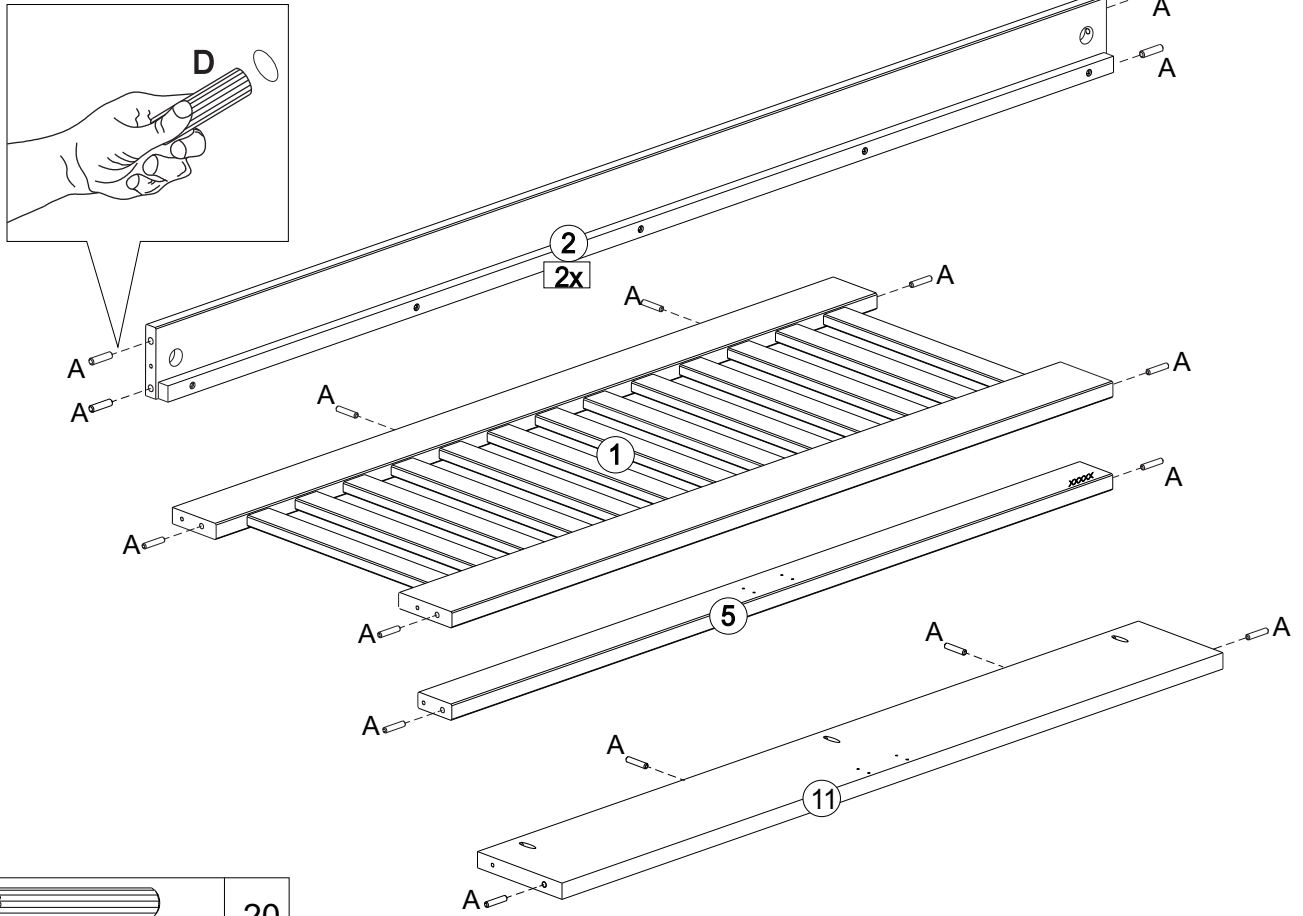
**!**  
\*Please check contents and read the instructions before commencing assembly.  
\*Assemble this product following the enclosed instructions carefully.  
\*Please take care to avoid damaging parts during assembly.


### Fittings

A	Ø8 x 50mm	20
B	17mm Ø1/4 x 110mm	04
C	1/4	04
D	17mm Ø7 x 100mm	08
E	Ø4,0 x 30mm	33
F		01
G	SPACER	02

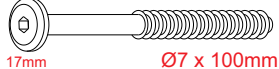

H	Ø4,0 x 16mm	08
I		02
J	17mm Ø1/4 x 60mm	02
K	1/4	02
L	Ø3,5x30mm	06
M	17mm Ø7 x 90mm	01

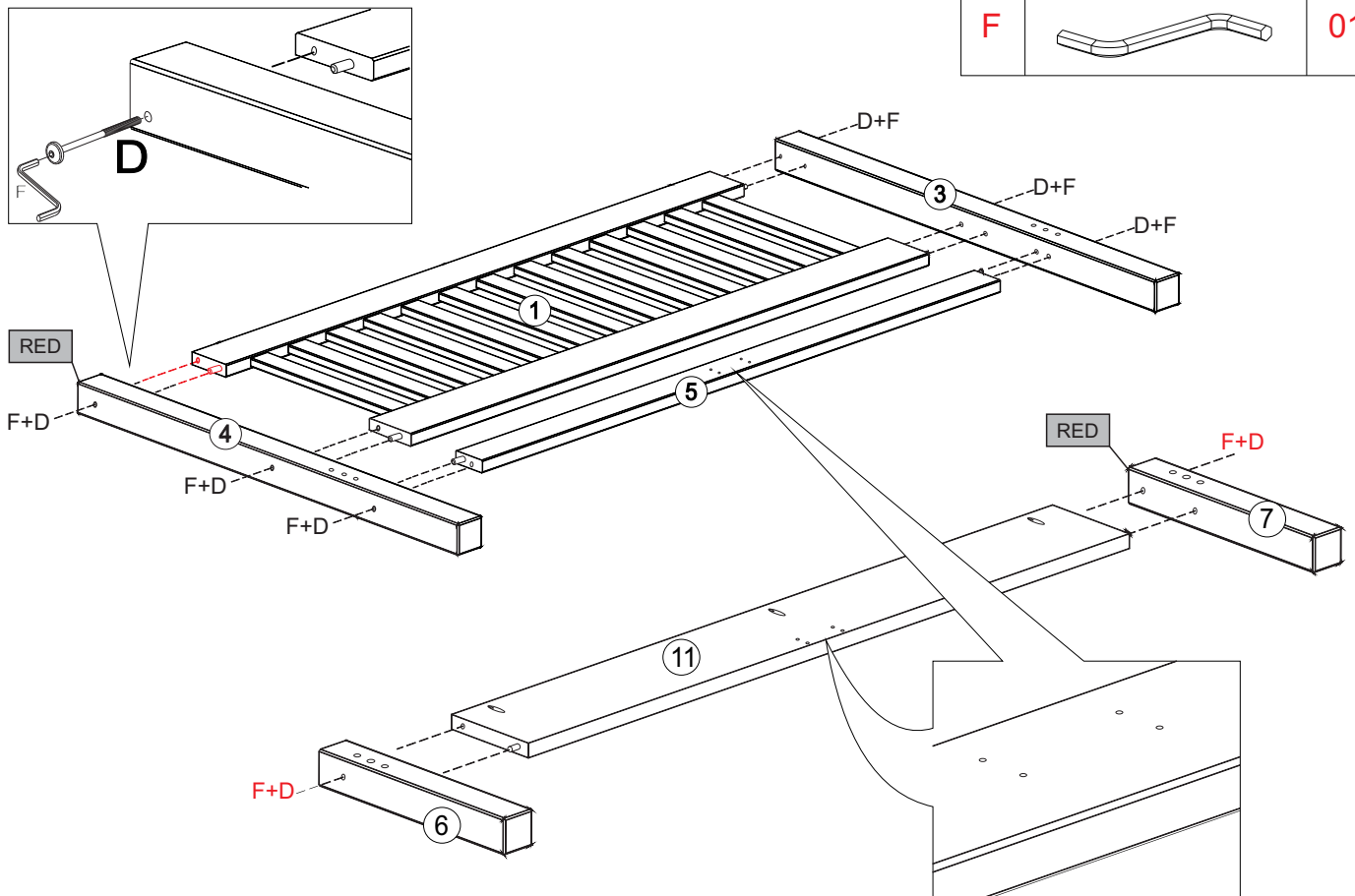
**1**



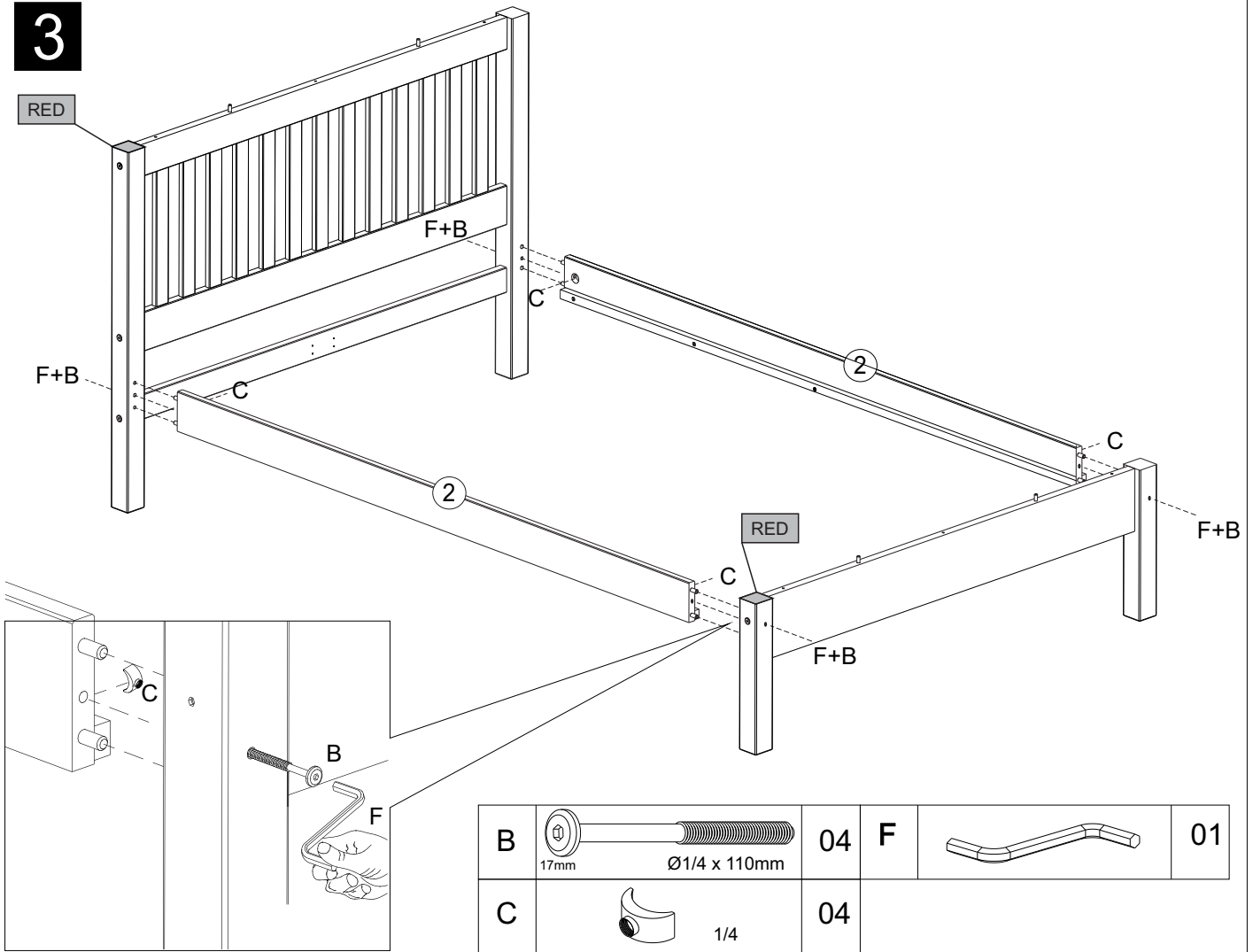
<b>A</b>		<b>20</b>
----------	--	-----------




**2**

<b>D</b>		<b>10</b>
<b>F</b>		<b>01</b>

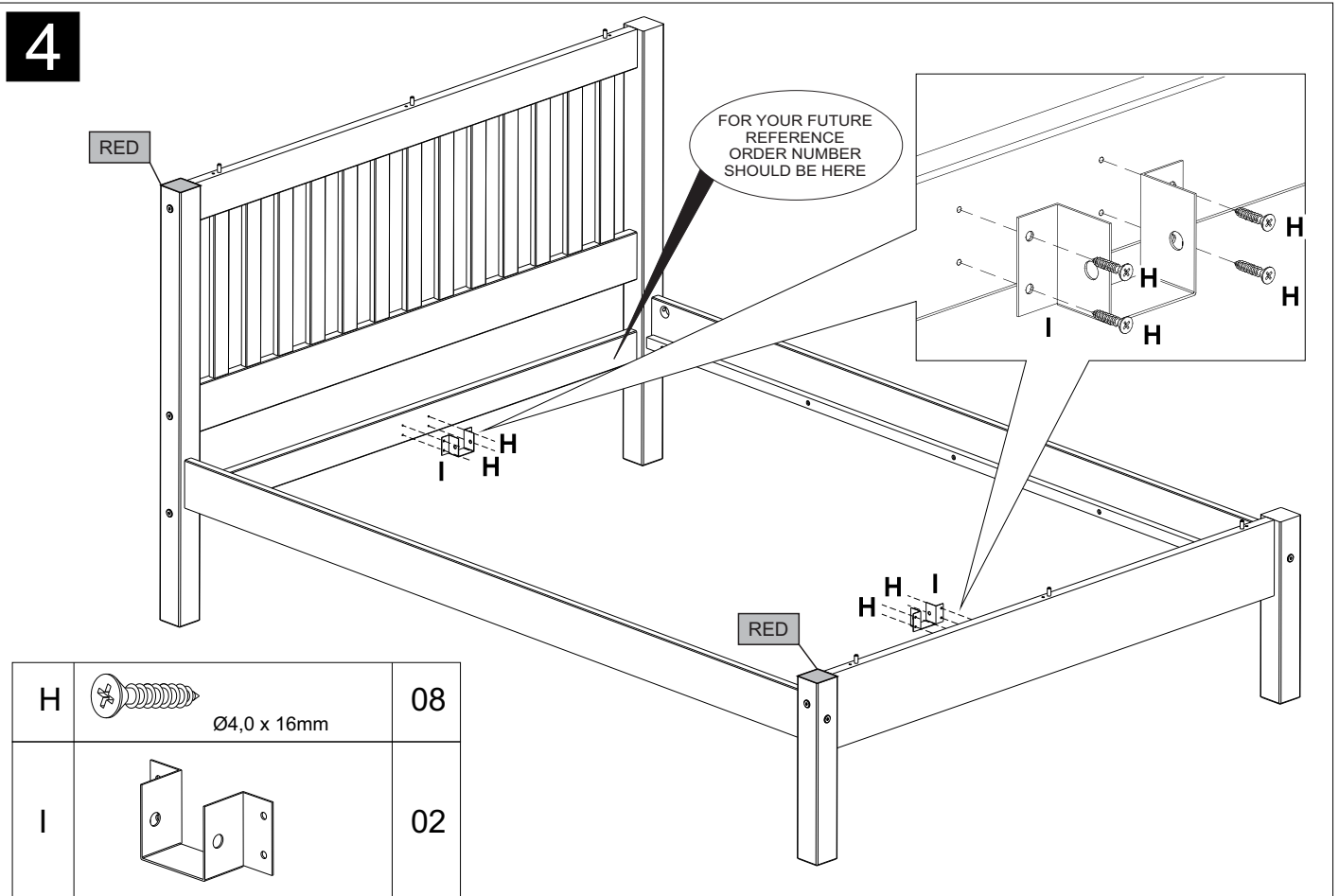


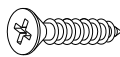
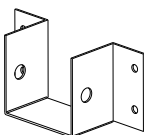
3



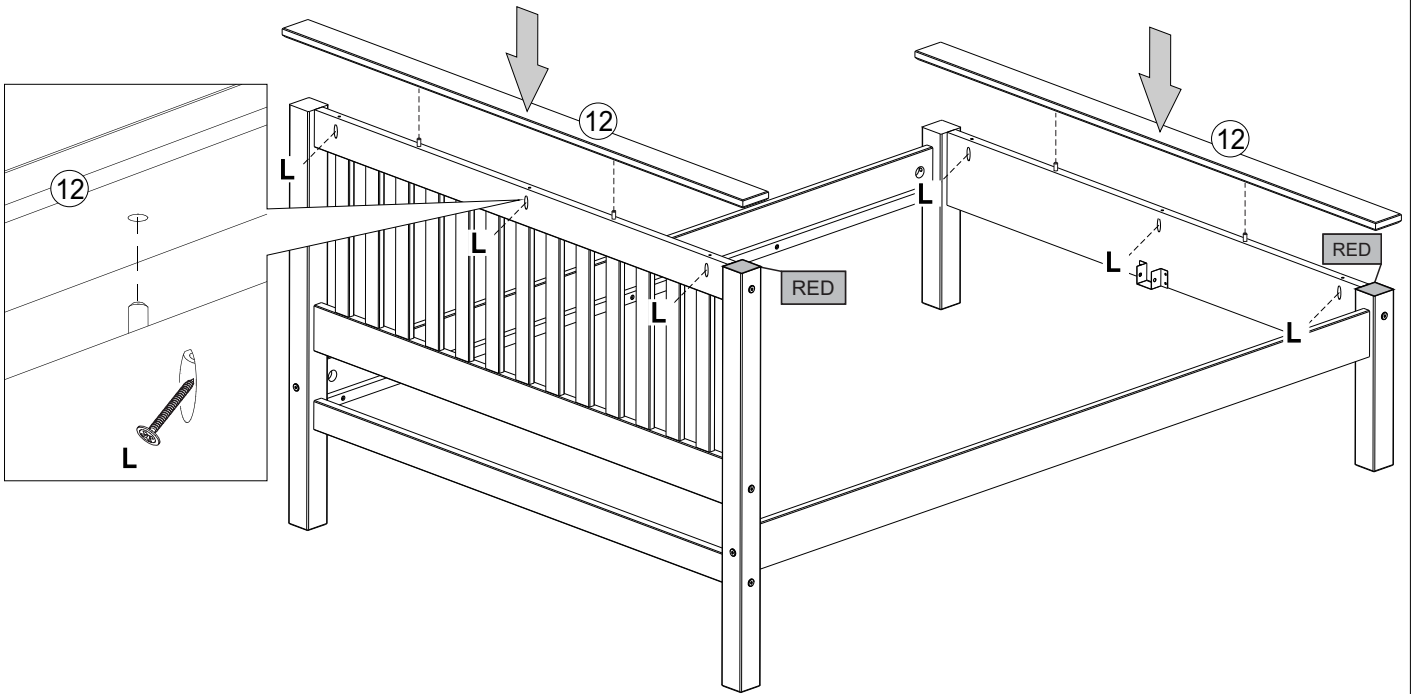
B		17mm	Ø1/4 x 110mm	04	F		01
C			1/4	04			


4



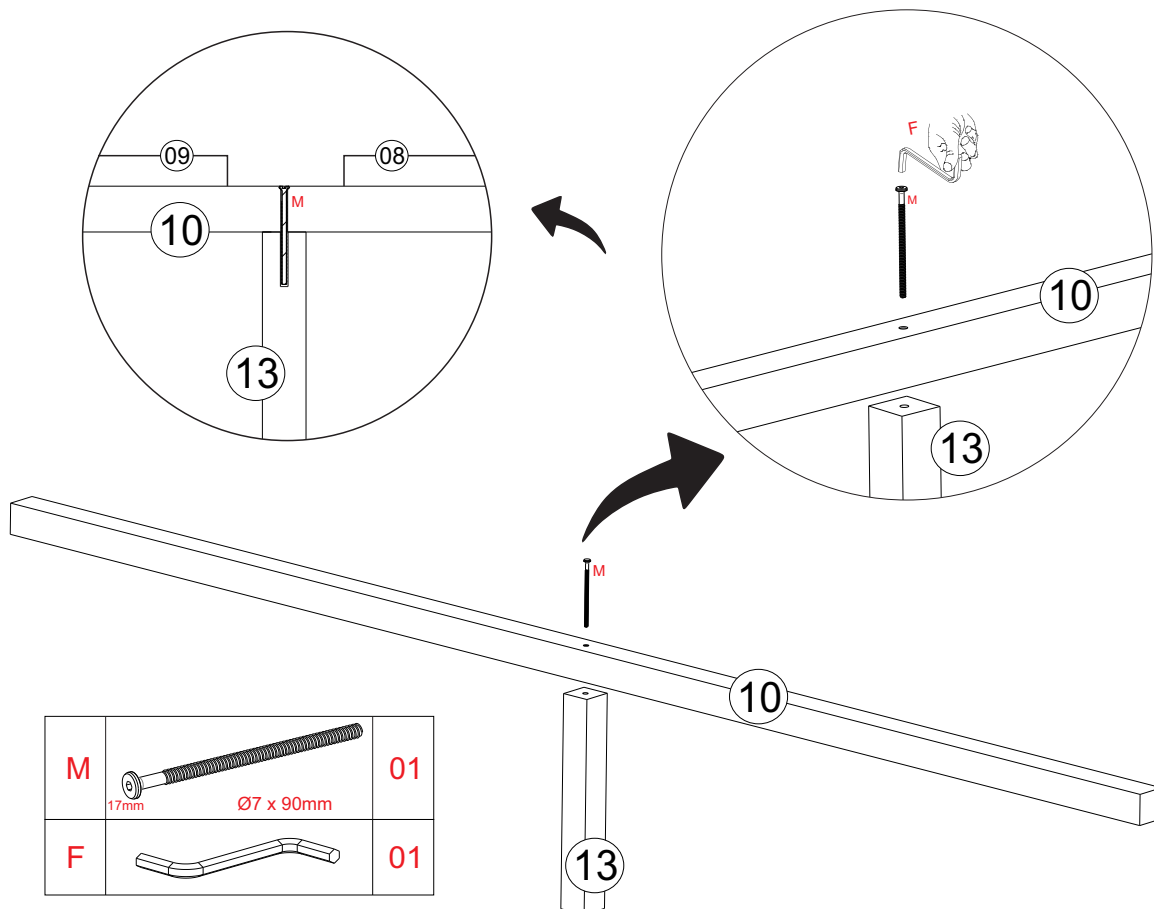
H		Ø4,0 x 16mm	08
I			02



5



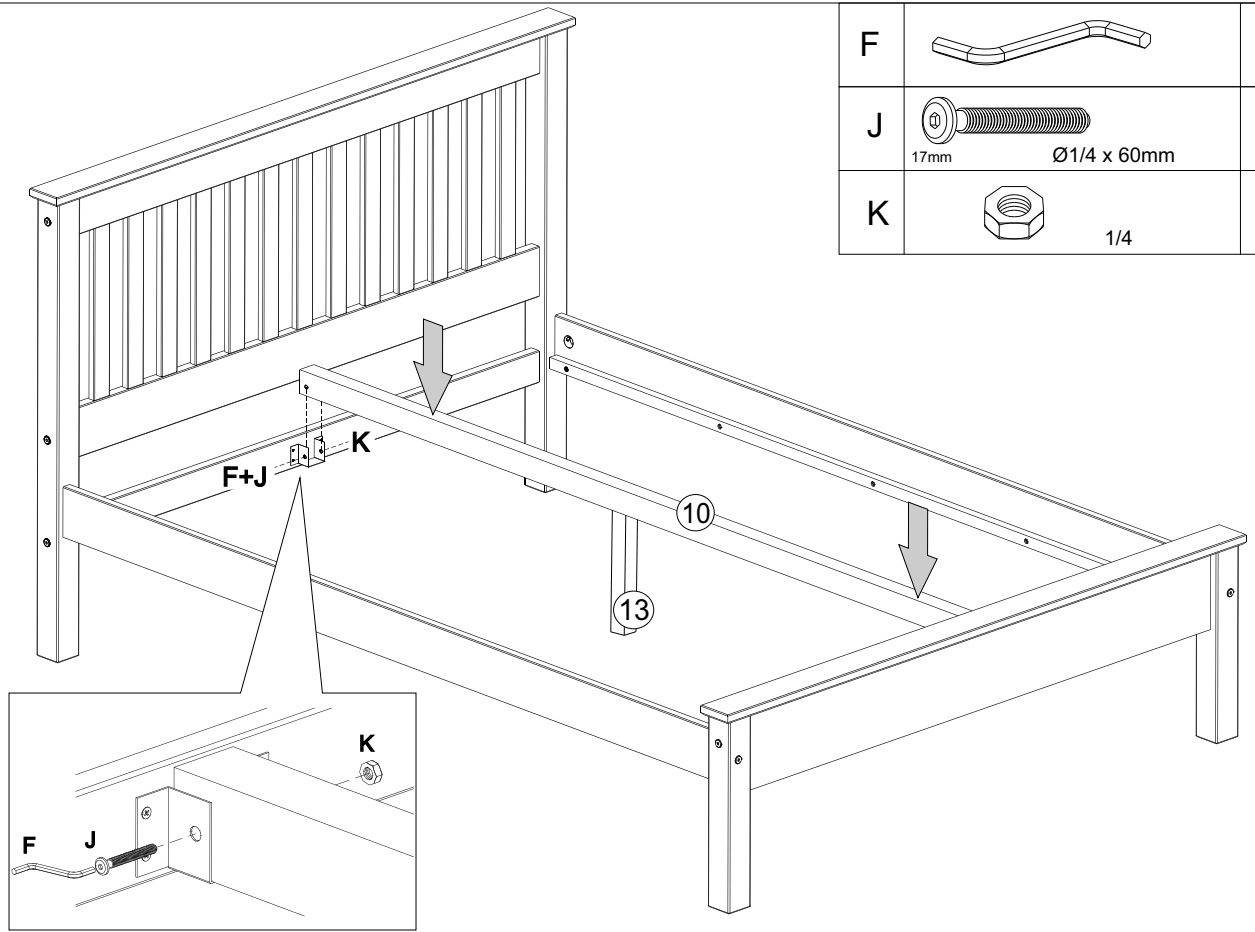
L		Ø3,5x30mm	06
---	---	-----------	----


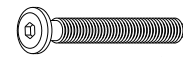
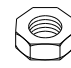
6



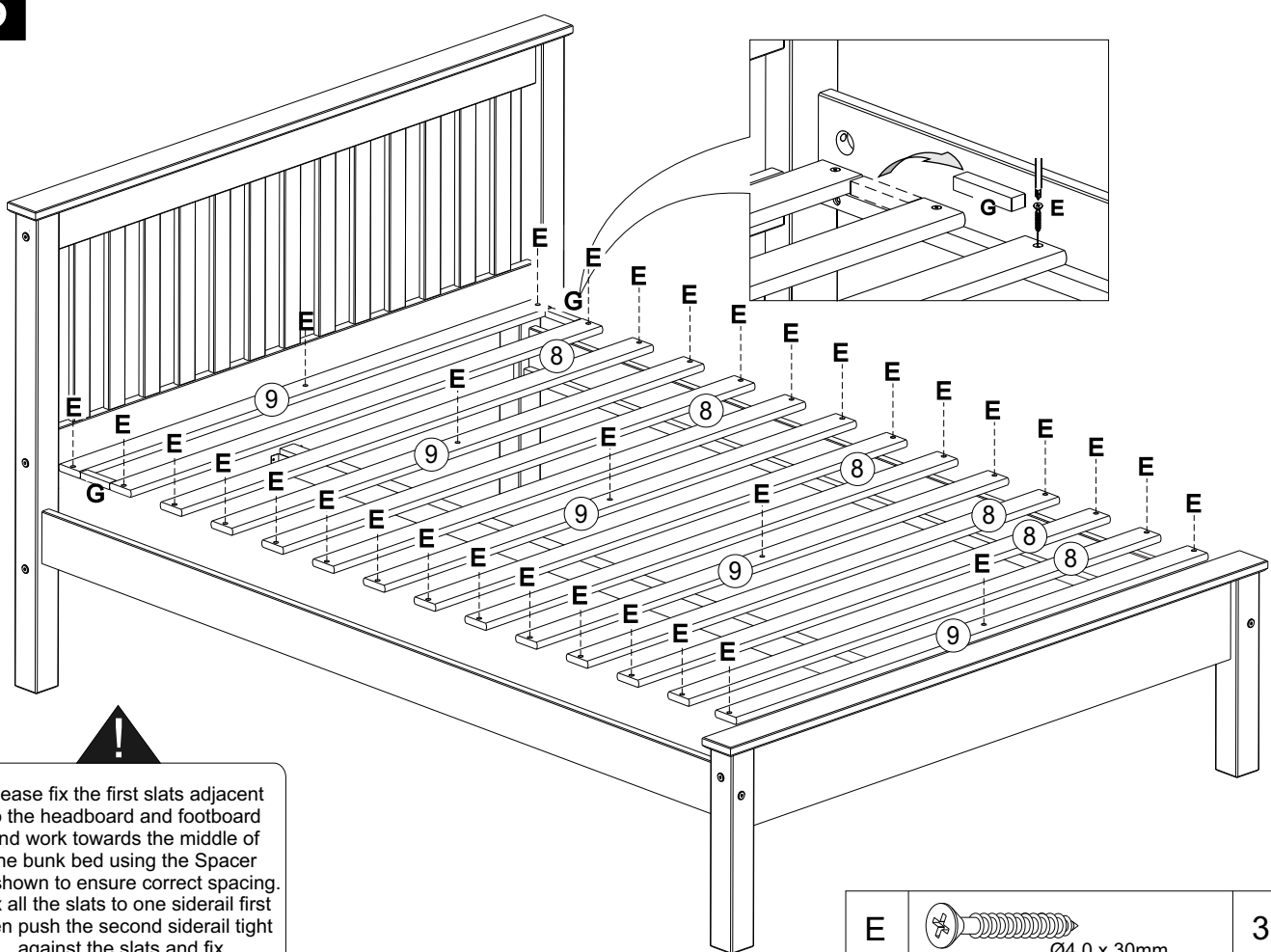
M		Ø7 x 90mm	01
F			01


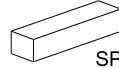
7



F		01
J	 17mm      Ø1/4 x 60mm	02
K	 1/4	02

8



E	 Ø4,0 x 30mm	33
G	 SPACER	02

**!**  
Please fix the first slats adjacent to the headboard and footboard and work towards the middle of the bunk bed using the Spacer as shown to ensure correct spacing. Fix all the slats to one siderail first then push the second siderail tight against the slats and fix. Please retain the Alen Key and use periodically to check that all bolts are tight.