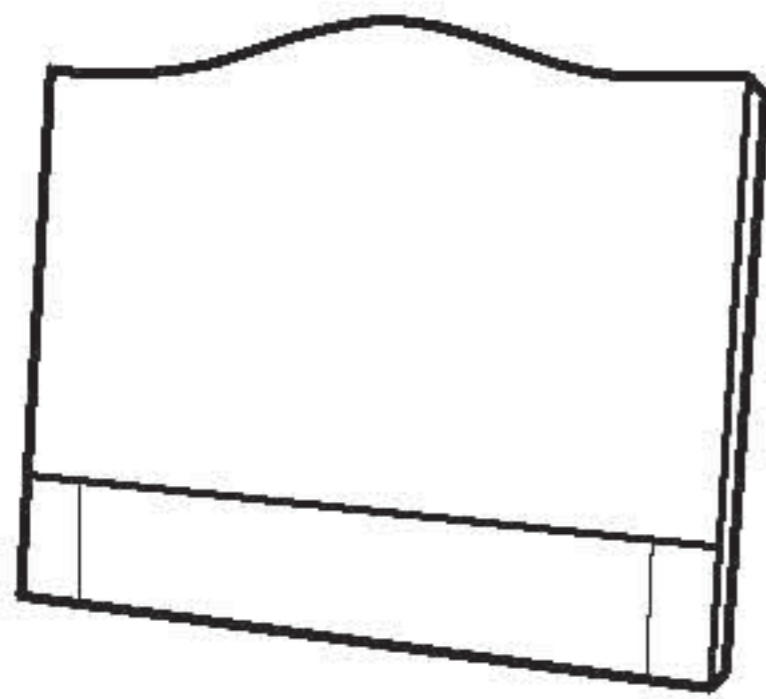


ASSEMBLY INSTRUCTION

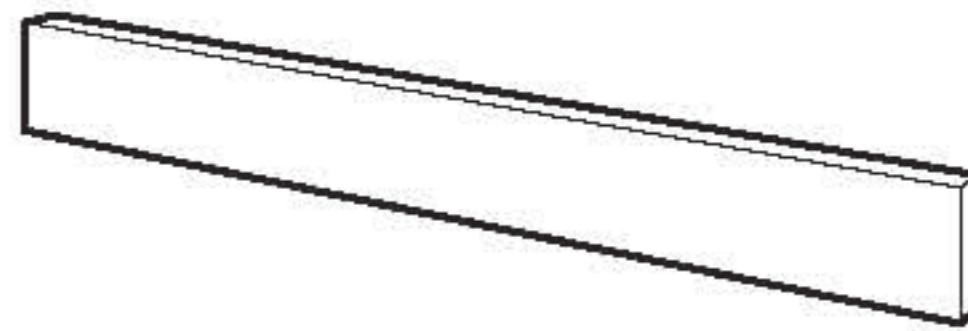
IMPORTANT NOTE:

- ** PLEASE READ BEFORE YOU CONTINUE FURTHER.
- ** PLEASE KEEP THE ORIGINAL PACKAGING UNTIL THE ITEM IS FULLY ASSEMBLED AND IN PLACE. IN THE UNLIKELY EVENT THAT YOU NEED TO RETURN YOUR PRODUCT , IT MUST BE RETURNED IN ITS ORIGINAL PACKAGING TO AVOID FURTHER DAMAGE. FAILURE TO FOLLOW THESE PROCEDURES , NO RETURNS WILL BE ACCEPTED .
- ** BEFORE YOU BEGIN , KINDY FOLLOW THE ASSEMBLY INSTRUCTIONS STEP BY STEP .
- ** DO NOT TIGHTEN ALL SCREWS UNTIL THE BED IS FULLY SET-UP.
- ** CAREFULLY CHECK THAT YOU HAVE ALL THE COMPONENTS PRIOR TO ASSEMBLY.
- ** UNPACK AND ASSEMBLE THIS FURNITURE ON A CLEAN, FLAT, PROTECTIVE SURFACE IN THE ROOM IT WILL BE USED.
- ** WE RECOMMEND THAT THE PACKAGING IS USED TO PROTECT THE SURFACES DURING ASSEMBLY.
- ** IT MAY BE NECESSARY TO TIGHTEN ANY FITTINGS FROM TIME TO TIME DEPENDING ON USE, THIS IS NORMAL WITH FLAT PACK FURNITURE.
- ** SAVE ALL PACKING MATERIAL UNTIL ASSEMBLY IS COMPLETE TO AVOID ACCIDENTALLY DISCARDING SMALLER PARTS OR HARDWARE.
- ** PLEASE KEEP THESE INSTRUCTIONS SAFE IN CASE YOU WISH TO LOOK AT IN THE FUTURE.
- ** IF THIS PRODUCT IS GOING TO BE USED ON A WOOD , LAMINATE OR TILED FLOOR , YOU MUST APPLY “ ANTI SLIP PADS “ TO ALL LEGS TOUCHING THE FLOOR .
- ** THESE ARE AVAILABLE TO BUY IN MOST HARDWARE SHOPS IN A FELT MATERIAL OR RUBBER AND ARE RELATIVELY INEXPENSIVE .
- ** THE PADS WILL PROTECT YOUR FLOOR FROM ANY MARKING AND ALSO FROM SLIPPING .
- ** FAILURE TO APPLY THE PADS WILL RESULT IN NO RETURNS OF THE PRODUCT AND ANY SPARE'S REQUESTED .
- ** PARTS ARE STORED IN THE HEADBOARD

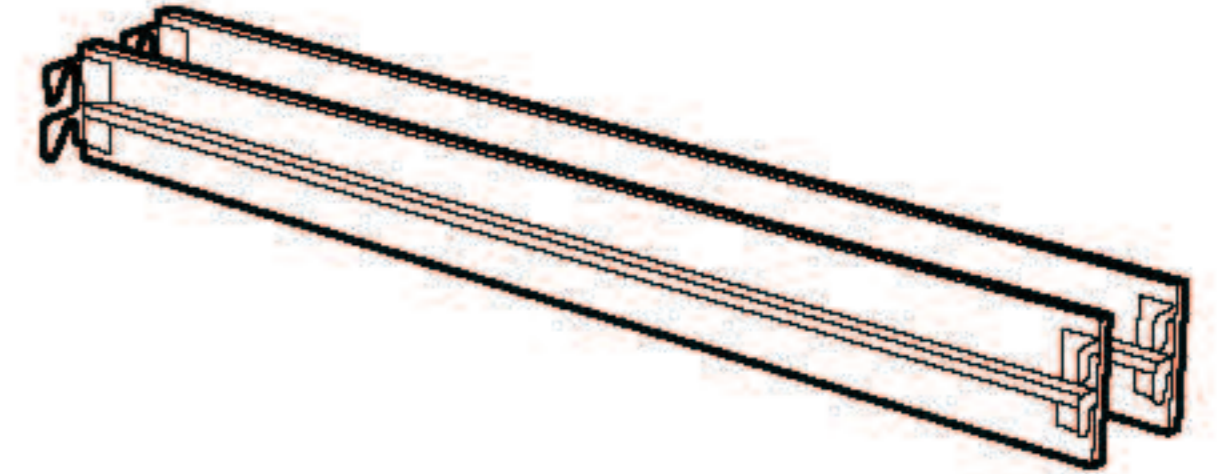
PARTS AND HARDWARE



A : HEADBOARD 1 PC



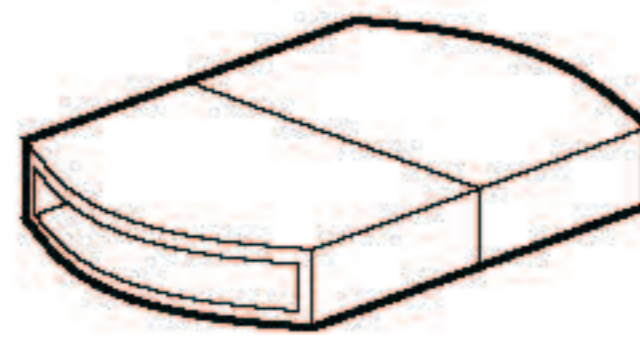
B : FOOTBOARD 1 PC



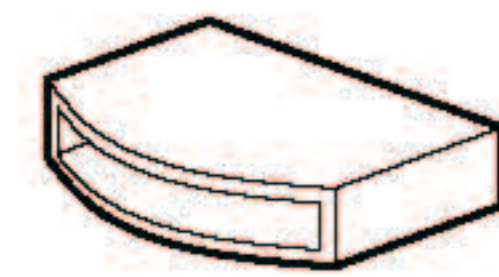
C : SIDE RAIL 2 PCS



D : SLAT 26 PCS



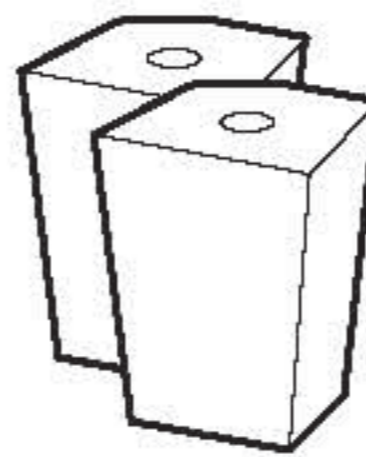
E : DOUBLE PLASTIC CAP 13 PCS



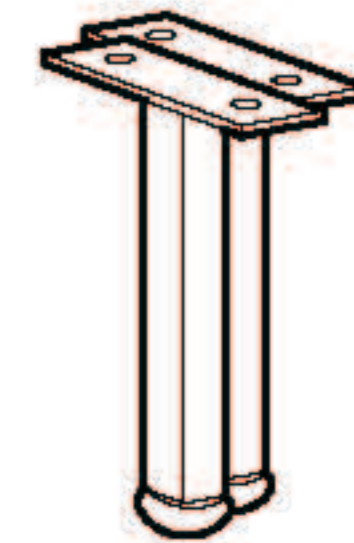
F : SINGLE PLASTIC CAP 26 PCS



G : CENTER SUPPORT BAR 1 PC



H : WOODEN LEG 2 PCS



I : SUPPORT LEG 2 PCS



J : SPANNER 1 PC



K : ALLEN KEY 1 PC



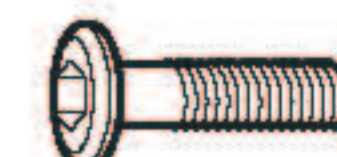
L : WASHER 26 PCS



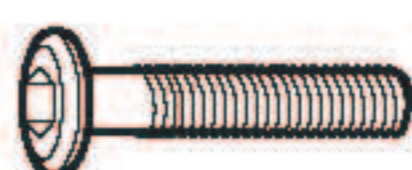
M : SPRING WASHER 12 PCS



N : NUT 5/16" X 13 MM 4 PCS



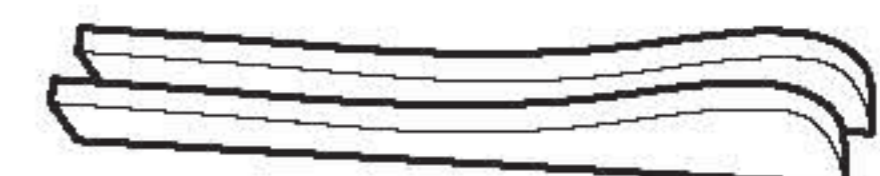
O : SCREW 5/16" X 25MM 12 PCS



P : SCREW 5/16" X 40MM 12 PCS

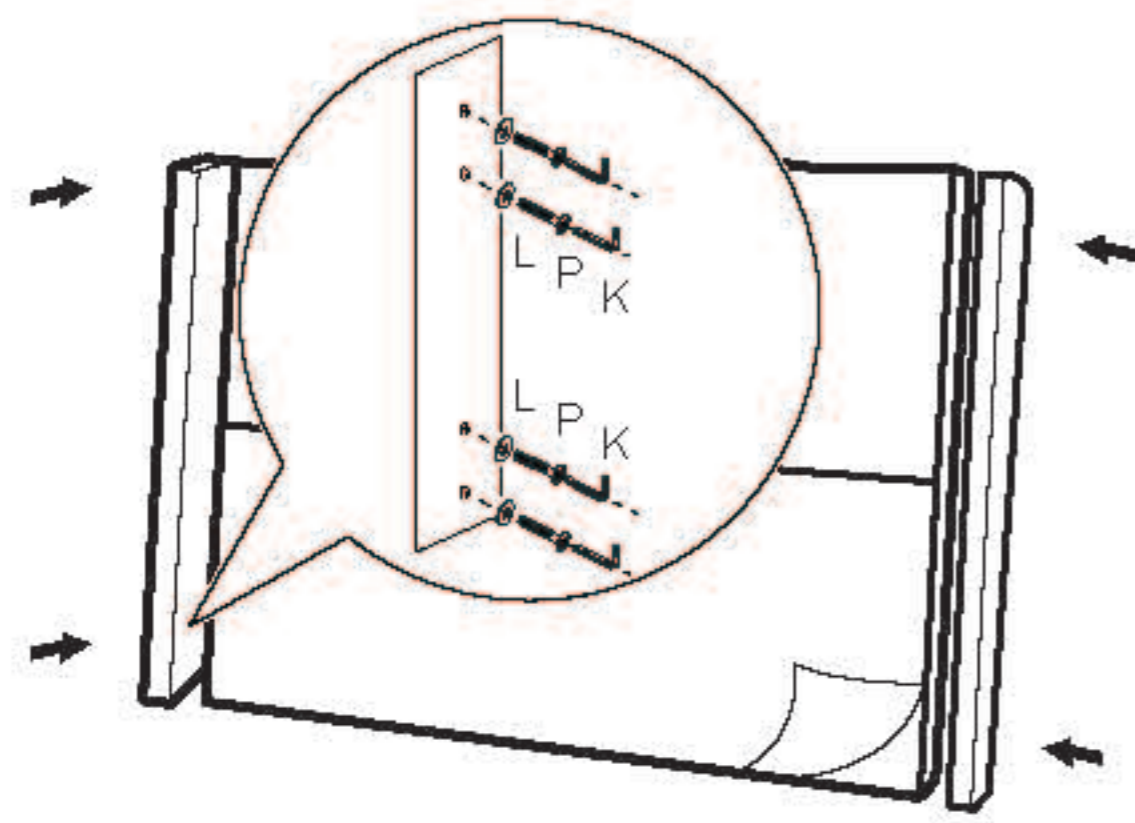


Q : SCREW 5/16" X 65MM 2 PCS

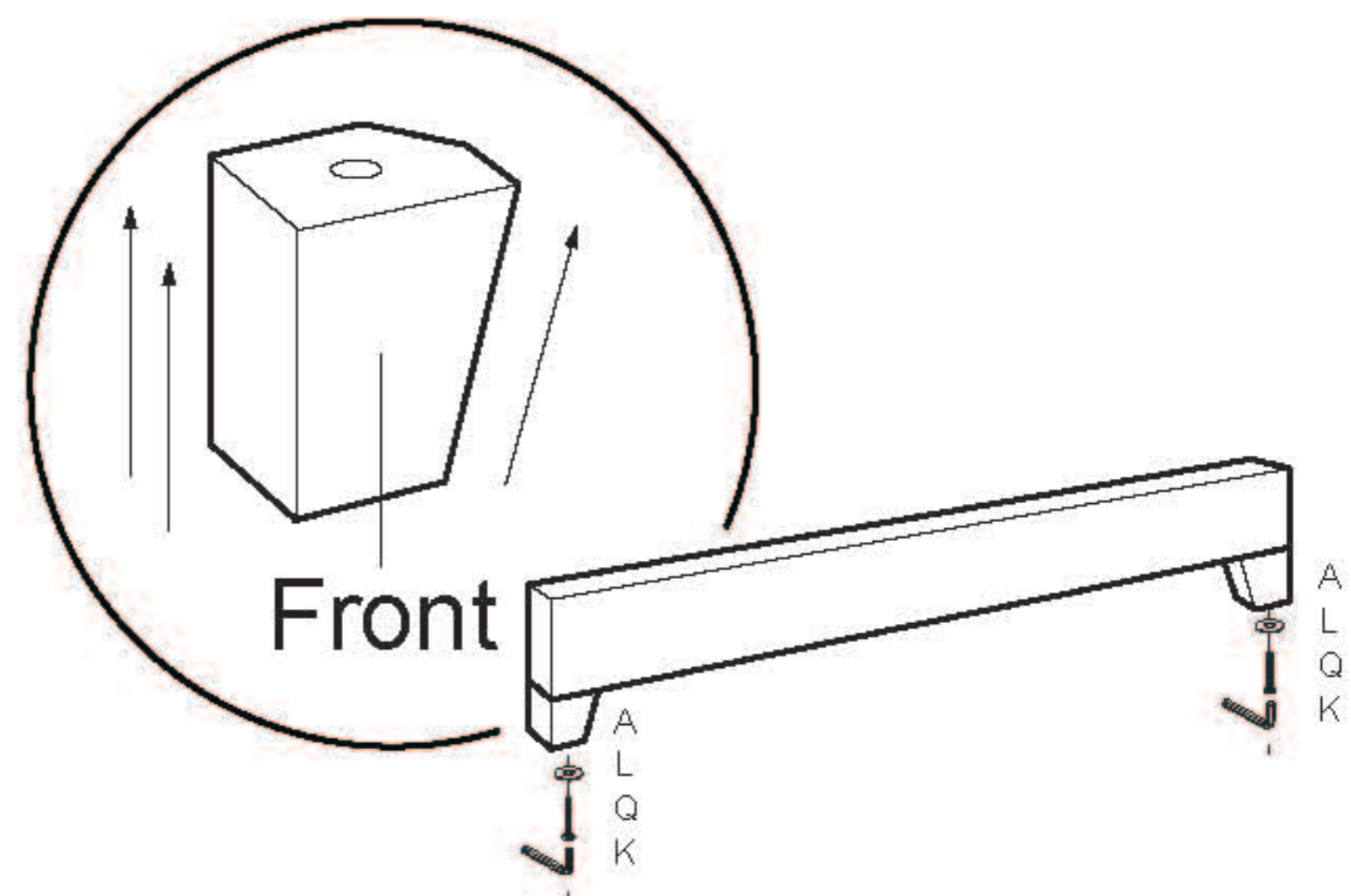


R : WING 2 PCS

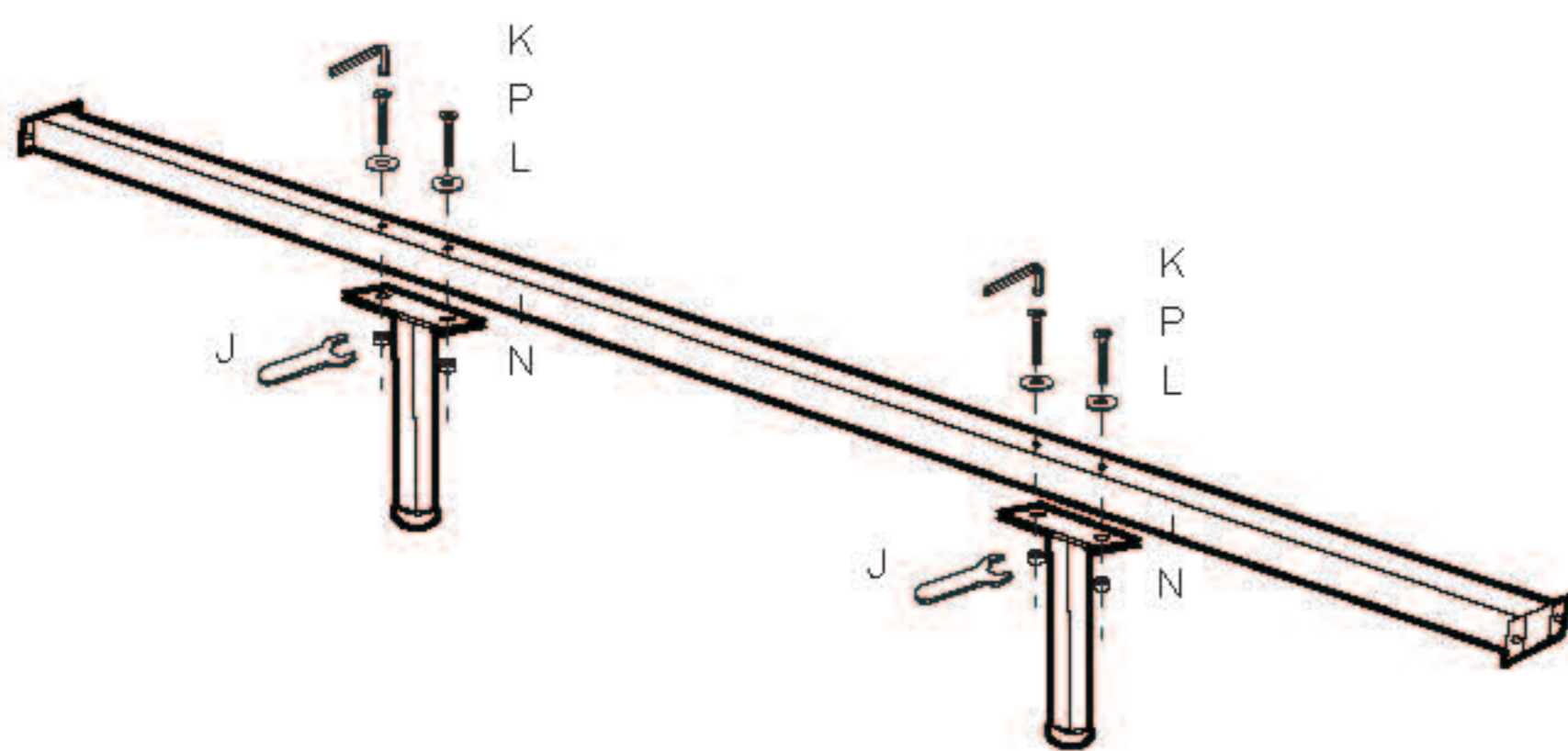
ASSEMBLY INSTRUCTIONS



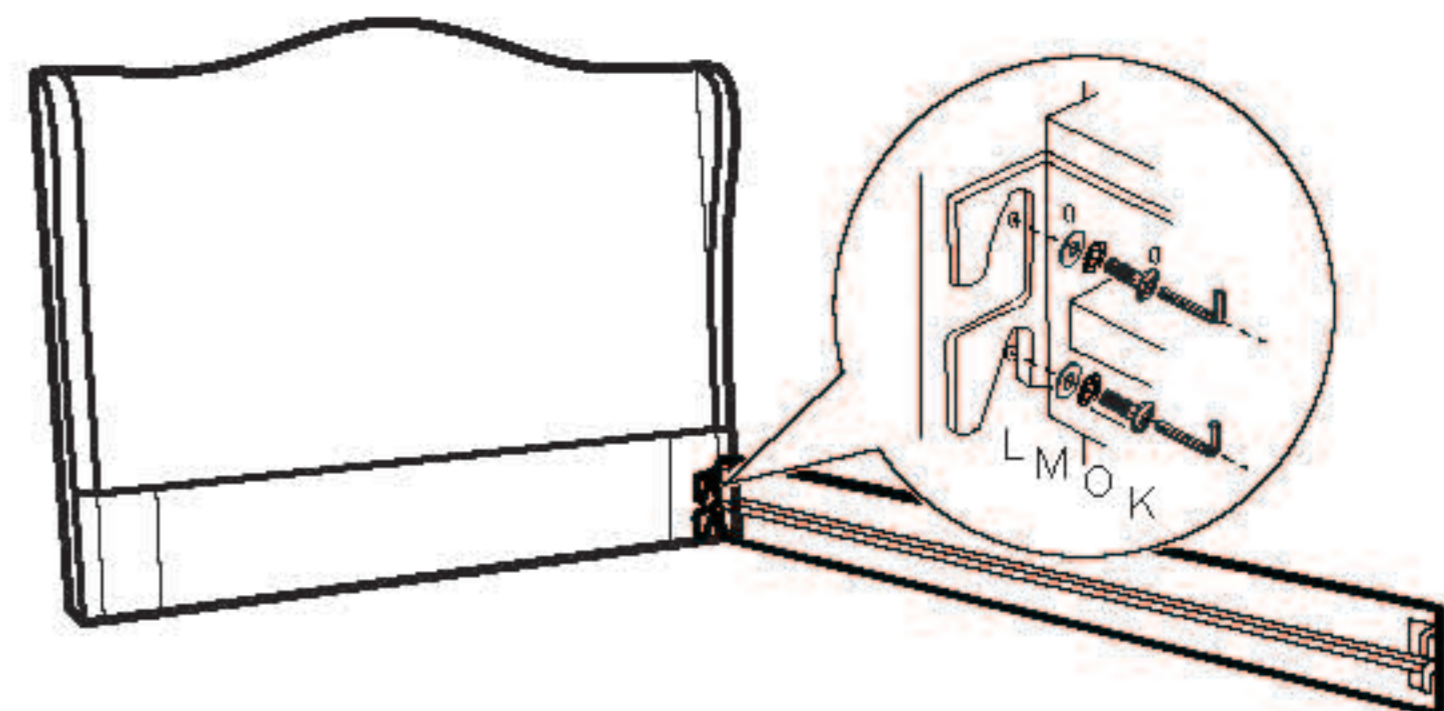
STEP1 :
FIX THE WINGS TO THE HEADBOARD.



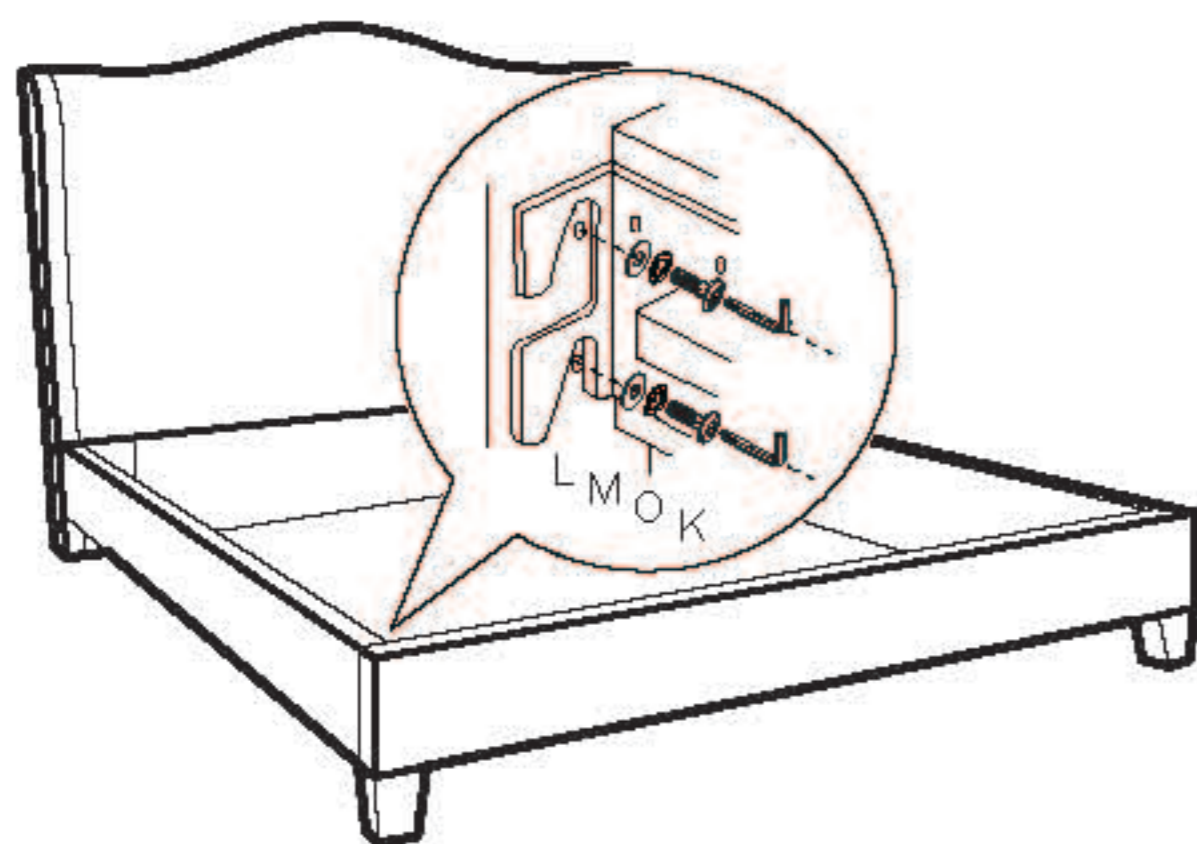
STEP2 :
FIX THE WOODEN LEGS TO THE FOOTBOARD.



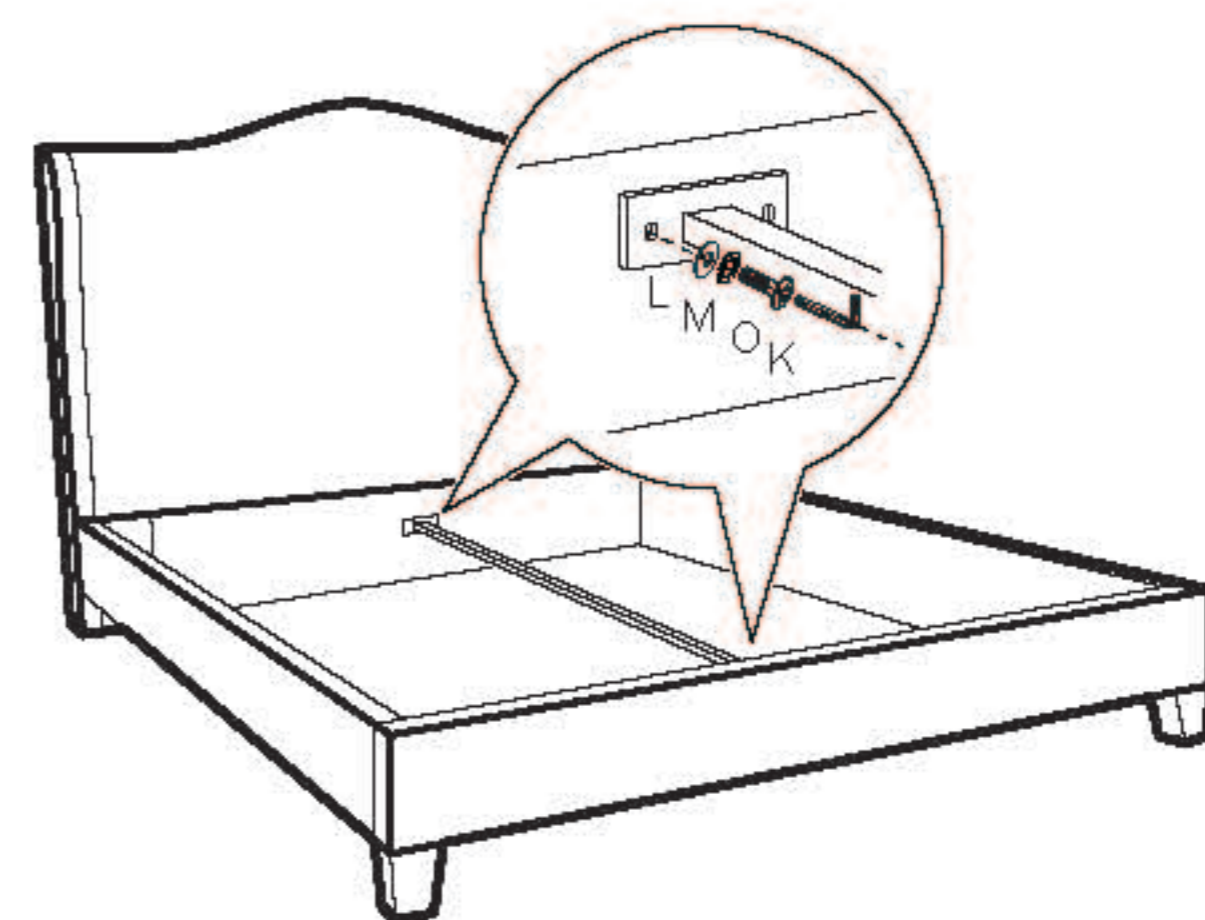
STEP3 :
FIX SUPPORT LEGS TO CENTER SUPPORT BAR.



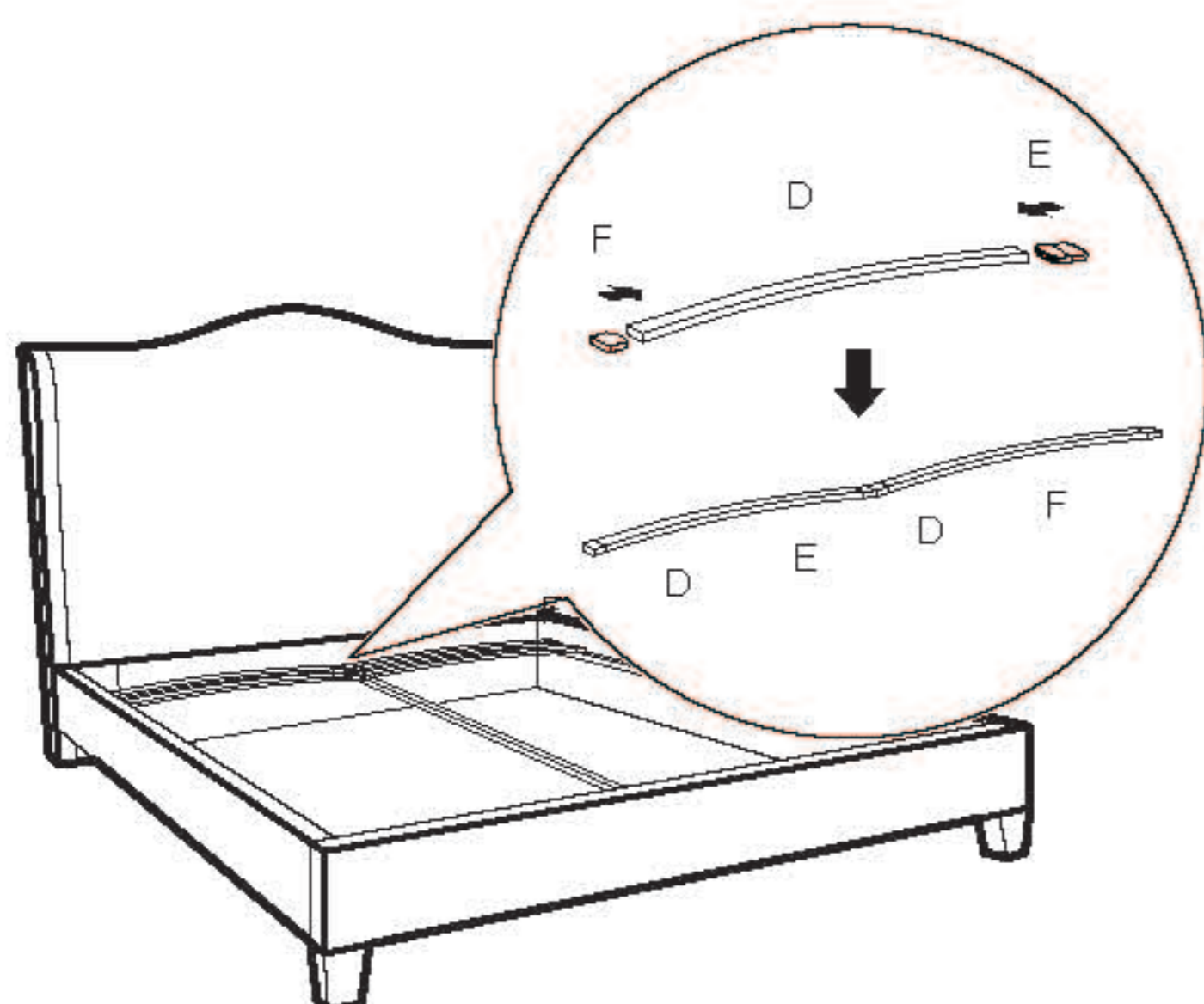
STEP4 :
FIX SIDE RAILS TO HEADBOARD.



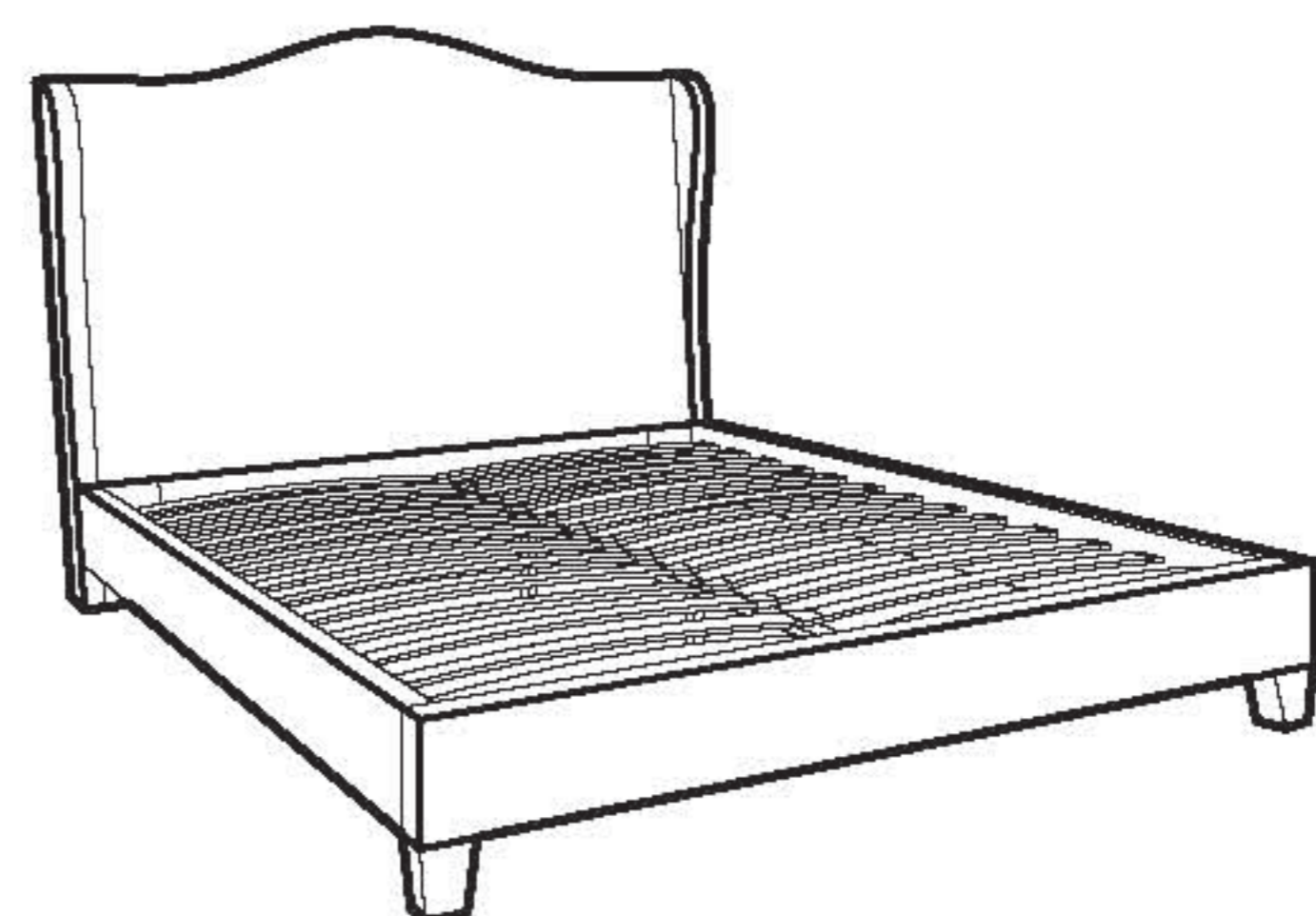
STEP5 :
FIX SIDE RAILS TO FOOTBOARD.



STEP6 :
FIX CENTER SUPPORT BAR TO HEADBOARD AND FOOTBOARD.



STEP7 :
PLASTIC CAPS AND SLATS.



FINISH