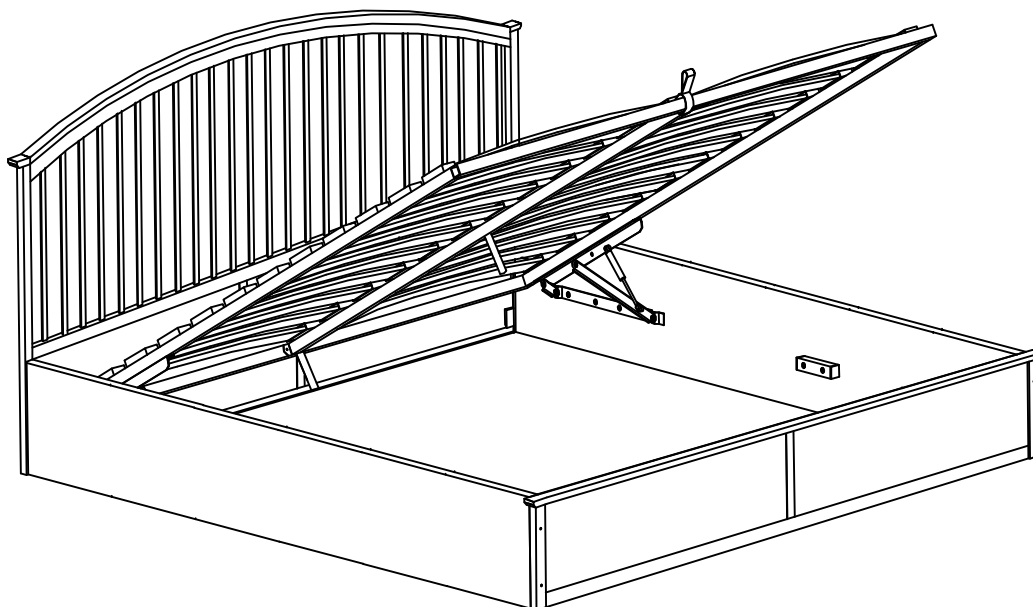


MADRID WOODEN OTTOMAN BED 4FT 6IN ASSEMBLY INSTRUCTIONS

Thank you for purchasing the MADRID WOODEN OTTOMAN BED 4FT 6IN. Please read the instructions carefully to ensure safe operation of the product.



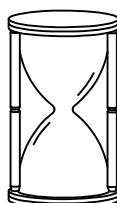
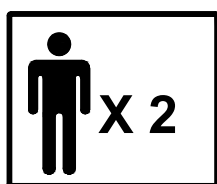
Size: 4FT 6IN L 2016 X W 1500 X H 1140
Colour : WHITE, OAK, GREY

PLEASE READ this sheet prior to assembly to familiarise yourself with the various stages of construction.

Carefully open the pack supplied and check the contents against the parts and fittings check list. Do not destroy any of the packaging until you are certain that you have all the necessary parts for the assembly.

CAUTION: There are small components used in the construction of this unit. These loose items should be kept away from young children whilst assembling your unit to avoid the danger of choking hazards.

Tools Required



1 Hour
Set Up

MADRID WOODEN OTTOMAN BED 4FT 6IN

ASSEMBLY INSTRUCTIONS

IMPORTANT - READ CAREFULLY - RETAIN THESE INSTRUCTIONS FOR FUTURE REFERENCE.

INFORMATION

- This product is intended for a maximum person's weight of 130kg per side. Do not exceed this weight.
- Due to the size of this product we recommend that it is assembled in the room intended for use.
- When you are ready to start, make sure that you have the right tools, plenty of space and a clean, dry area for assembly.
- Unwrap all packaging materials and place the components on top of the carton box or on a clean floor to prevent it from scratching.
- Check the pack and make sure you have all the parts listed.
- Ensure that this product is fully assembled and secured as illustrated before use.
- Check all screws or bolts are tightened and inspect regularly.
- This product should only be used on firm, level ground.
- Please dismantle for transportation.
- Tools not included.

WARNING

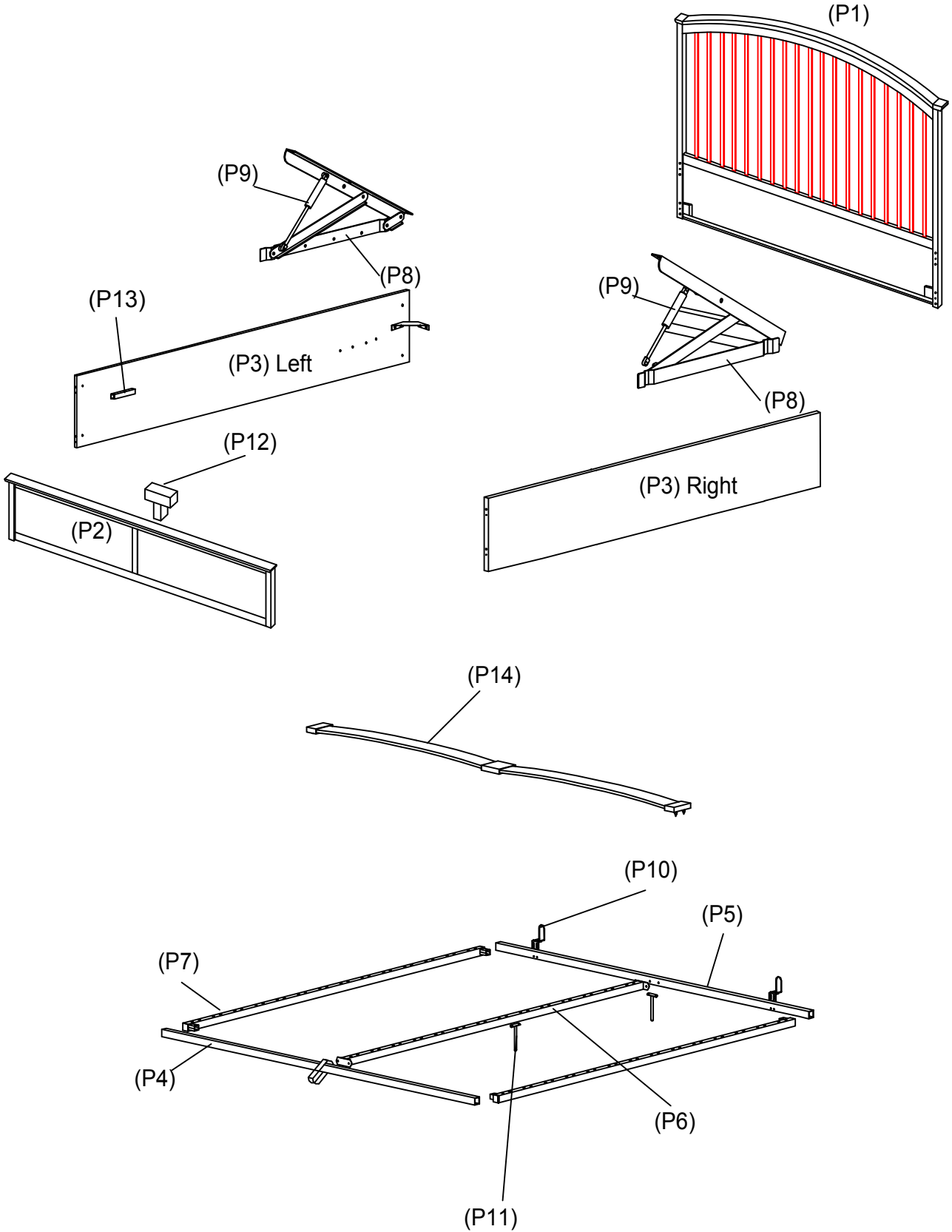
- Keep small parts out of reach of children.
- Make sure the legs remain in contact with the ground.
- **DO NOT** use power tools to construct this product.
- **DO NOT** tighten screws until fully assembled.
- **DO NOT** over tighten screws or bolts.
- **DO NOT** use this product if parts are missing, damaged or worn.
- **DO NOT** stand on the product.
- This bed uses a pressured mechanism, always use caution when operating.
- **DO NOT** remain on the bed whilst the lifting mechanism is in use.
- Only use the storage compartment when the frame is fully raised in the up position.
- Please pay particular attention when children or animals are present to ensure that no accidental entrapment occurs whilst operating this product.
- Keep hand and fingers clear of the mechanism when opening and closing the bed for use.
- Incorrect installation could lead to injury, take care following instruction.
- Take care when adjusting positions to avoid trapping of body parts.

CARE INFORMATION

- Never use scourers, abrasives or chemical cleaners.
- To clean wipe with a sponge and warm soapy water. Do not use solvent based cleaners or detergents as they can bleach or damage the product.

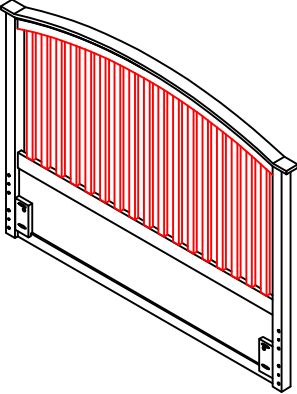
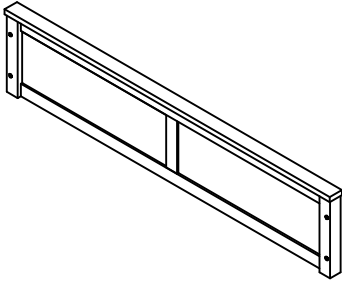
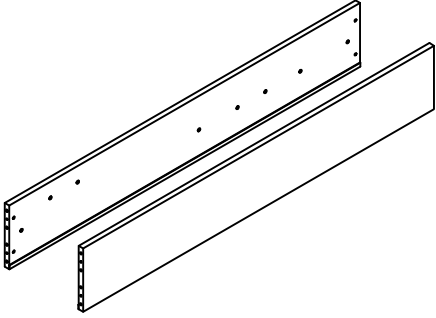
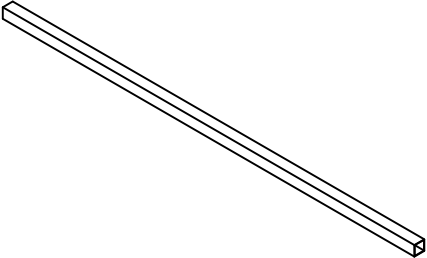
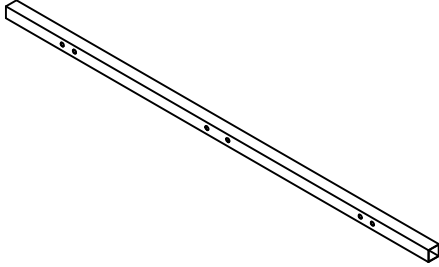
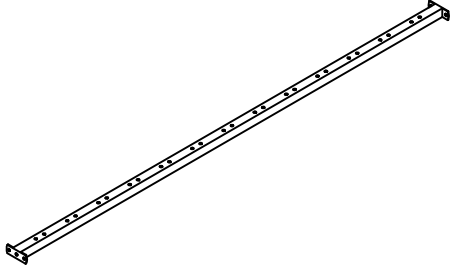
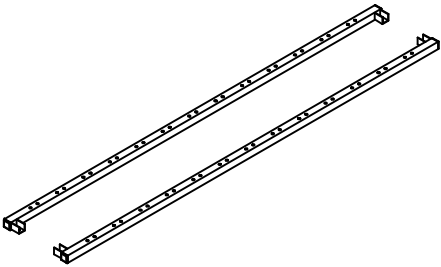
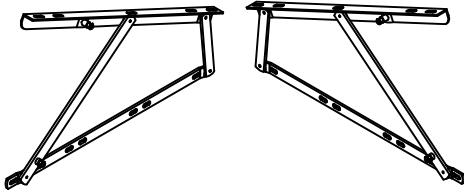
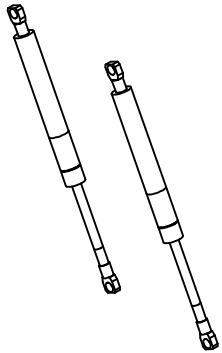
MADRID WOODEN OTTOMAN BED 4FT 6IN ASSEMBLY INSTRUCTIONS

Please check the pack contents before assembling the product. If any components are missing, please contact your retailer. The fittings pack contains small items that should be kept away from small children.



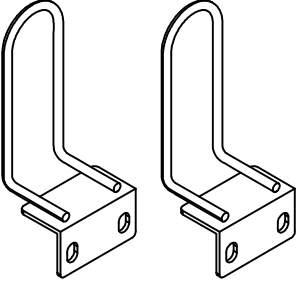
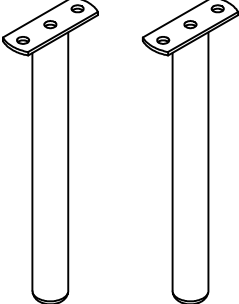
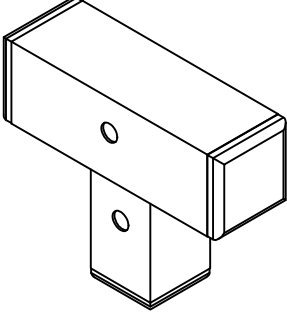
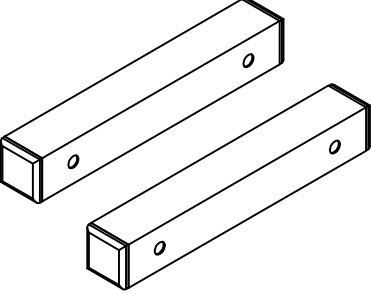
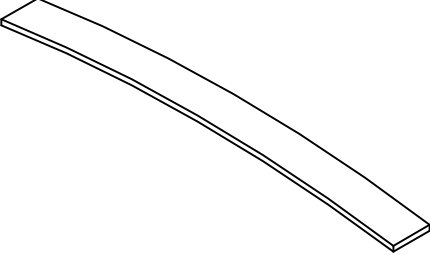
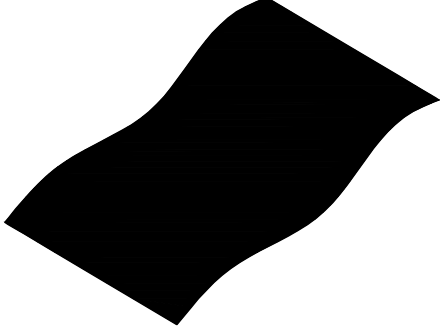
MADRID WOODEN OTTOMAN BED 4FT 6IN ASSEMBLY INSTRUCTIONS

Parts

<p>P1</p> 	<p>P2</p> 	<p>P3</p> 
<p>HEADBOARD 1PC Carton No: 1</p>	<p>FOOTBOARD 1PC Carton No: 2</p>	<p>SIDE RAIL LEFT AND RIGHT 2PCS Carton No: 2</p>
<p>P4</p> 	<p>P5</p> 	<p>P6</p> 
<p>FRONT TUBE 1PC Carton No: 3</p>	<p>BACK TUBE 1PC Carton No: 3</p>	<p>CENTRE TUBE 1PC Carton No: 3</p>
<p>P7</p> 	<p>P8</p>  <p style="text-align: center;">LEFT RIGHT</p>	<p>P9</p> 
<p>SIDE TUBE 2PCS Carton No: 3</p>	<p>HINGE 2PCS Carton No: 3</p>	<p>PISTON 2PCS Carton No: 3</p>

MADRID WOODEN OTTOMAN BED 4FT 6IN ASSEMBLY INSTRUCTIONS

Parts

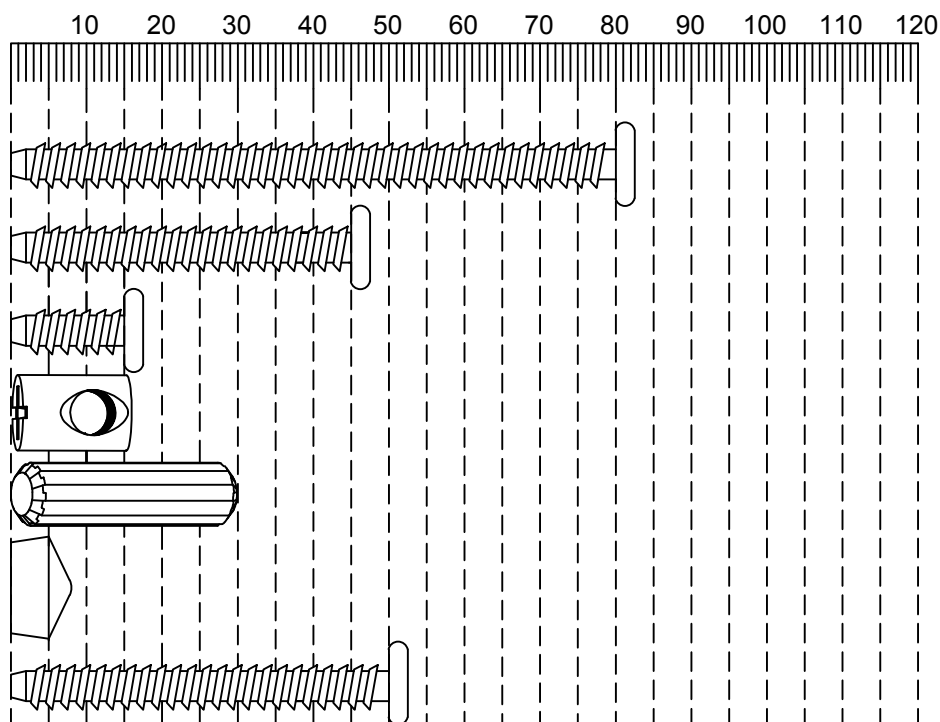
<p>P10</p> 	<p>P11</p> 	<p>P12</p> 
<p>MATTRESS STOPPER 2PCS Carton No: 2</p>	<p>SUPPORT LEG 2PCS Carton No: 2</p>	<p>HOLDING BLOCK 1PC Carton No: 2</p>
<p>P13</p> 	<p>P14</p> 	<p>P15</p> 
<p>HOLDING TUBE 2PCS Carton No: 3</p>	<p>WOODEN SLAT 26PCS Carton No: 3</p>	<p>NON-WOVEN FABRIC 1PC Carton No: 2</p>

MADRID WOODEN OTTOMAN BED 4FT 6IN

ASSEMBLY INSTRUCTIONS

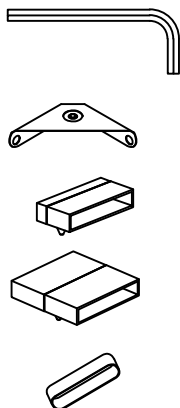
Fixings (to scale)

Ref	Dimensions	Qty
H1	JCBC SCREW M6 X 80MM	8
H2	JCBC SCREW M6 X 45MM	5
H3	JCBC SCREW M6 X 15MM	38
H4	BARREL NUT M6 X 16MM	8
H5	DOWEL M10 X 30MM	16
H11	WOOD BUTTON 8MM	8
H13	JCBC SCREW M6 X 50MM	1



(Not to scale)

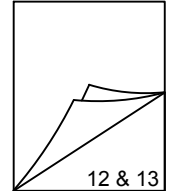
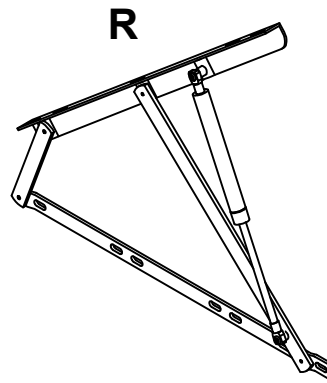
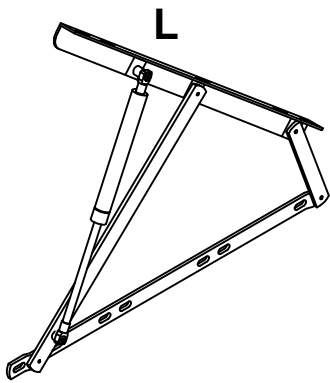
Ref	Dimensions	Qty
H6	M4 ALLEN KEY	1
H8	CORNER BRACKET	4
H9	PLASTIC END CAP	26
H10	PLASTIC CENTRE CAP	13
H12	BELT	1



CAUTION: There are many small components used in the construction of this product. Please keep these components away from young children whilst assembling this product.

If you keep the fittings in a bowl during assembly you will be less likely to lose them

MADRID WOODEN OTTOMAN BED 4FT 6IN ASSEMBLY INSTRUCTIONS



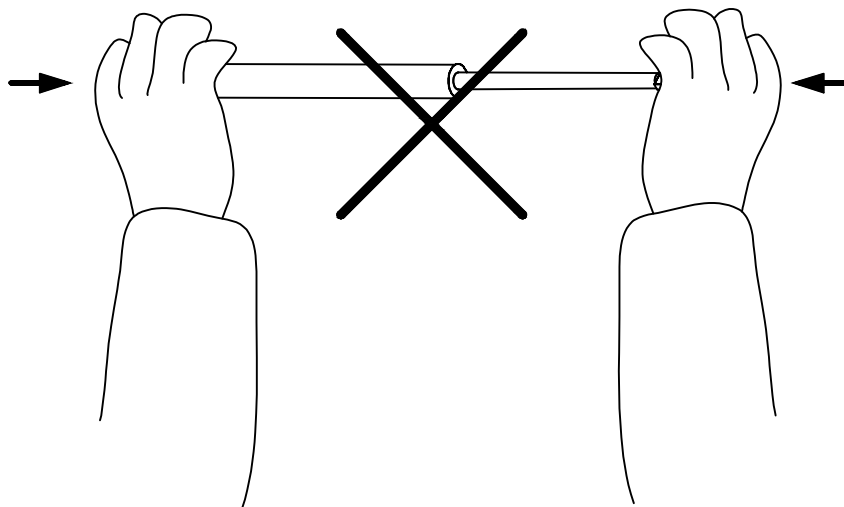
Turn to page 12 & 13 for fitting the hinges

! IMPORTANT PISTON INFORMATION

The pistons used in the construction of this product are extremely strong and cannot be operated by hand when not fitted to the ottoman hinges. All pistons are tested in the factory for correct pressure and operation before use.

Initially it might appear that the pistons are very stiff when opening and closing the ottoman frame, THIS IS NORMAL.

After operating the ottoman a few times, the movement of the pistons and the opening and closing of the ottoman will become easier.

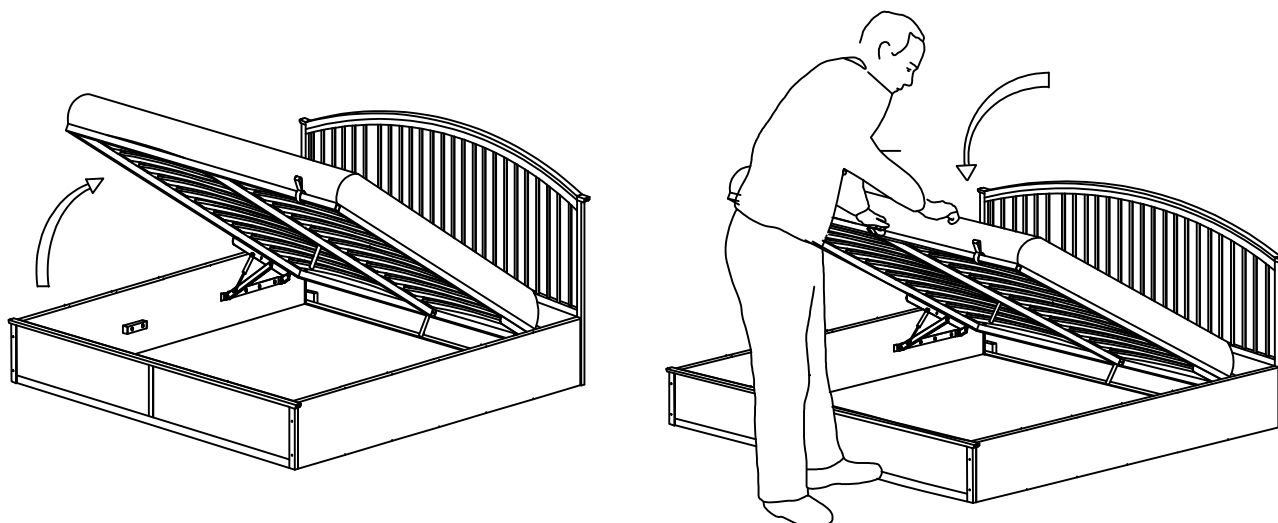


MADRID WOODEN OTTOMAN BED 4FT 6IN ASSEMBLY INSTRUCTIONS

Hints and Tips

To operate the ottoman, always use 2 hands at arm's length and only where illustration on this product. You must ensure the mattress is on the bed frame before lifting the mechanism. **Failure to do so may result in injury.**

To ensure your safety please do not stand too close in case the frame bounces up. The weight of the mattress loaded on the frame will keep the frame in a lower position until it is pulled upwards by the user.



Do not attempt to move the bed whilst the frame is in the upright position

If removing the mattress, make sure the frame is secured so it does not flip open. When lifting the bed frame, remove pillows and covers.

PLEASE NOTE - It takes a lot of force to make the initial movement of the ottoman - **THIS IS A DESIGN FEATURE OF THE PRODUCT SO THAT IT DOES NOT FALL SHUT** - and the nearer to being closed the ottoman is, the easier it is to move. When the ottoman is almost shut, it will close completely under its own weight.

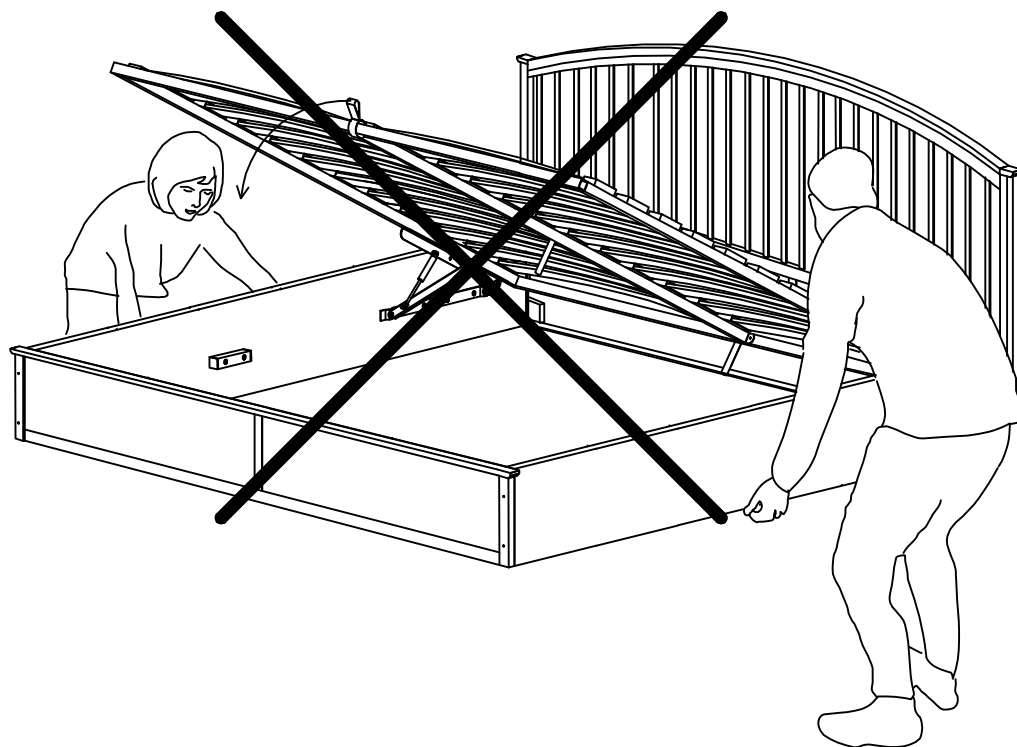
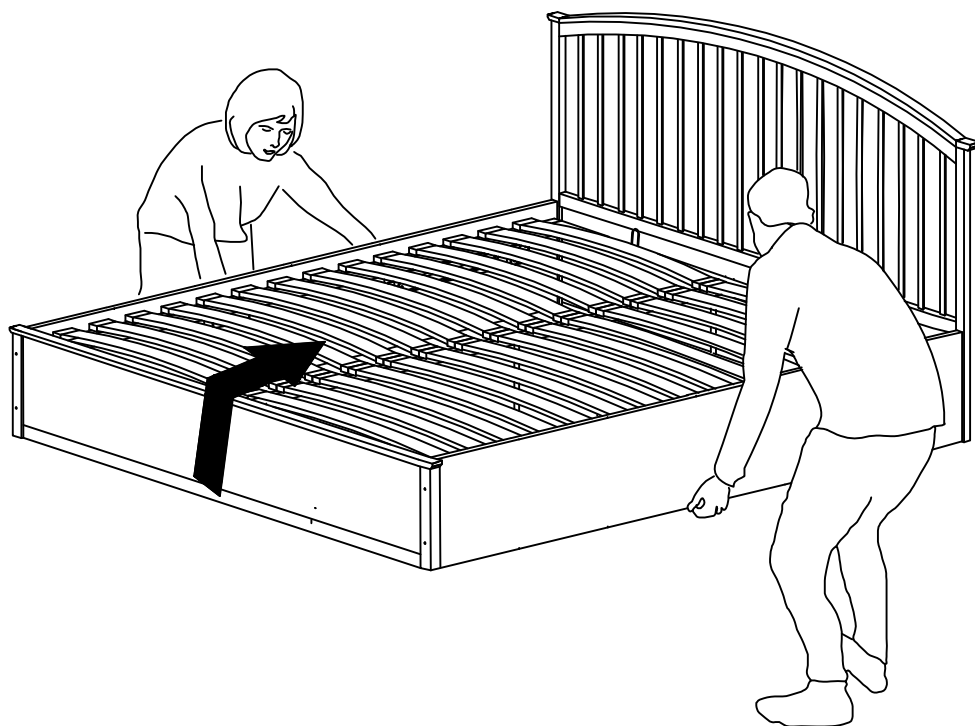
When lowering the slat unit for the first time, take care to make sure it does not rub unevenly on the inside face of the Side Rail. If it does, the bed has been assembled slightly out of square. This can be rectified by moving the Footboard of the bed slightly to the left or right whilst leaving the headboard of the bed frame stationary.

Tip for difficulty with compression:

If you are experiencing difficulty with the initial compression try fitting one piston at a time (following the Assembly Instructions) then press down on the side of the frame with the piston fitted - this acts like a big lever (The weight of the mattress can be used to supplement the load exerted). Effectively you are doubling the amount of force applied, because you have halved the resistance offered by the pistons. It can take slightly more effort than you might feel comfortable applying to the bed frame at first.

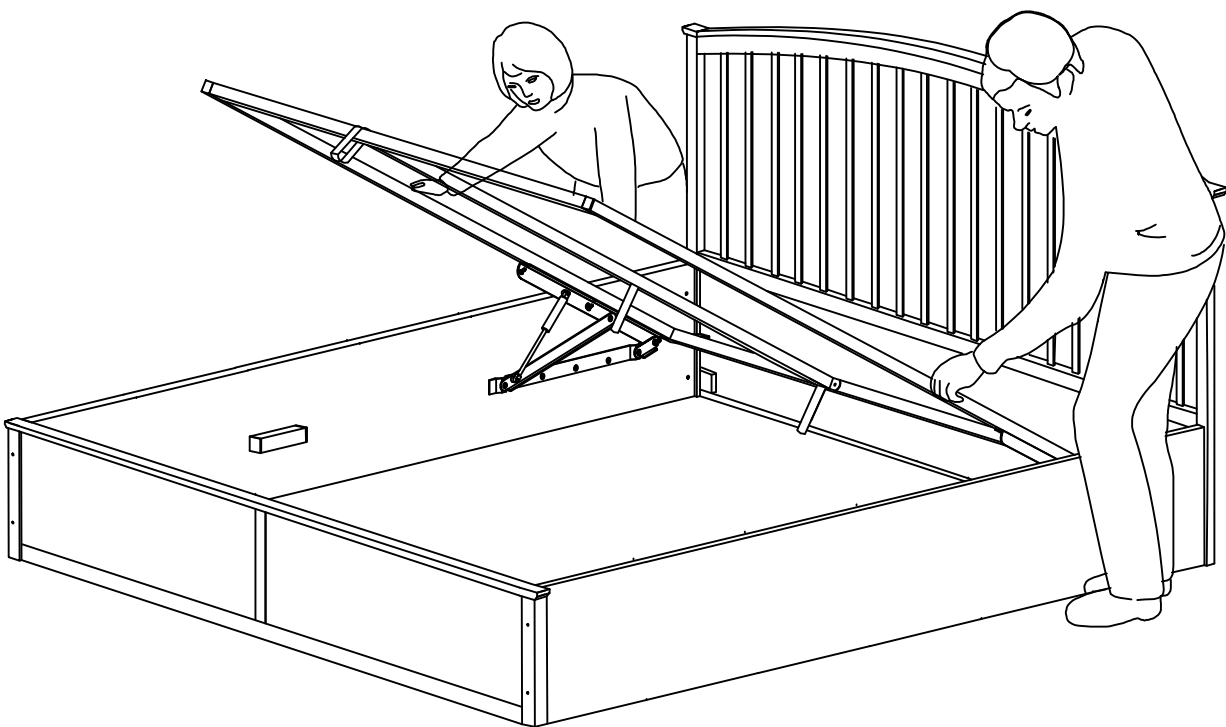
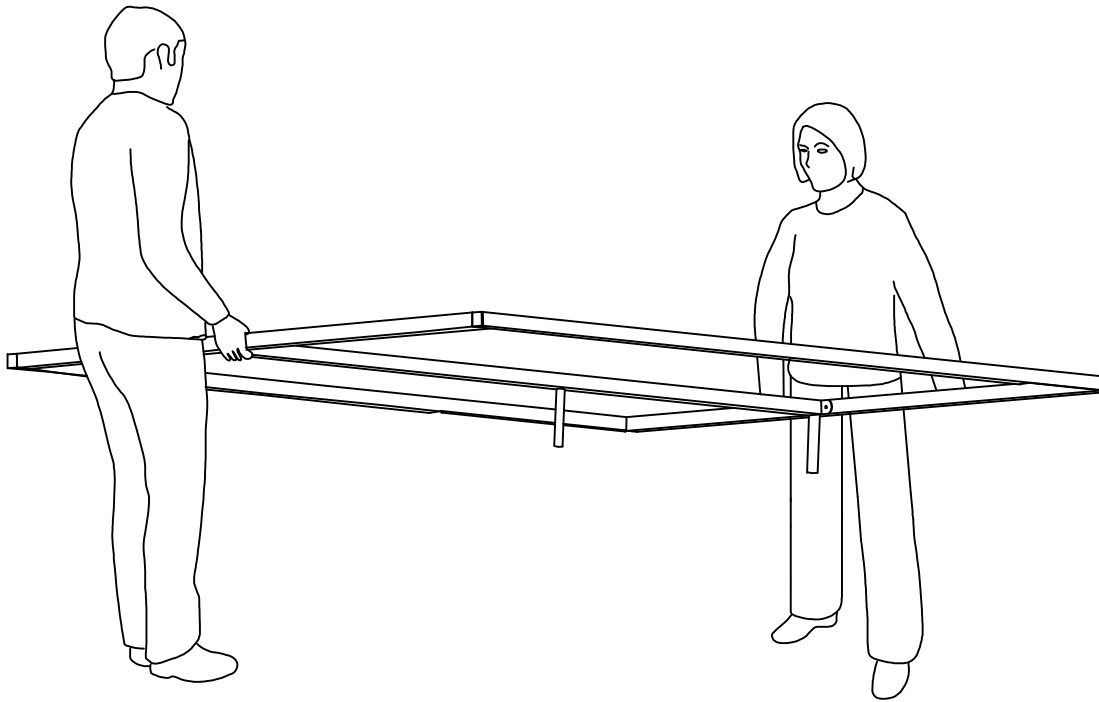
MADRID WOODEN OTTOMAN BED 4FT 6IN ASSEMBLY INSTRUCTIONS

Do not attempt to move the bed whilst the frame is in the upright position.



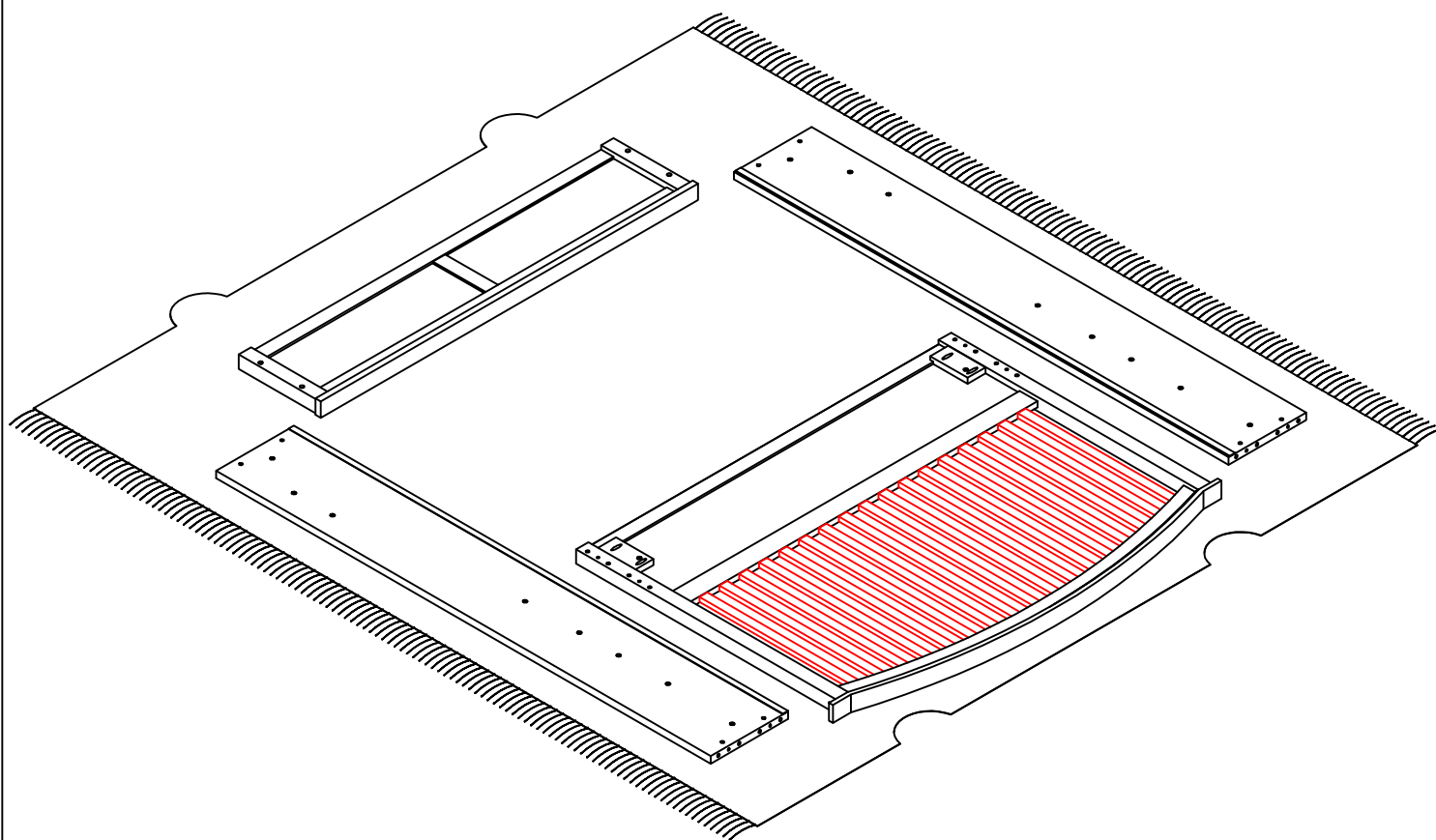
MADRID WOODEN OTTOMAN BED 4FT 6IN ASSEMBLY INSTRUCTIONS

2 people are required to fit the frame safety.



MADRID WOODEN OTTOMAN BED 4FT 6IN ASSEMBLY INSTRUCTIONS

Lay out all 4 sides on a soft surface i.e. Rug, Carpet or Packaging Carton

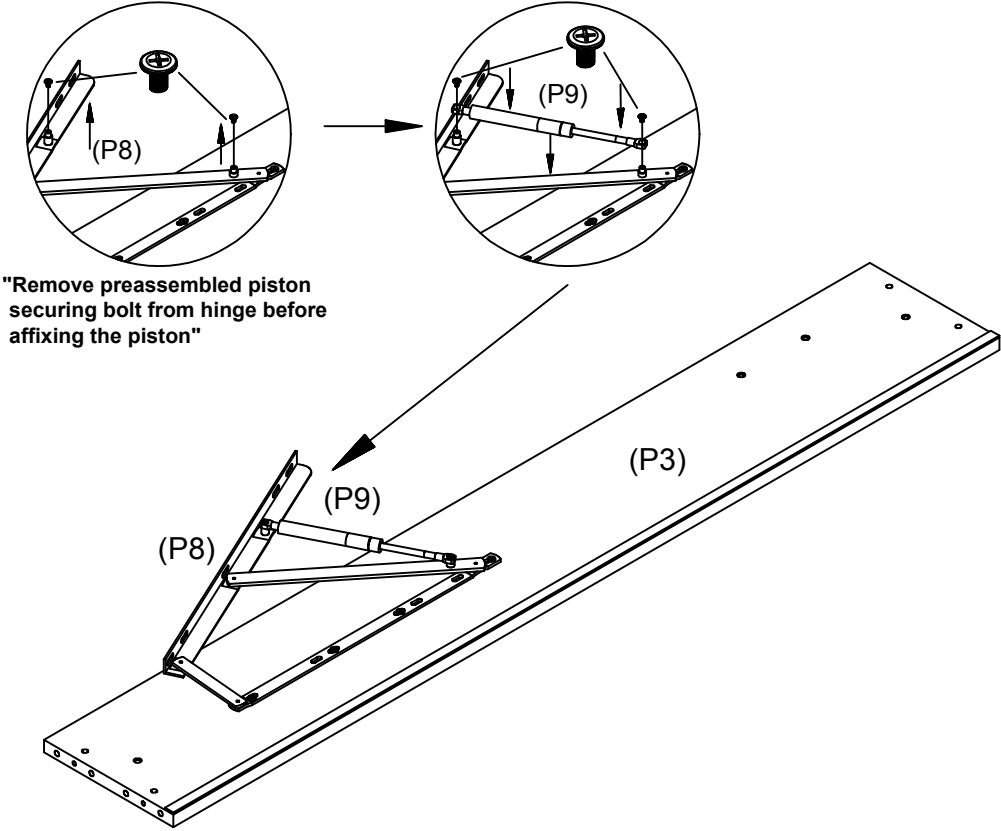


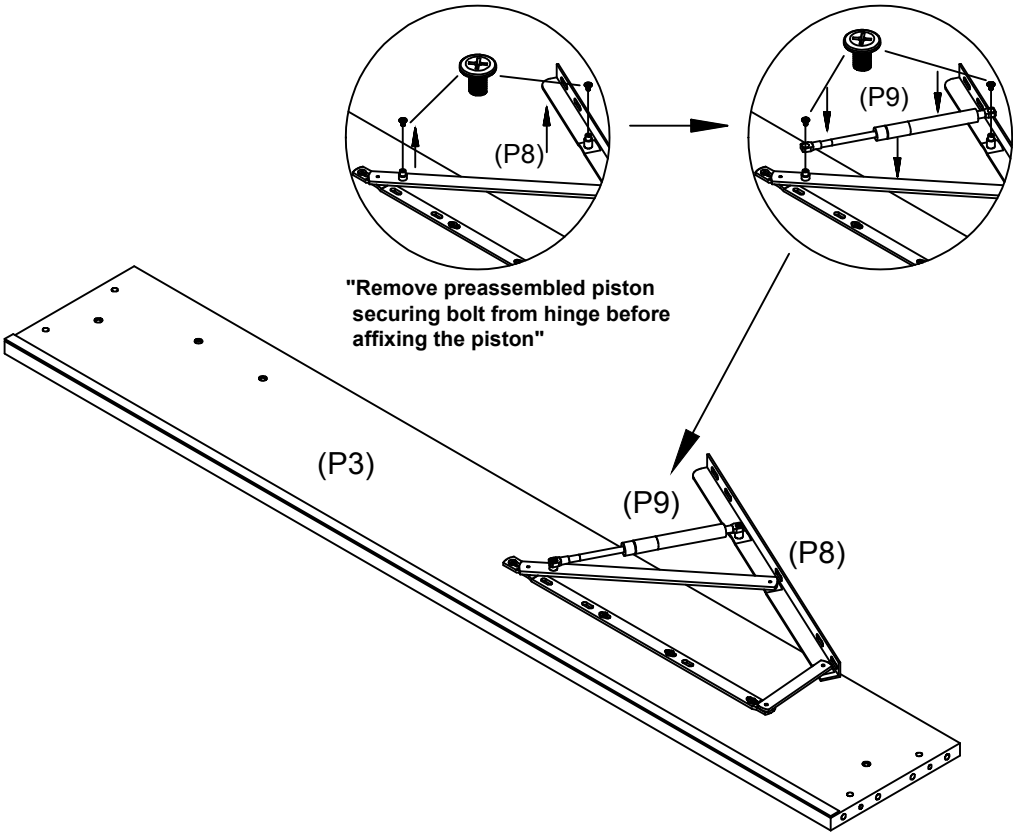
MADRID WOODEN OTTOMAN BED 4FT 6IN ASSEMBLY INSTRUCTIONS

STEP 1 (Right Side Rail)	Parts Required
	<p>(P3) Side Rail - 1pc</p> <p>(P8) Hinge - 1pc</p> <p>(H3) JCBC Screw M6x15mm - 1pc</p> <p>(H6) M4 Allen Key - 1pc</p>

STEP 2 (Left Side Rail)	Parts Required
	<p>(P3) Side Rail - 1pc</p> <p>(P8) Hinge - 1pc</p> <p>(H3) JCBC Screw M6x15mm - 1pc</p> <p>(H6) M4 Allen Key - 1pc</p>

MADRID WOODEN OTTOMAN BED 4FT 6IN ASSEMBLY INSTRUCTIONS

STEP 3 (Right Side Rail)	Parts Required
 <p style="margin-left: 20px;">"Remove preassembled piston securing bolt from hinge before affixing the piston"</p>	<p>(P3) Side Rail - 1pc</p> <p>(P8) Hinge - 1pc</p> <p>(P9) Piston - 1pc</p>

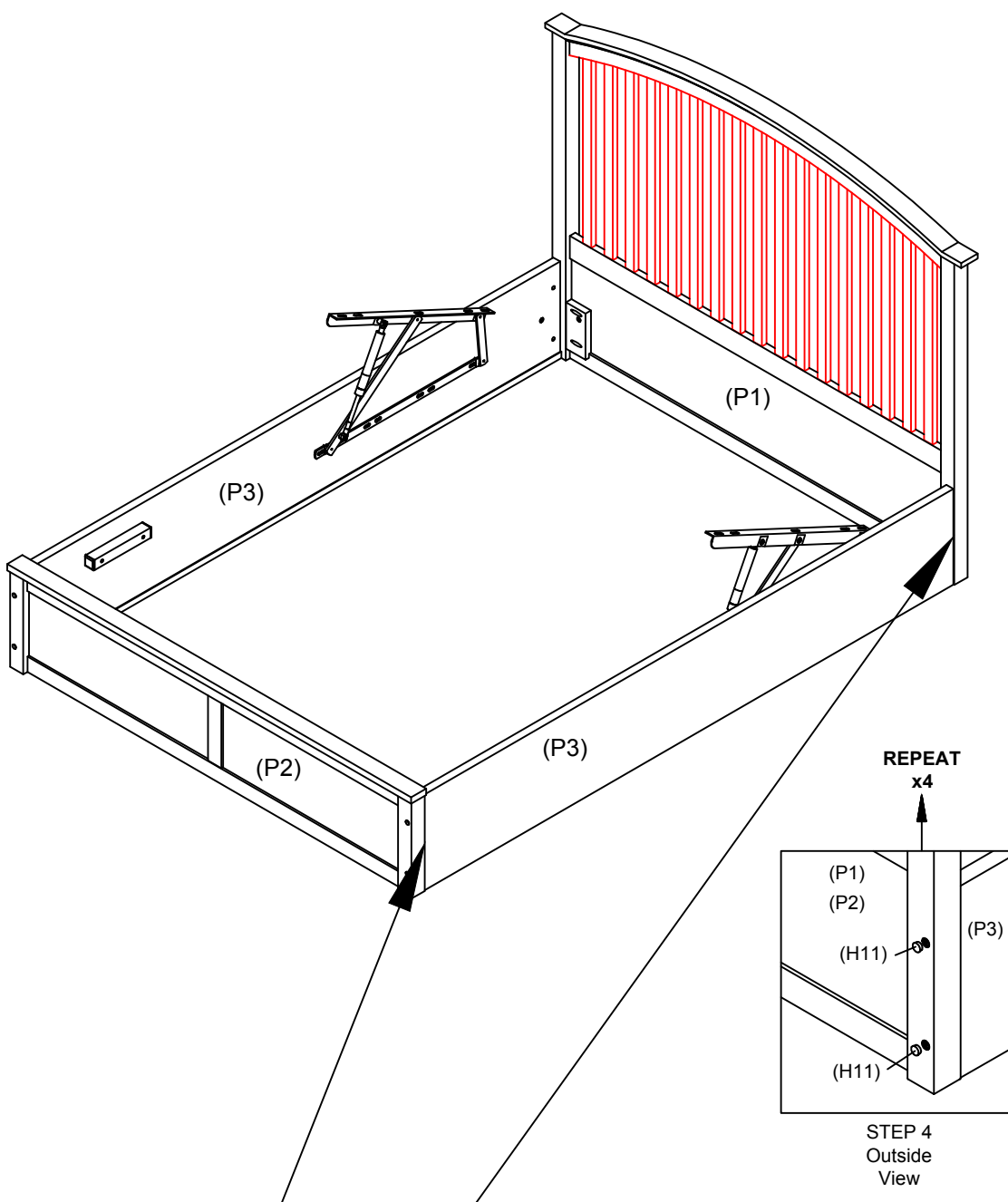
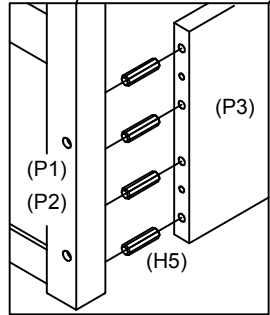
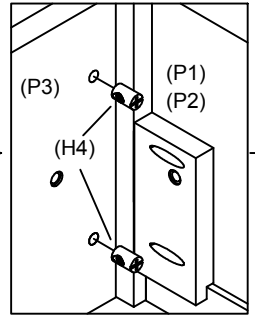
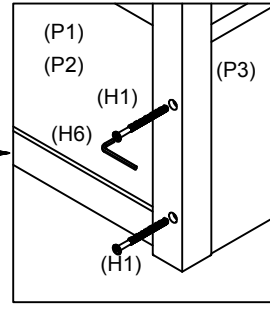
STEP 4 (Left Side Rail)	Parts Required
 <p style="margin-left: 20px;">"Remove preassembled piston securing bolt from hinge before affixing the piston"</p>	<p>(P3) Side Rail - 1pc</p> <p>(P8) Hinge - 1pc</p> <p>(P9) Piston - 1pc</p>

MADRID WOODEN OTTOMAN BED 4FT 6IN ASSEMBLY INSTRUCTIONS

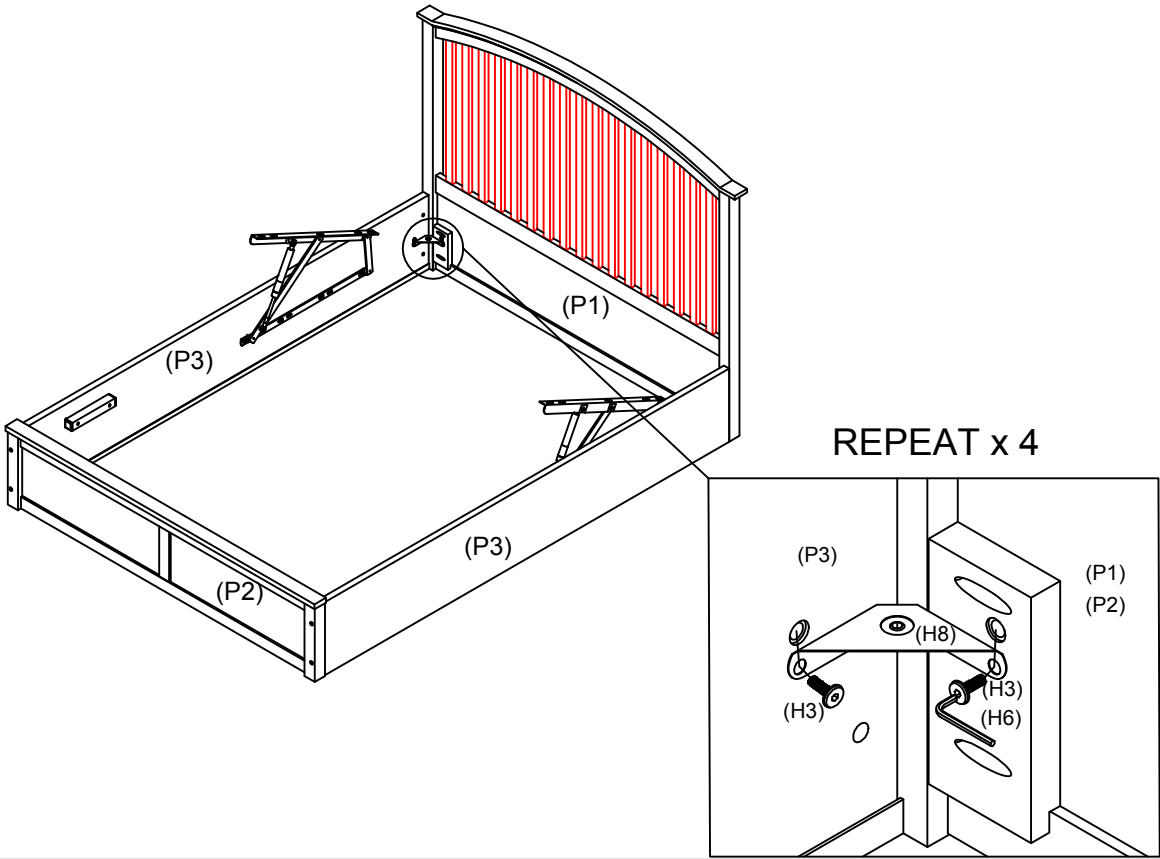
STEP 5 (Right Side Rail)	Parts Required
	<p>(P3) Side Rail - 1pc</p> <p>(P12) Holding Tube - 1pc</p> <p>(H2) JCBC Screw M6x45mm - 2pcs</p> <p>(H6) M4 Allen Key - 1pc</p>

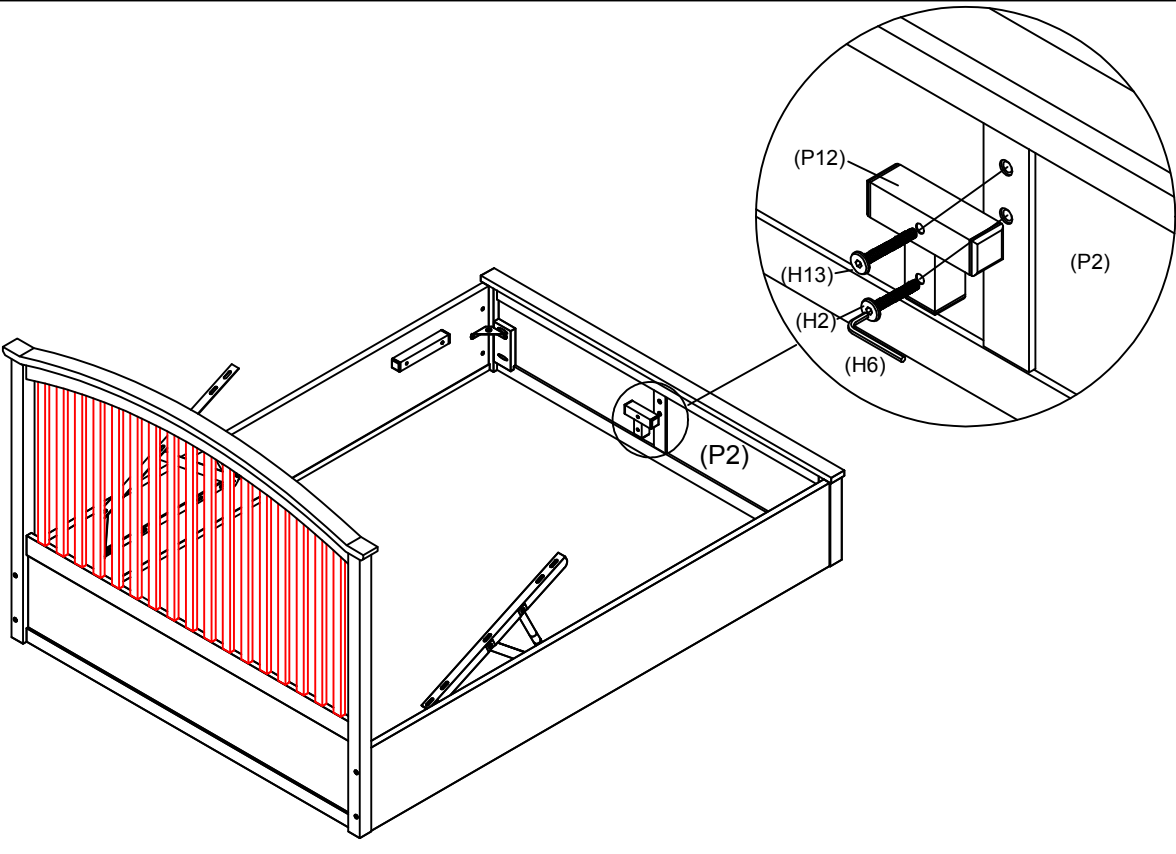
STEP 6 (Left Side Rail)	Parts Required
	<p>(P3) Side Rail - 1pc</p> <p>(P12) Holding Tube - 1pc</p> <p>(H2) JCBC Screw M6x45mm - 2pcs</p> <p>(H6) M4 Allen Key - 1pc</p>

MADRID WOODEN OTTOMAN BED 4FT 6IN ASSEMBLY INSTRUCTIONS

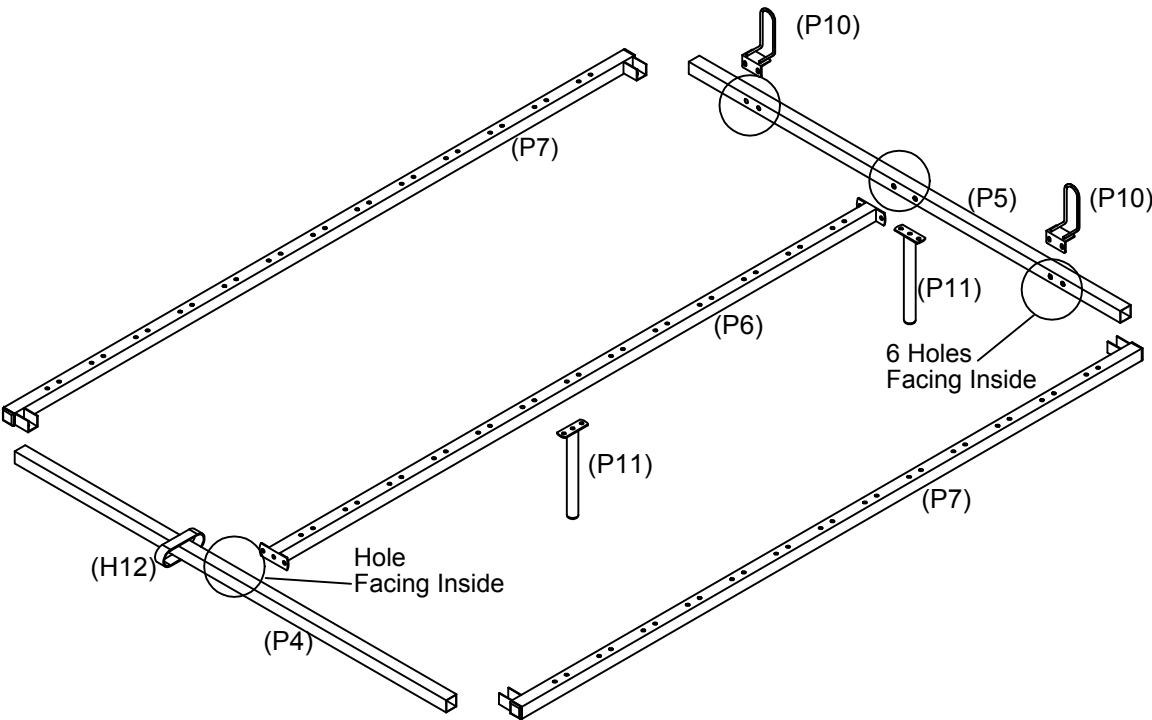
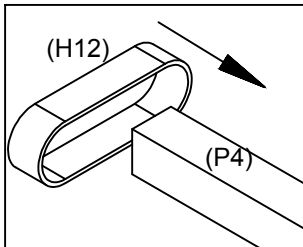
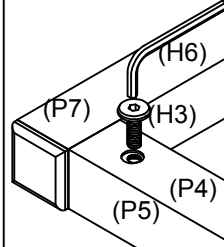
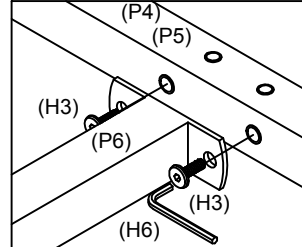
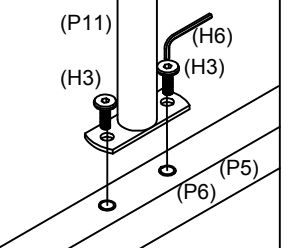
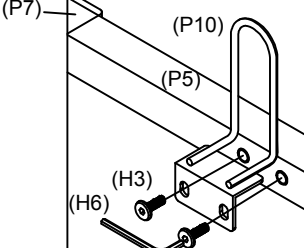
STEP 7	Parts Required
 <p style="text-align: center;">REPEAT x4</p> <p style="text-align: center;">STEP 4 Outside View</p>	<p>(P1) Headboard - 1pc</p> <p>(P2) Footboard - 1pc</p> <p>(P3) Side Rail - 2pcs</p> <p>(H1) JCBC Screw M6x80mm - 8pcs</p> <p>(H4) Barrel Nut M6x16mm - 8pcs</p> <p>(H5) Dowel M10x30mm - 16pcs</p> <p>(H6) M4 Allen Key - 1pc</p> <p>(H11) Wood Button 8mm - 8pcs</p>
<div style="display: flex; justify-content: space-around;"> <div style="text-align: center;">  <p>STEP 1 Outside View</p> </div> <div style="text-align: center;">  <p>STEP 2 Inside View</p> </div> <div style="text-align: center;">  <p>STEP 3 Outside View</p> </div> </div>	

MADRID WOODEN OTTOMAN BED 4FT 6IN ASSEMBLY INSTRUCTIONS

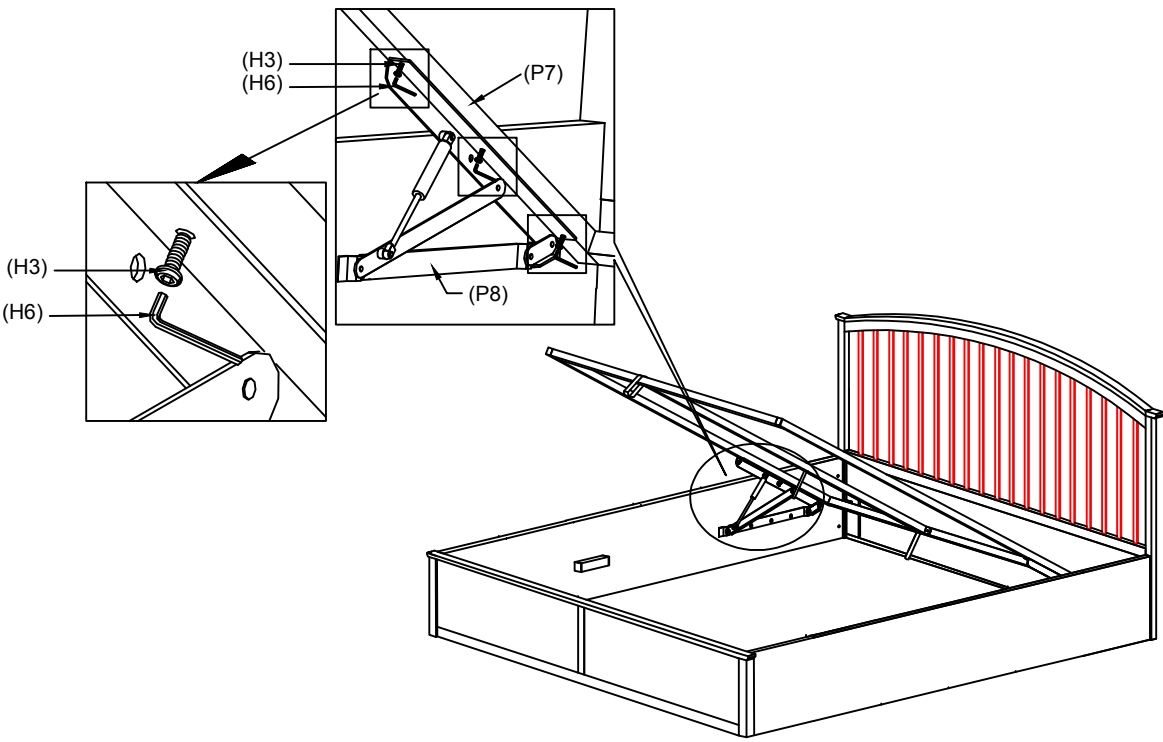
STEP 8	Parts Required
 <p>REPEAT x 4</p>	<p>(P1) Headboard - 1pc</p> <p>(P2) Footboard - 1pc</p> <p>(P3) Side Rail - 2pcs</p> <p>(H3) JCBC Screw M6x15mm - 8pcs</p> <p>(H6) M4 Allen Key - 1pc</p> <p>(H8) Corner Bracket - 4pcs</p>

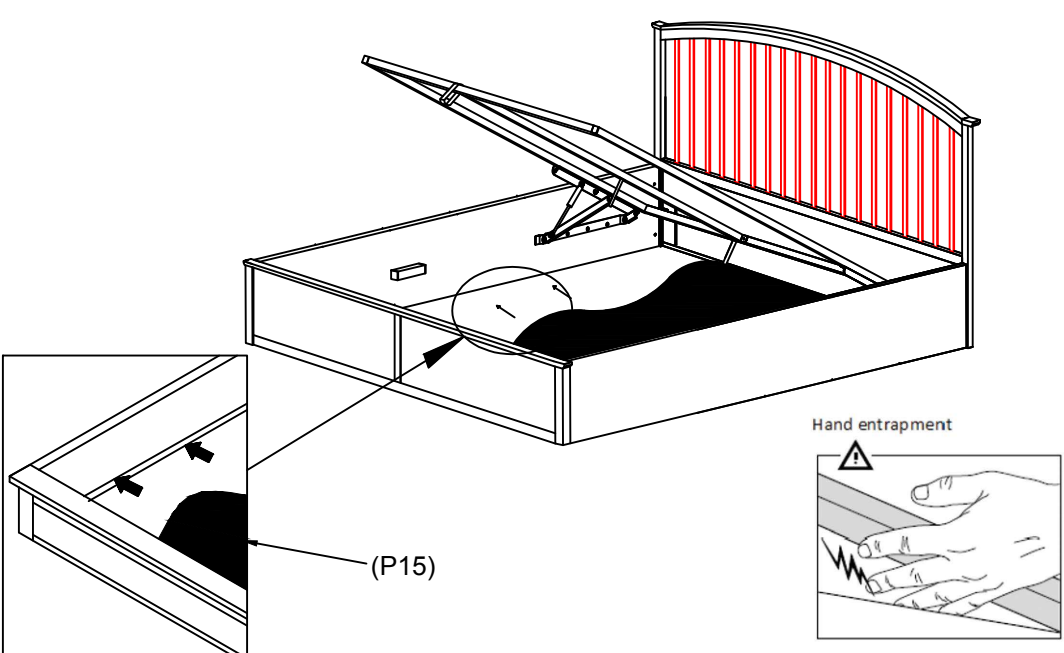
STEP 9	Parts Required
	<p>(P2) Footboard - 1pc</p> <p>(P12) Holding Block - 1pc</p> <p>(H2) JCBC Screw M6x45mm - 1pc</p> <p>(H6) M4 Allen Key - 1pc</p> <p>(H13) JCBC Screw M6x50mm - 1pc</p>

MADRID WOODEN OTTOMAN BED 4FT 6IN ASSEMBLY INSTRUCTIONS

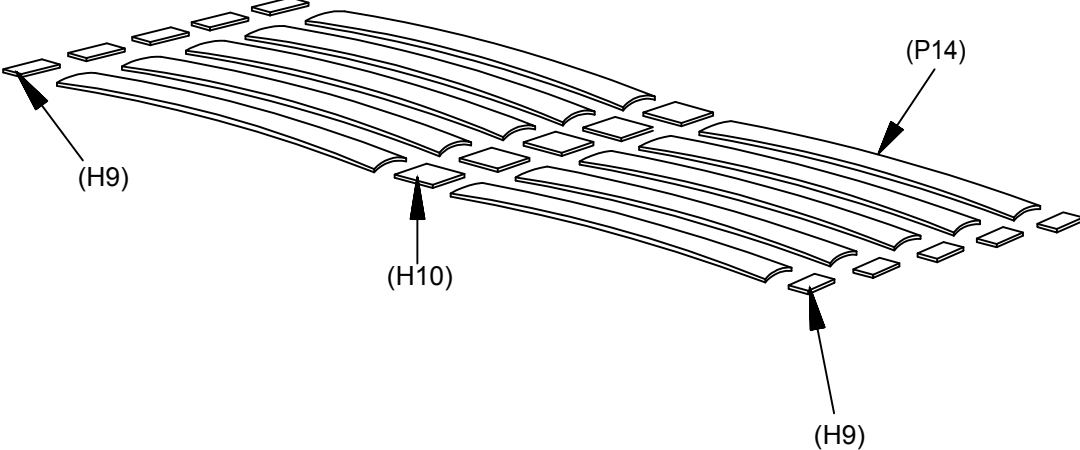
STEP 10	Parts Required
 <p style="margin-top: 20px;">STEP 1 Insert Belt (H12) into Front Tube (P4)</p>  <p style="margin-top: 10px;">STEP 2 Bottom View</p>  <p style="margin-top: 10px;">STEP 3 Bottom View</p>  <p style="margin-top: 10px;">STEP 4 Bottom View</p>  <p style="margin-top: 10px;">STEP 5 Top View</p> 	<p>(P4) Front Tube - 1pc</p> <p>(P5) Back Tube - 1pc</p> <p>(P6) Centre Tube - 1pc</p> <p>(P7) Side Tube - 2pcs</p> <p>(P10) Mattress Stopper - 2pcs</p> <p>(P11) Support Leg - 2pcs</p> <p>(H3) JCBC Screw M6x15mm - 16pcs</p> <p>(H6) M4 Allen Key - 1pc</p> <p>(H12) Belt - 1pc</p>

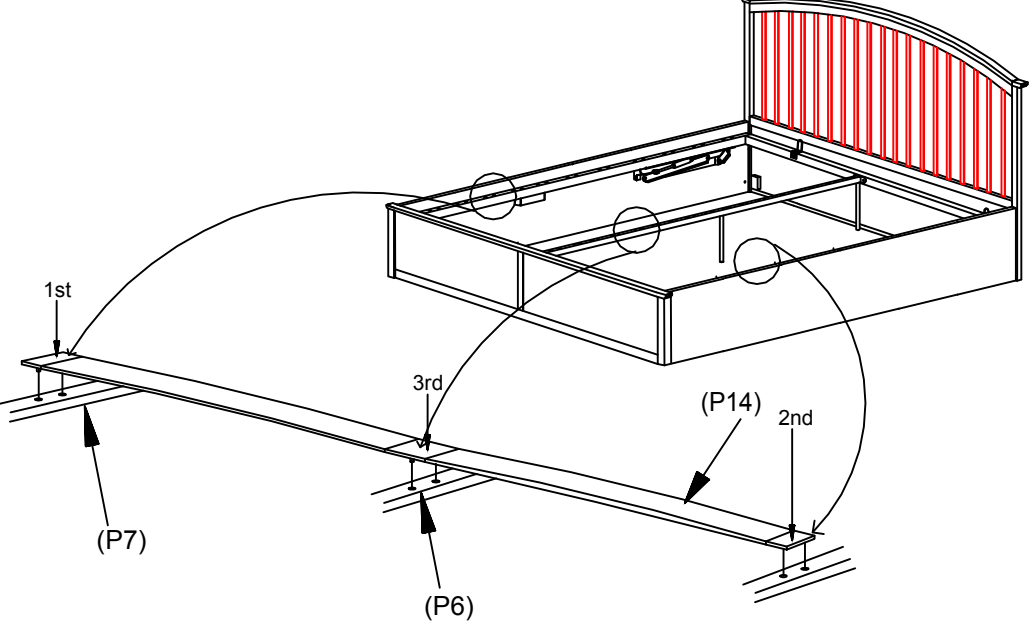
MADRID WOODEN OTTOMAN BED 4FT 6IN ASSEMBLY INSTRUCTIONS

STEP 11	Parts Required
	<p>(P7) Side Tube - 2pcs</p> <p>(P8) Hinge - 2pcs</p> <p>(H3) JCBC Screw M6x15mm - 6pcs</p> <p>(H6) M4 Allen key - 1pc</p>

STEP 12	Parts Required
	<p>(P15) Non-Woven Fabric - 1pc</p>

MADRID WOODEN OTTOMAN BED 4FT 6IN ASSEMBLY INSTRUCTIONS

STEP 13	Parts Required
	<p>(P14) Wooden Slat - 26pcs</p> <p>(H9) Plastic End Cap - 26pcs</p> <p>(H10) Plastic Centre Cap - 13pcs</p>

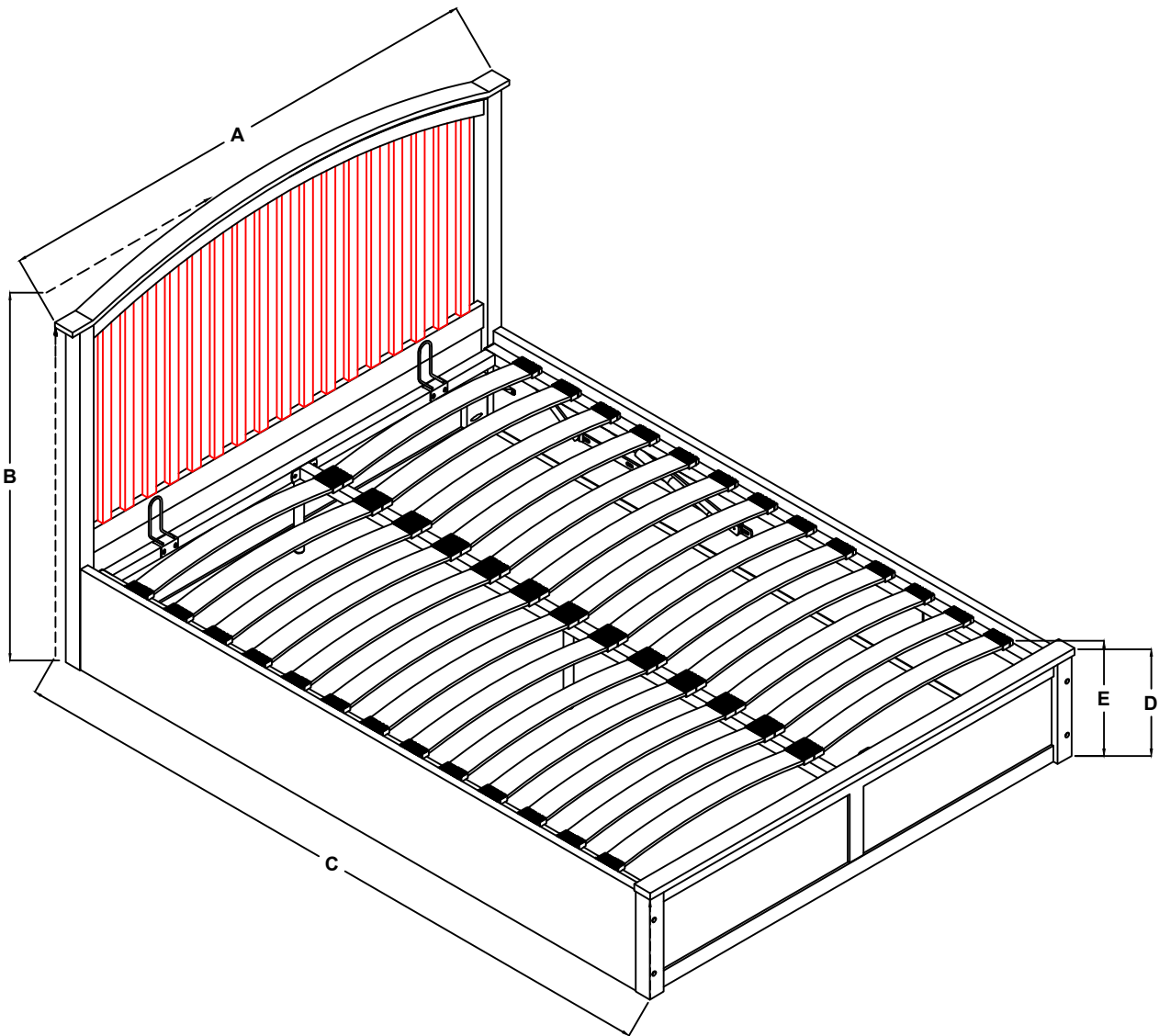
STEP 14	Parts Required
	<p>(P6) Centre Tube - 1pc</p> <p>(P7) Side Tube - 2pcs</p> <p>(P14) Wooden Slat - 26pcs</p> <p>(H9) Plastic End Cap - 26pcs</p> <p>(H10) Plastic Centre Cap - 13pcs</p>

MADRID WOODEN OTTOMAN BED 4FT 6IN ASSEMBLY INSTRUCTIONS

OVERALL DIMENSIONS COMMENTS:

Bed Dimensions Template:

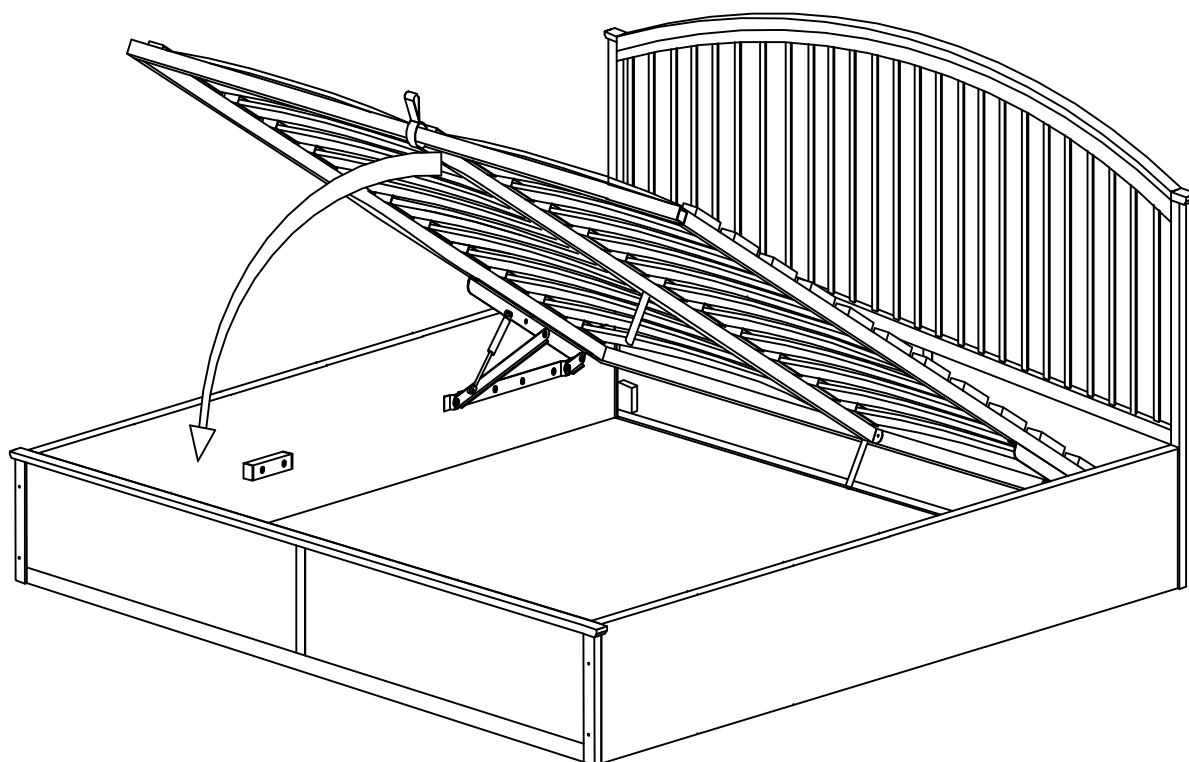
- A** - Bed Width - 1500mm
- B** - Bed Height - 1140mm
- C** - Bed Depth - 2016mm
- D** - Footboard Height - 322mm
- E** - Slat Height - 295mm
(Floor to the top of the slat)



MADRID WOODEN OTTOMAN BED 4FT 6IN ASSEMBLY INSTRUCTIONS

Complete Assembly

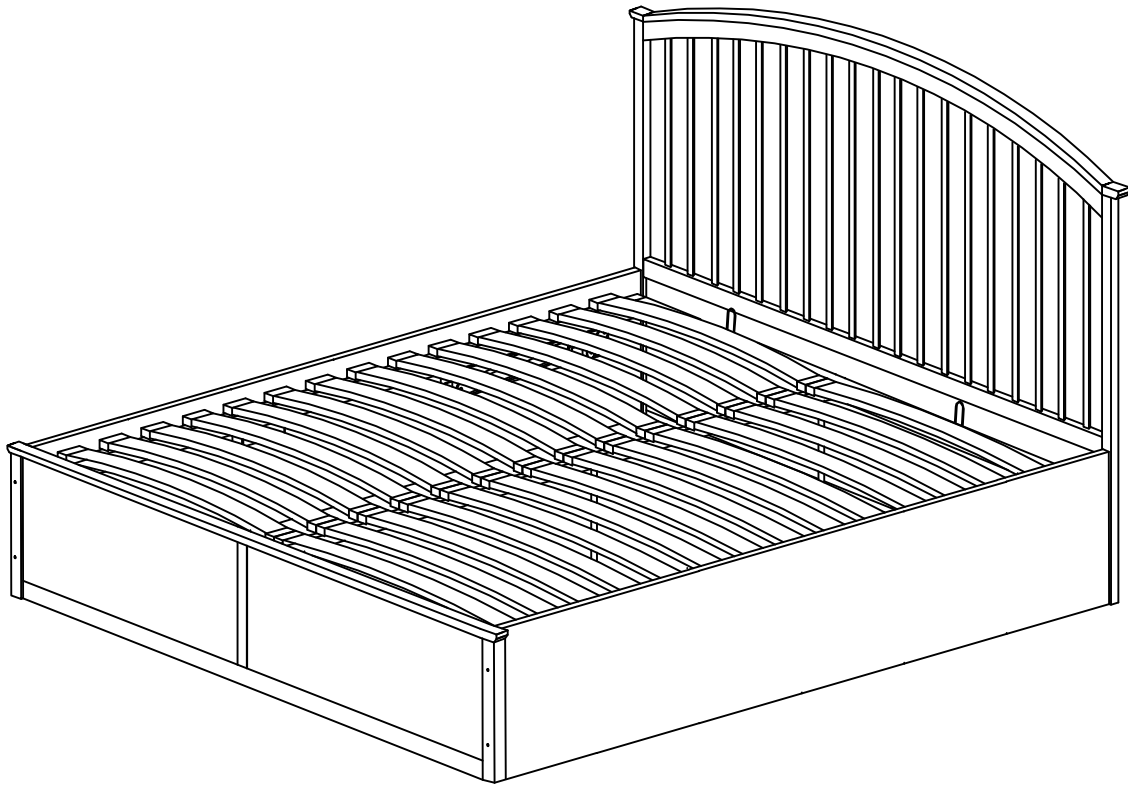
Your bed frame is now completely assembled but the ottoman will not operate correctly unless a mattress is placed on the slat frame and will not stay shut unless the mattress remains in position. To position the mattress on the slat frame, simply place the mattress on top of the slate frame whilst it is in the up (open) position.



Lift with the strap (H12) and close with the strap. The strap should always be accessible. Take care not to lean over the bed when lifting, if the mattress is thin and light, the frame may rise quickly. The speed of closing will also depend on the weight of the mattress so always keep fingers well clear of the metal frame.

PLEASE NOTE - It take a lot of force to make the initial movement of the ottoman - **THIS IS A DESIGN FEATURE OF THE PRODUCT SO THAT IT DOES NOT FALL SHUT** - and the nearer to being closed the ottoman is, the easier it is to move. When the ottoman is almost shut, it will close completely under its own weight.

MADRID WOODEN OTTOMAN BED 4FT 6IN ASSEMBLY INSTRUCTIONS



Periodically check to ensure that the components are in their proper position, free from damage. Also, make sure the end of connectors are tight and secure.

Keep instructions for future reference

