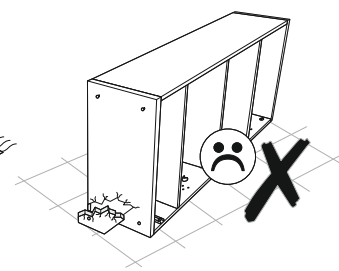
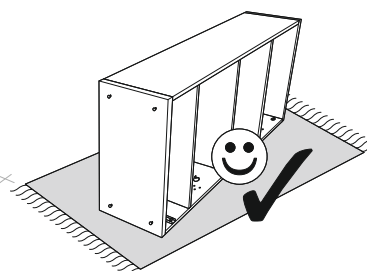
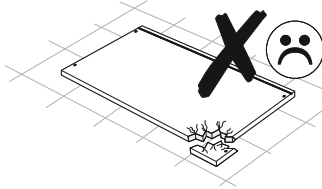
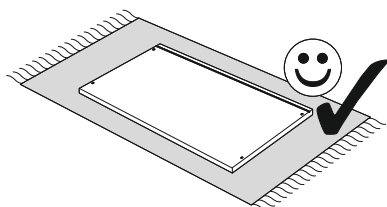
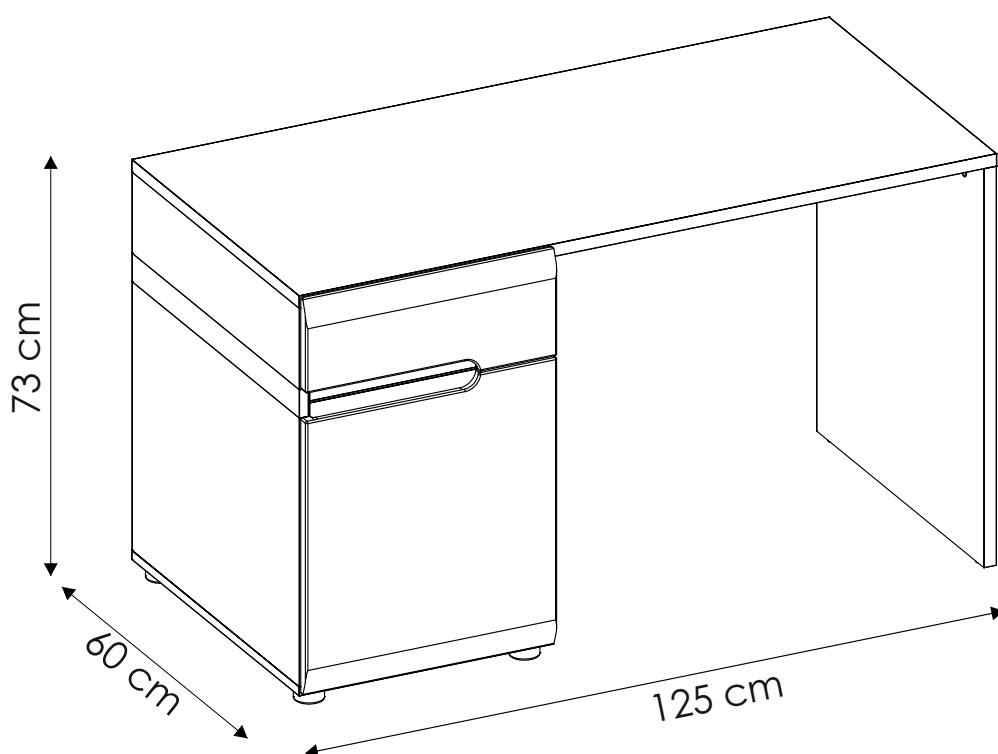
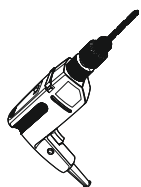
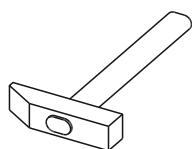
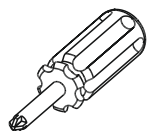
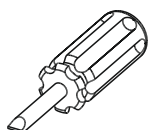
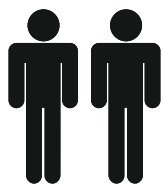
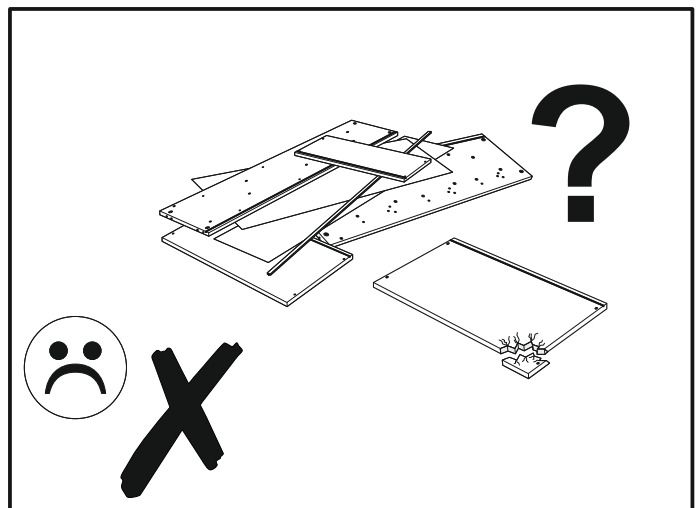
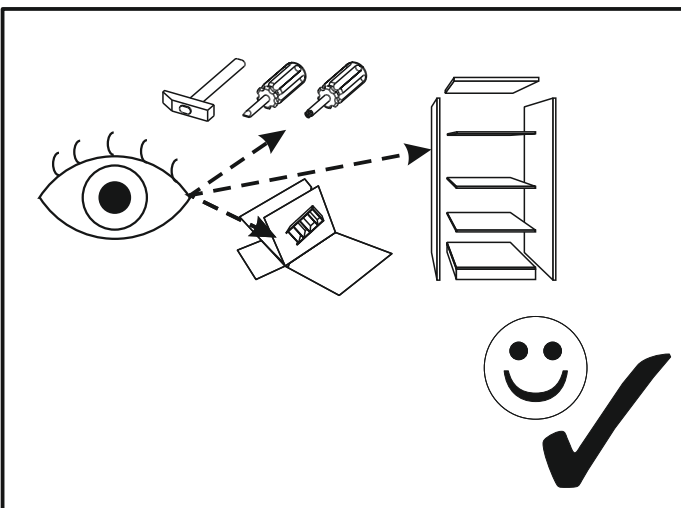
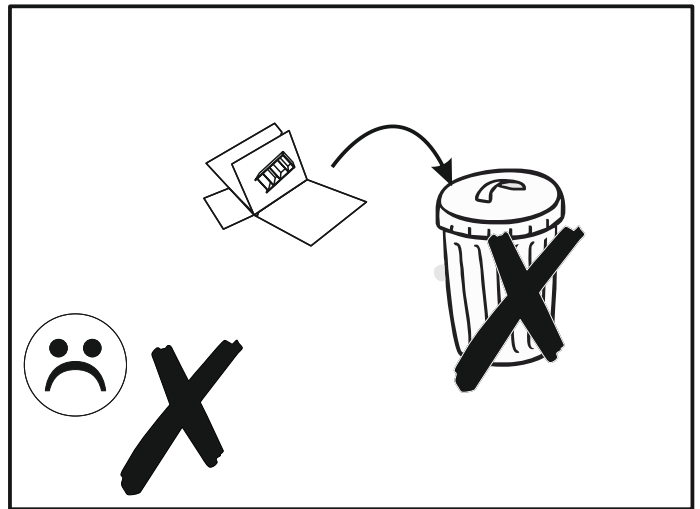
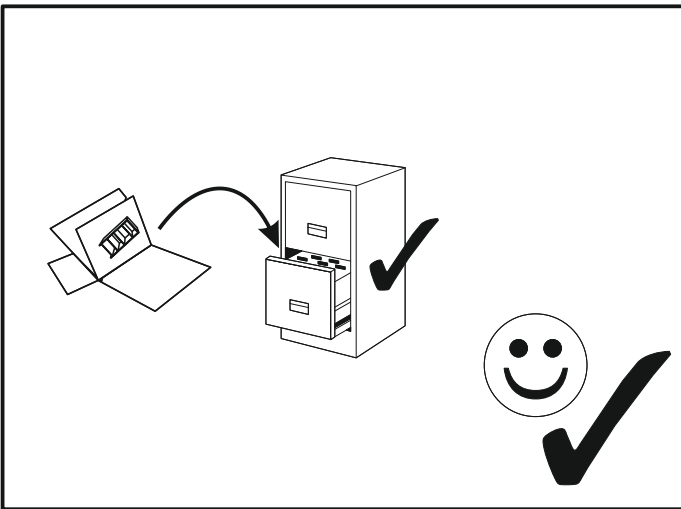
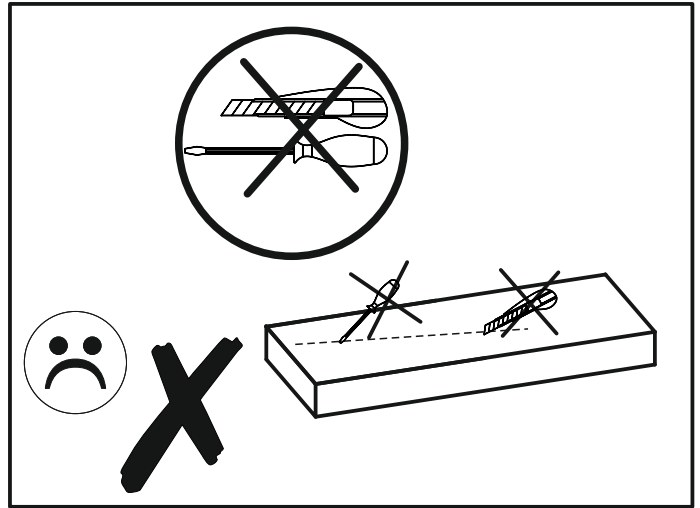
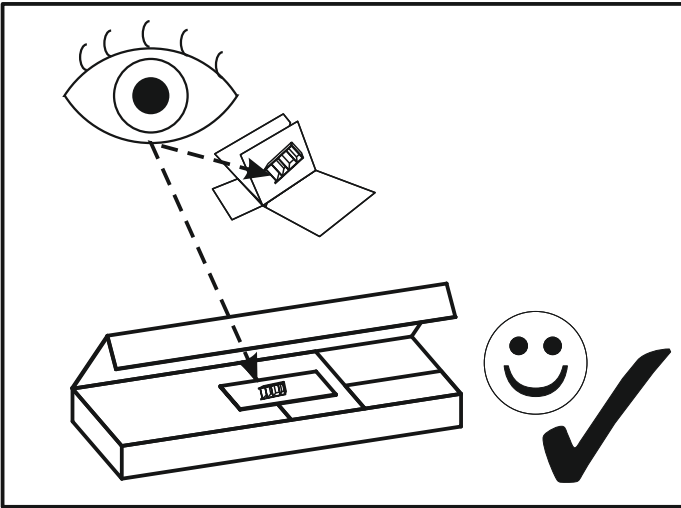
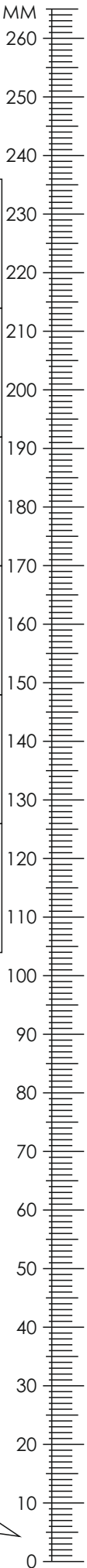



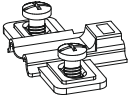
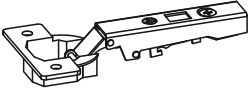


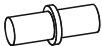






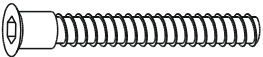


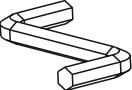

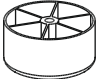

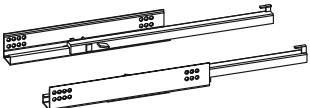
CHELSEA TYP 80

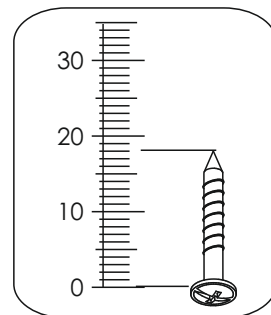




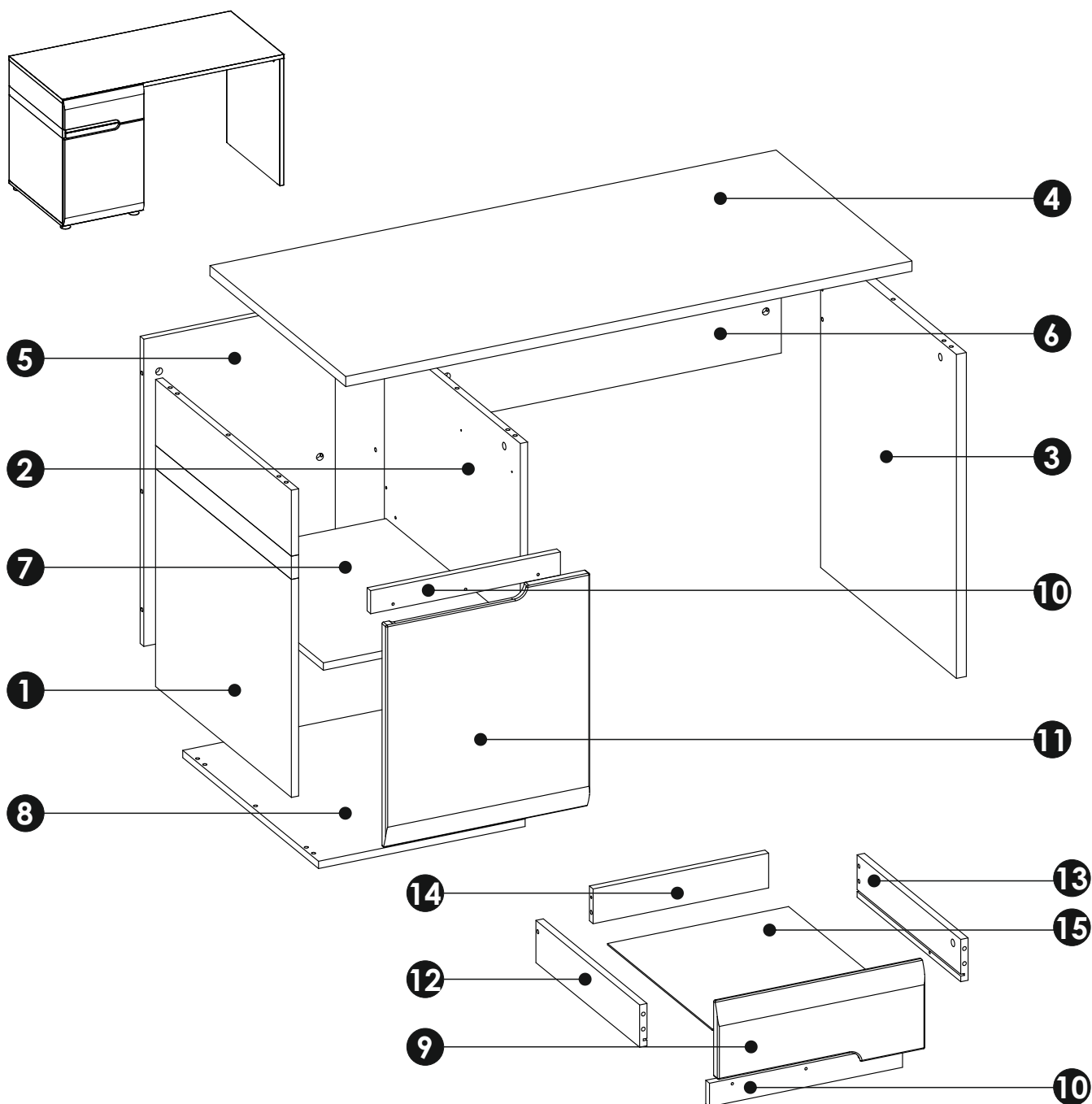
LINATE TYP 80



A1 x26 $\phi 8 \times 35$ mm 	BC10 x2 	BC11 x2 
C1 x4 4 x 13 mm 	C2 x4 5 x 13 mm 	D2 x4 
E0a x6 	E0b x12 	E1 x18 
F1 x18 	G0a x4 	G0b x2 
G1 x6 $\phi 7 \times 50$ mm 	I10 x4 3,5 x 22 mm 	J6 x6 4 x 30 mm 
M x1 	N1 x10 3 x 16 mm 	O15 x4 $\phi 50 \times 25$ mm 
O2 x2 	T12 x1 	

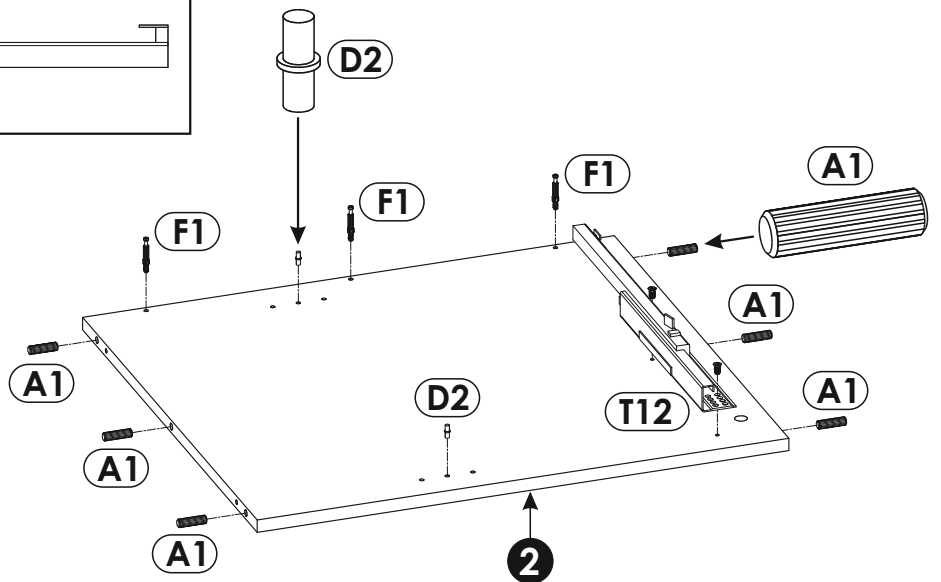
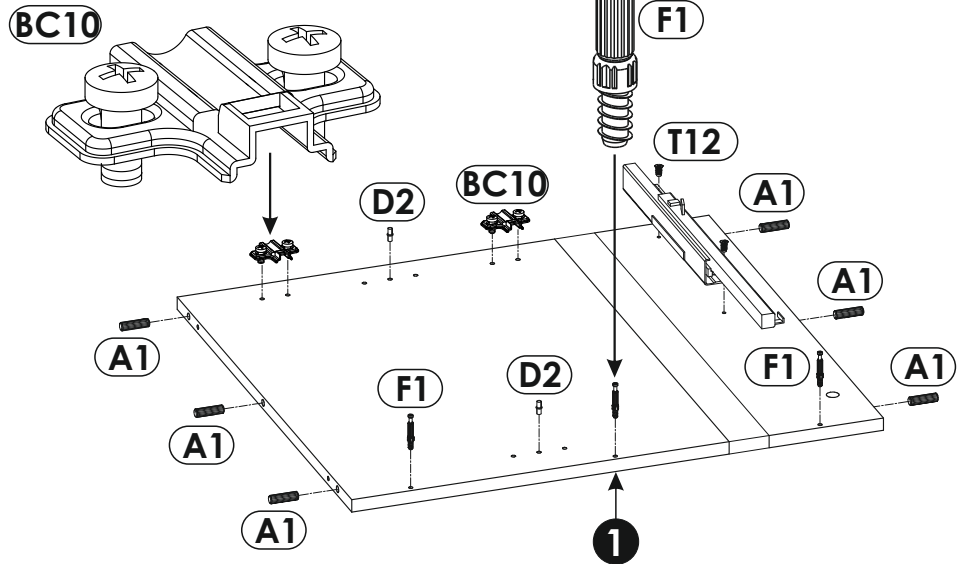
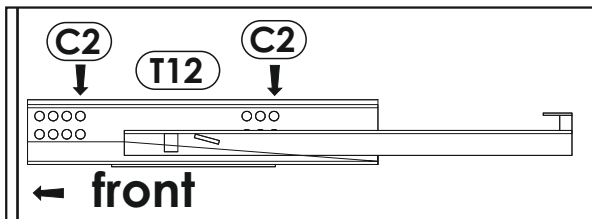
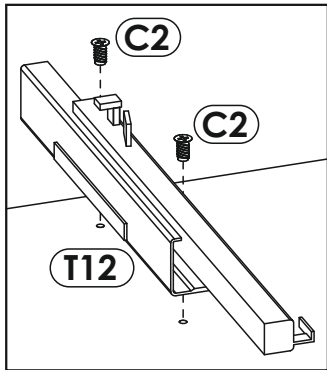
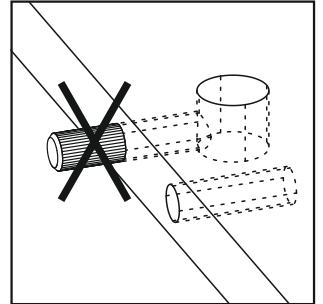
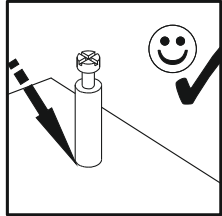
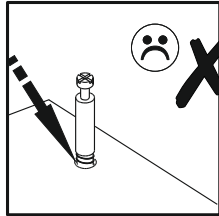
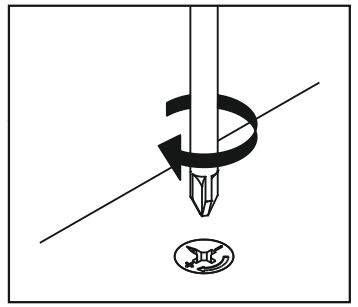
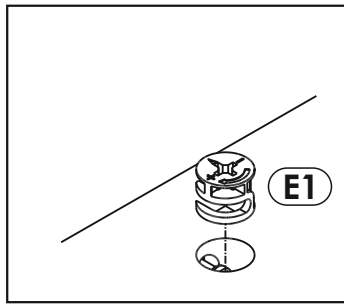
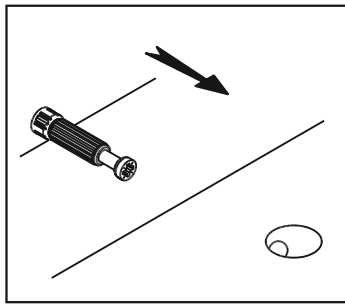
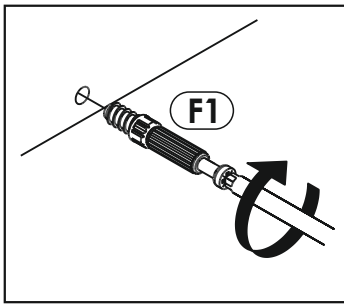


LINATE TYP 80

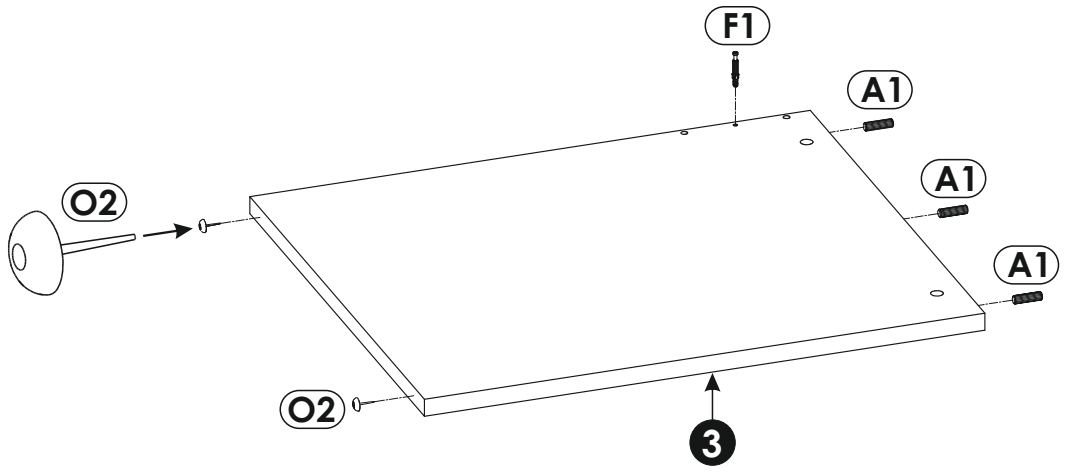


1	665	600	16	x1	1/1
2	665	600	16	x1	1/1
3	701	600	22	x1	1/1
4	1250	600	22	x1	1/1
5	423	665	16	x2	1/1
6	772	193	16	x3	1/1
7	423	569	16	x2	1/1
8	456	600	16	x1	1/1

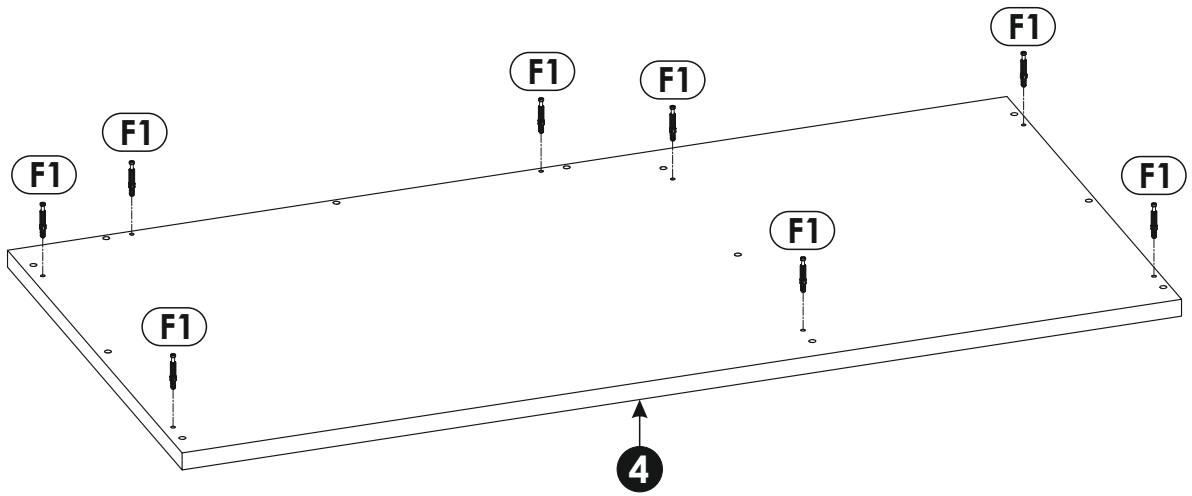
9	450	186	19	x1	1/1
10	419	50	16	x2	1/1
11	450	509	19	x1	1/1
12	450	90	16	x1	1/1
13	450	90	16	x1	1/1
14	381	74	16	x1	1/1
15	391	455	3	x1	1/1



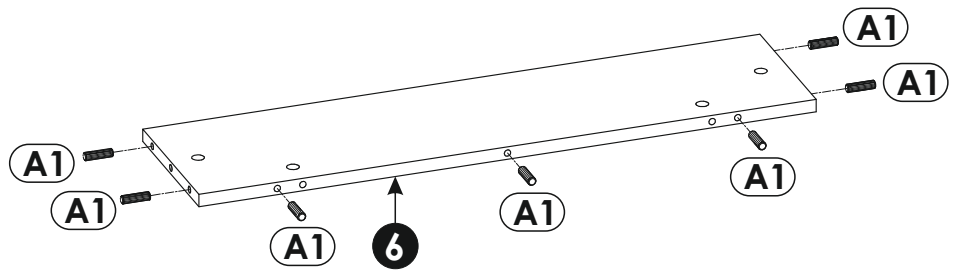
2▶



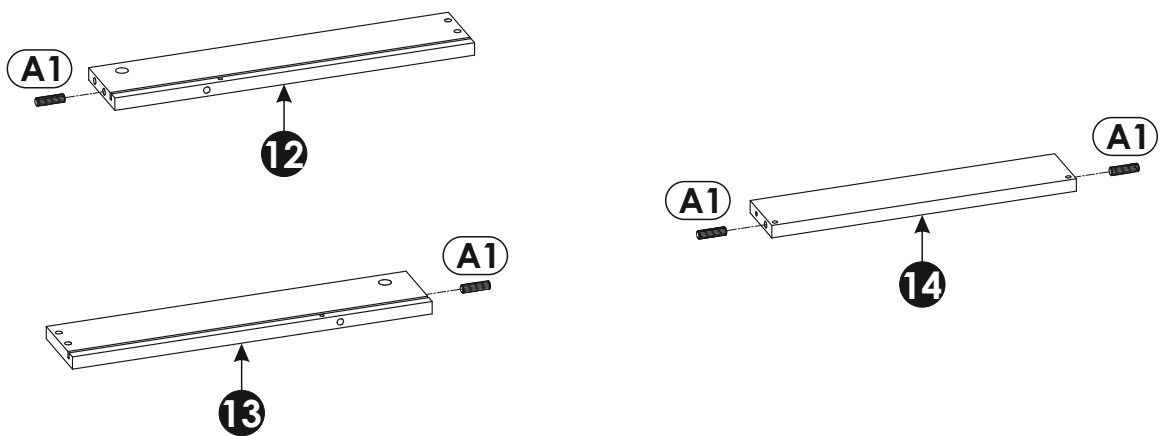
3▶



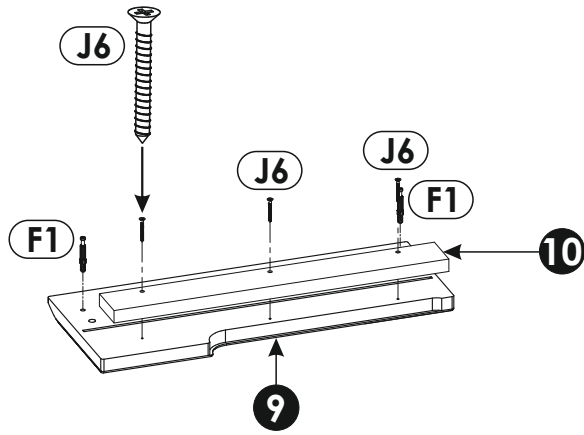
4▶



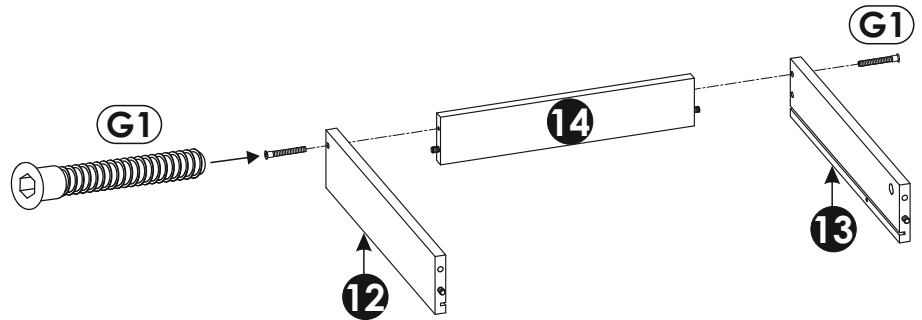
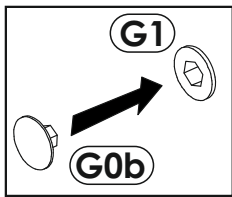
5▶



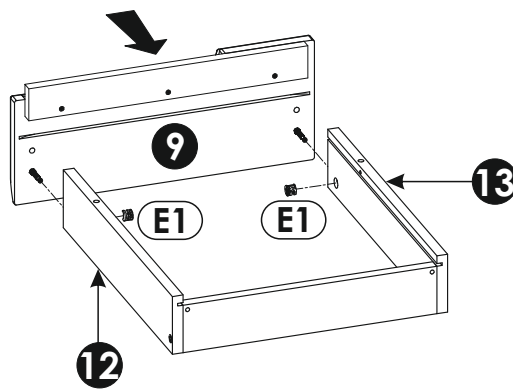
6 ▶



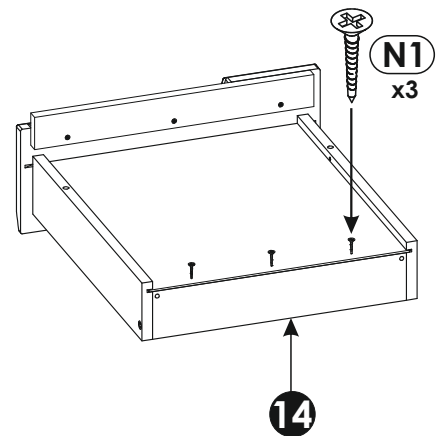
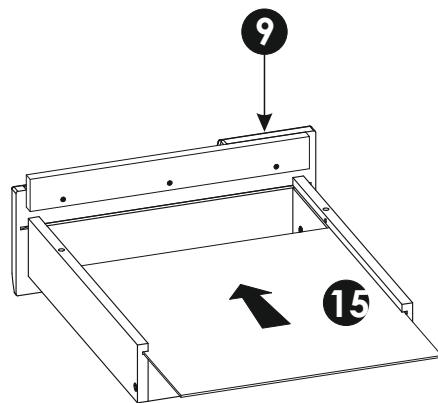
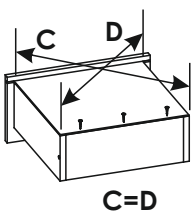
7 ▶



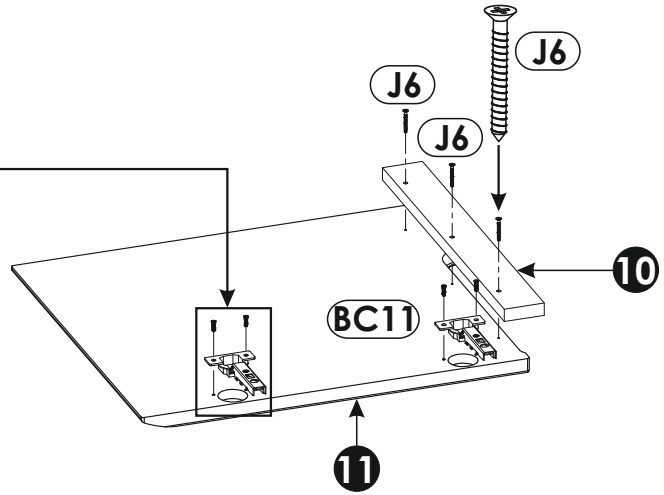
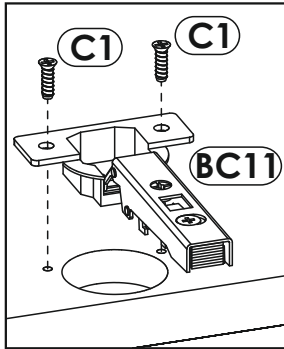
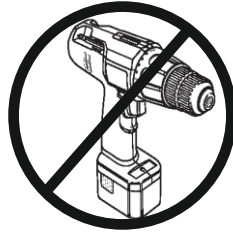
8 ▶



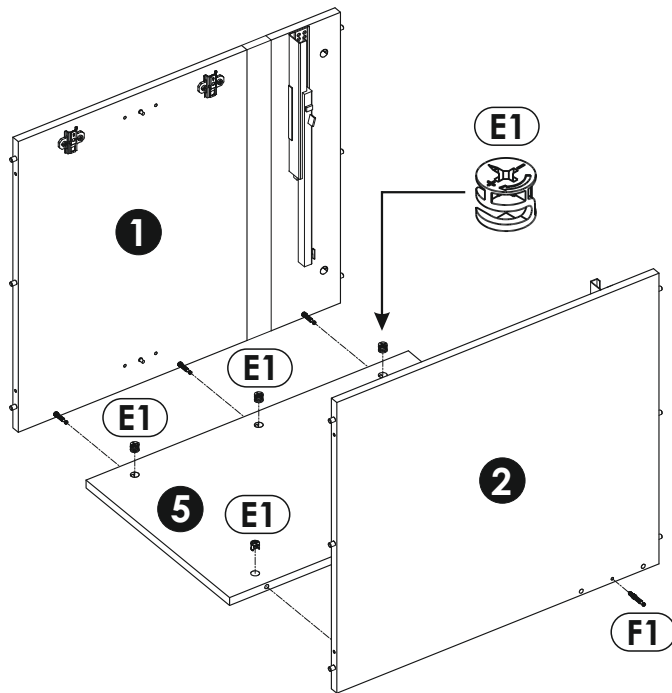
9 ▶



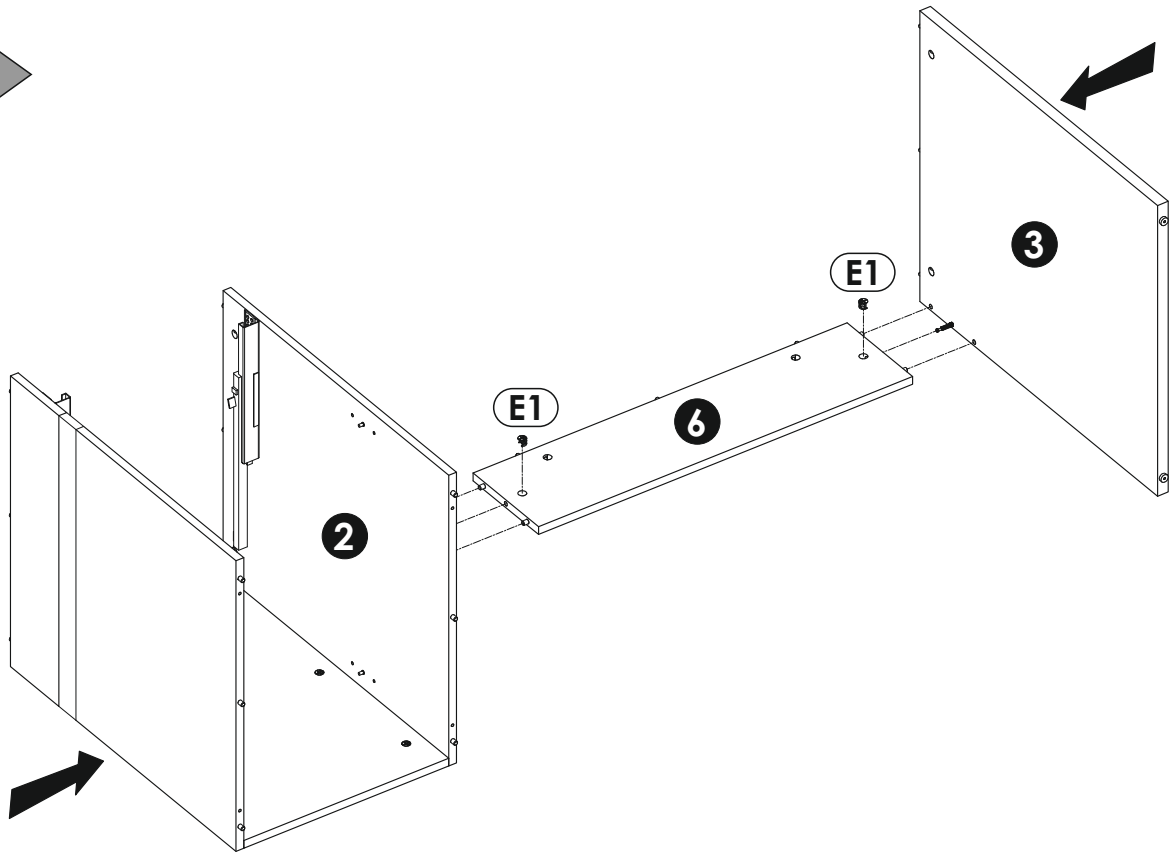
10 ▶



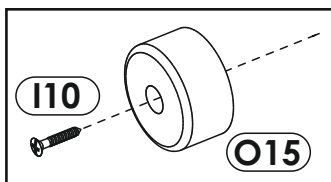
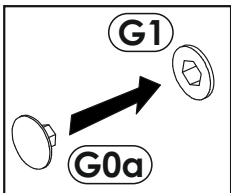
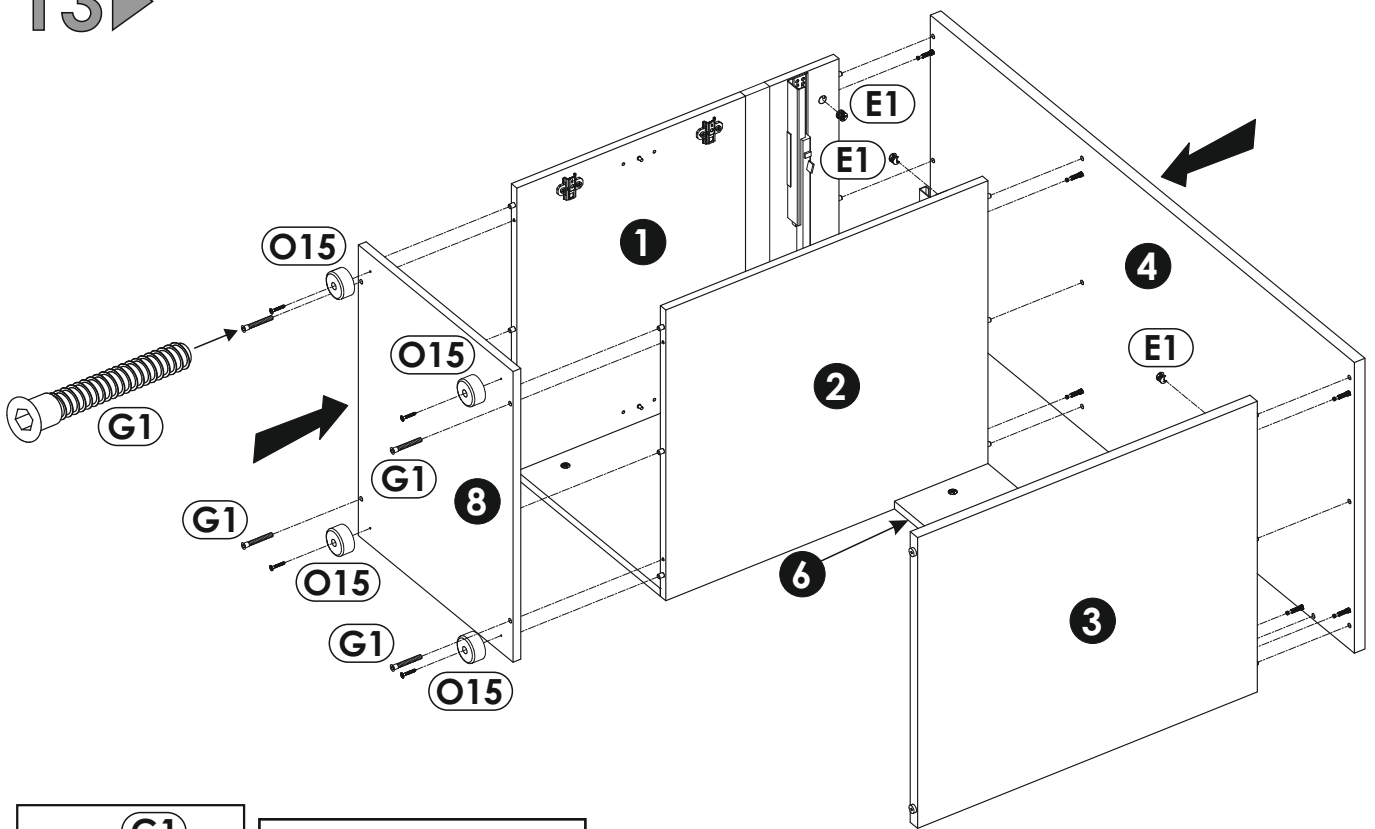
11 ▶



12 ▶



13 ▶



14 ▶

