

## ASSEMBLY INSTRUCTIONS

### WOBURN DRESSING TABLE

**IMPORTANT: READ THESE INSTRUCTIONS CAREFULLY BEFORE ASSEMBLING OR USING YOUR WOBURN DRESSING TABLE.**

PLEASE KEEP THESE INSTRUCTIONS FOR FUTURE REFERENCE.

#### **HEALTH & SAFETY:**

DO NOT use this dressing table if any parts are missing, damaged or worn.

DO NOT use this dressing table unless all fixings are secured.

Please keep small parts out of reach of children.

Always use on a level, even surface.

#### **CARE & MAINTENANCE:**

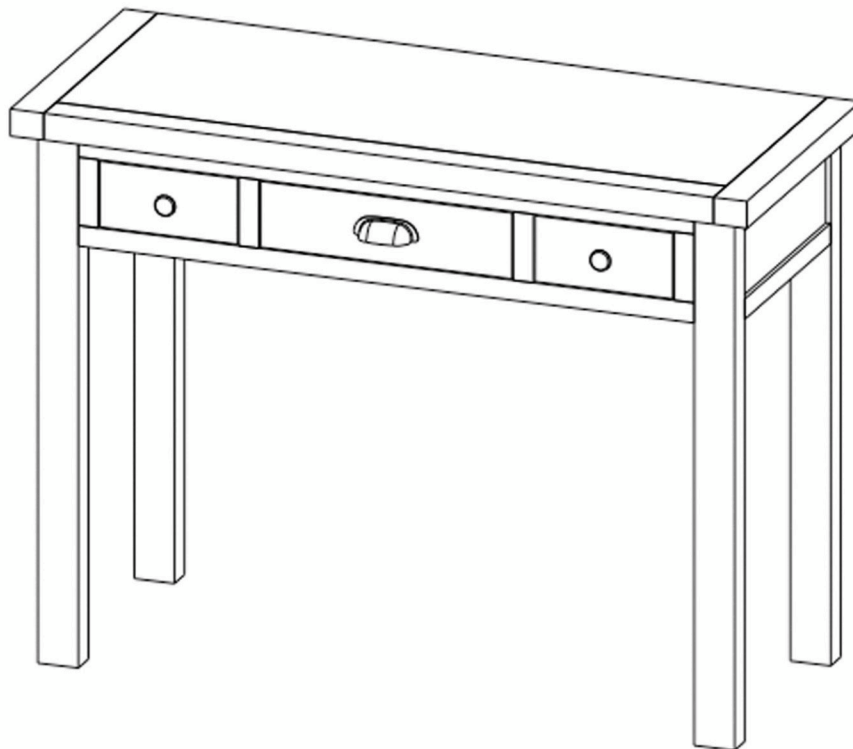
Assemble in the room of use.

Periodically check all screws & fixings to ensure they are secure.




DO NOT push the dressing table as this will damage the legs.

Always lift the dressing table with two people to reposition.

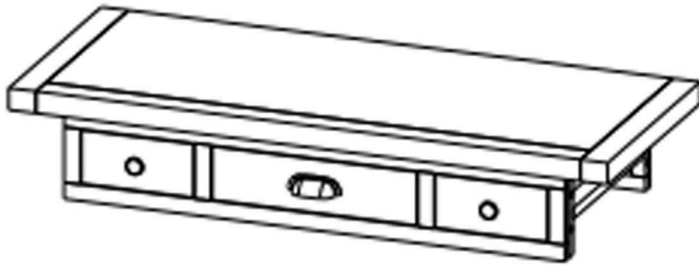
Keep any sharp objects away from the dressing table.



**HARDWARE LIST**

Code	Decription	Qty.	Box
A	 Bolt M8x50	8	1
B	 Washer	8	
C	 Allen key	1	

**PARTS LIST**



1 - Top with drawers

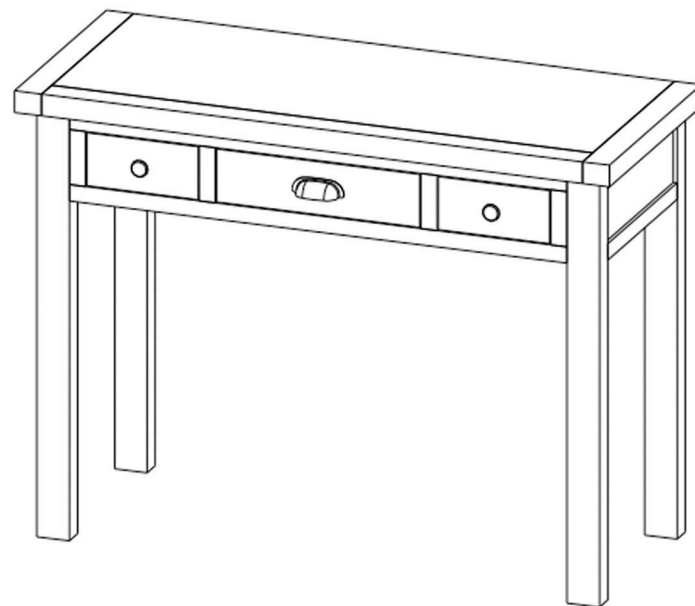
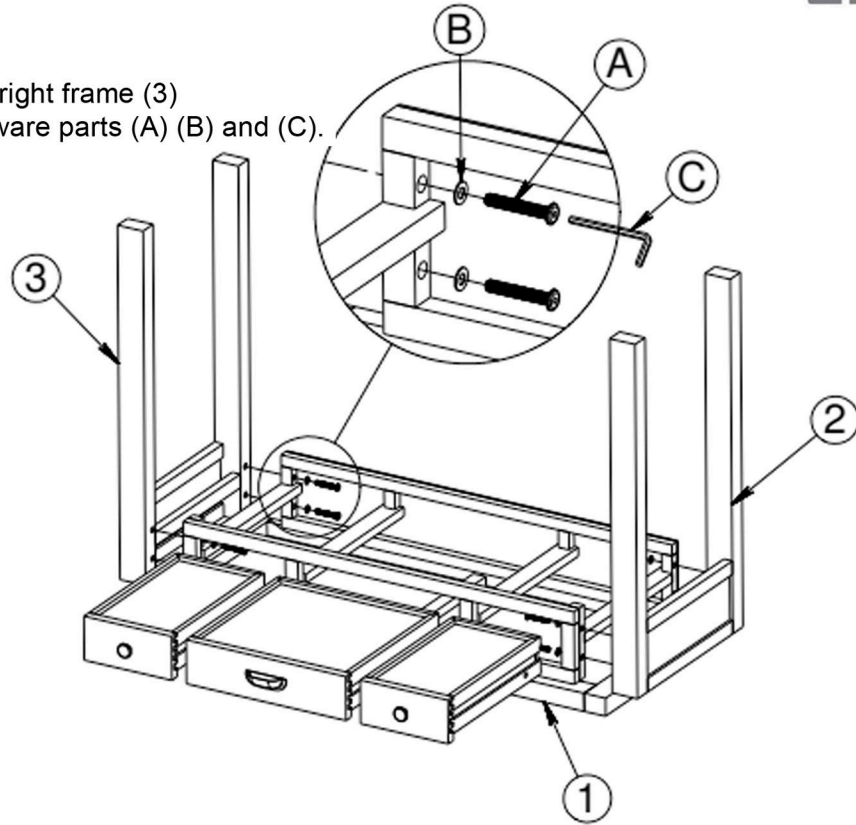


2 - Left Frame



3 - Right Frame

STEP 1: Attach left frame (2) and right frame (3) to top with drawers (1) using hardware parts (A) (B) and (C).



### Additional Information:

- For complete product information, images and dimension diagrams please visit the website [www.birlea.com](http://www.birlea.com)
- If you have any issues with your item please contact the retailer directly you purchased it from who will be able to resolve any issues with Birlea.
- Why don't you send us photos of your assembled furniture to [info@birlea.com](mailto:info@birlea.com) to be shared in our #birleahome feature on Instagram.