



## ASSEMBLY INSTRUCTIONS URBAN MERCHANT CHEST

**IMPORTANT : READ THESE INSTRUCTIONS CAREFULLY BEFORE ATTEMPTING TO ASSEMBLE OR USE YOUR URBAN MERCHANT CHEST.**

**PLEASE KEEP THESE INSTRUCTIONS FOR FUTURE REFERENCE.**

### **ASSEMBLY:**

Assembly should be carried out with this item laying flat, not standing upright.

Assemble on a soft, clean surface to prevent damages.

To erase the numbers printed on the pieces, use the rubber into the accessories pack.

### **HEALTH & SAFETY:**

DO NOT use this merchant chest if any parts are missing, damaged or worn.

DO NOT use this merchant chest unless all fixings are secured.

Always use on a level, even surface.

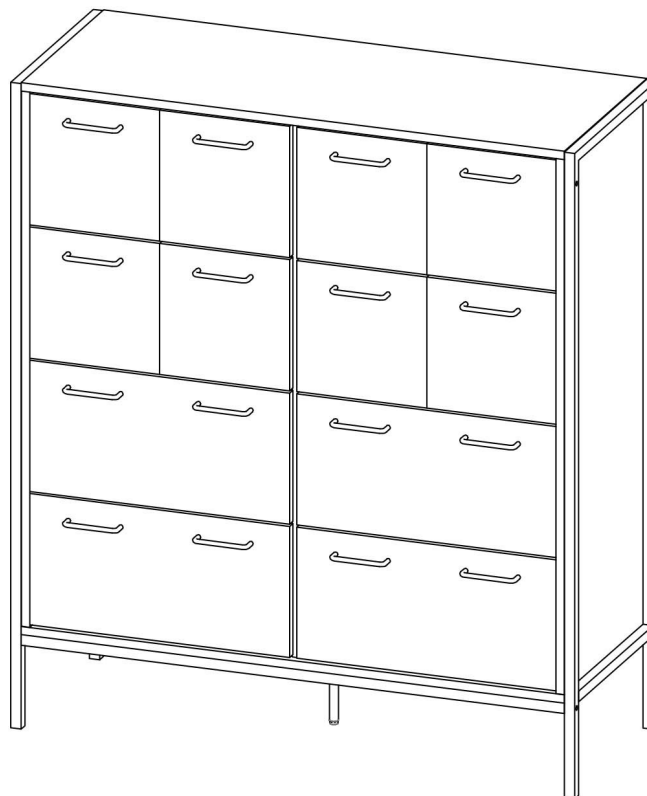
### **CARE & MAINTENANCE:**

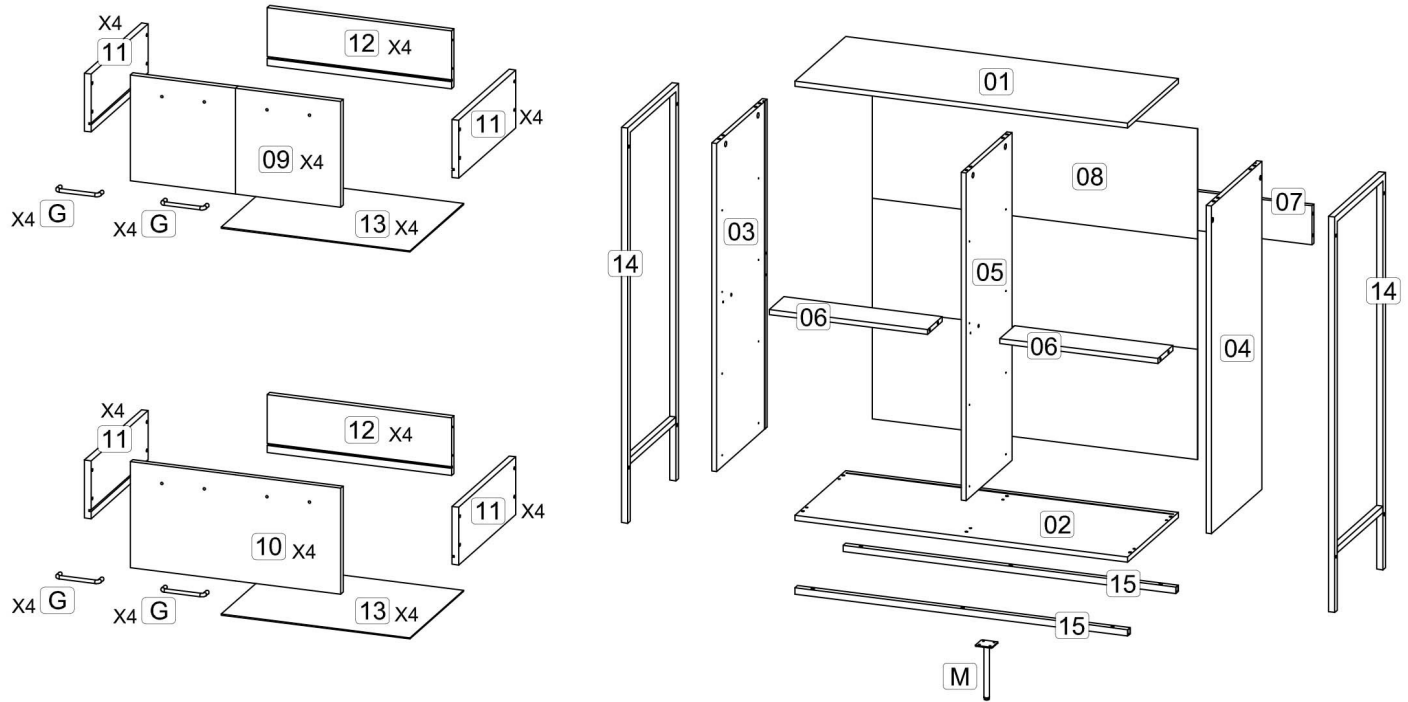
Periodically check all screws & fixings to ensure they are secure.





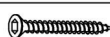
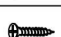


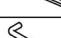
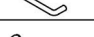
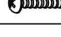








DO NOT push the merchant chest as this will cause damage.

Always lift the merchant chest with two people to repositions.

Keep any sharp objects away from the merchant chest.





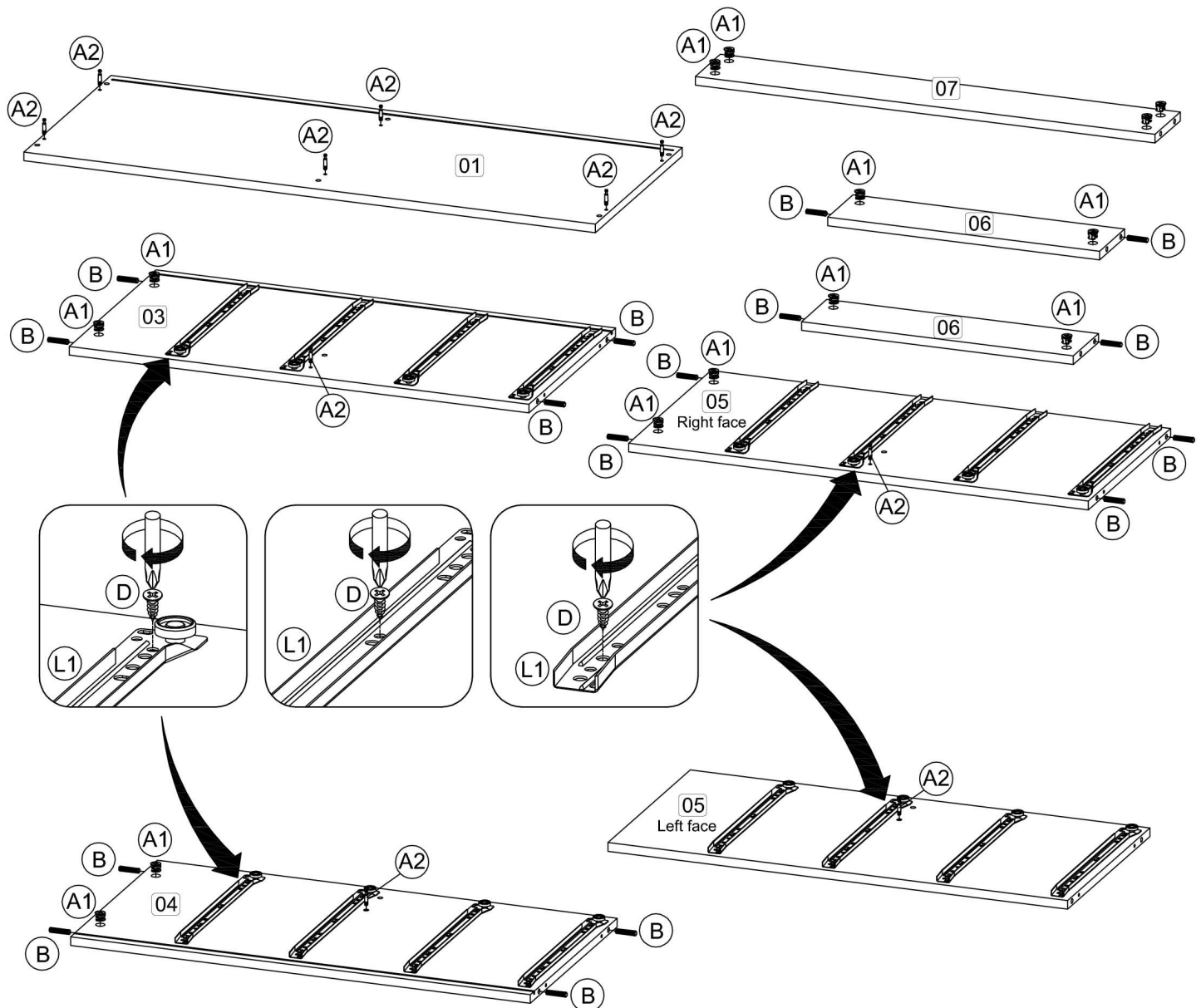
Parts List			Hardware List		
Part	Description	Qty	Part	Description	Qty
01	Top panel	1	A1	Cam lock 	14
02	Bottom panel	1	A2	Minifix screw 	14
03	Side panel ( Left )	1	A3	Plastic cap 	14
04	Side panel ( Right )	1	B	M8 x 30mm Wood Dowel 	16
05	Center panel	1	C	M6 x 50mm CSK Cap Wood screw 	6
06	Middle panel	2	D	M3.5 x 16mm C.B Screw 	102
07	Back bone	1	E	M4 x 38mm C.B Screw 	66
08	Back panel	1	F	Allen key M4 	1
09	Drawer front ( Up )	4	G	Handle 100.96. BLM 	16
10	Drawer front ( Down )	4	H	Handle screw M4 x 19mm 	32
11	Drawer side	16	I	JCBC screw M6 x 30mm 	10
12	Drawer back	8	J	JCBC screw M6 x 40mm 	4
13	Drawer bottom	8	K1	Stud 192 	8
14	Metal Side ( Left & Right )	2	K2	Stud 192 screw 	8
15	Metal middle	2	L1	14" Drawer slide (Left / Right) 	16
			L2	14" Drawer slide (Left / Right) 	16
			M	Metal leg 50 x 50 x H165mm (Center) 	1
			N	8" x 1" PP tape 	2
			O	Wall plug 	2

**\*\* You will need a small mallet and a screwdriver for assembly.**

**\*\* Some screws and wooden dowel may remain.**

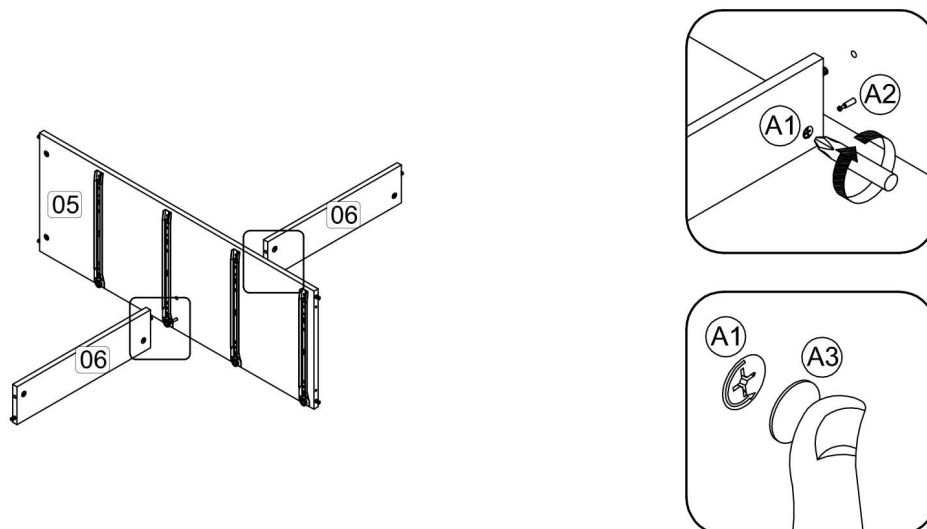
**Step 1:** Prepare these parts for assembly using hardware parts A1, A2, B, D and L1.

**DO NOT use any power tools as this may damage the frame and will invalidate any claim.**

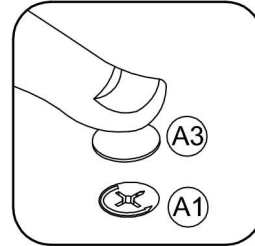
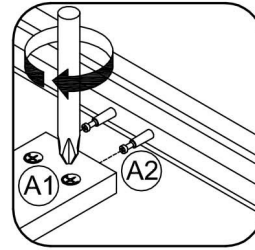
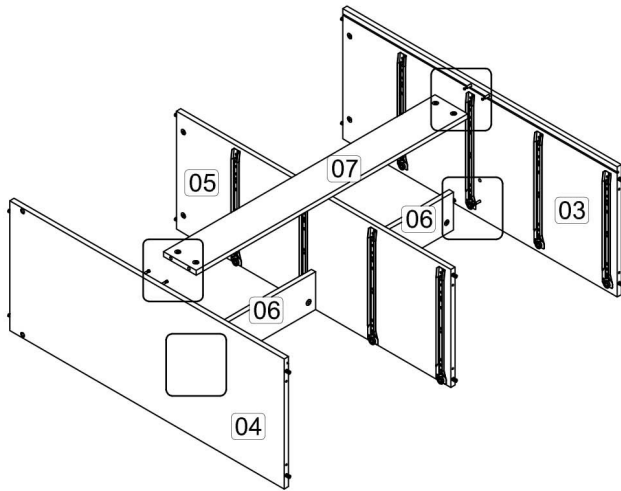


**Step 2:** Attach the panel (6) to panel (5) using hardware A1 and A3 with a screwdriver (not provided).

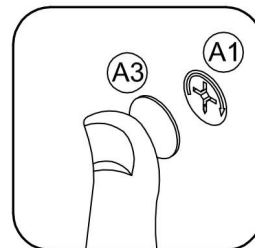
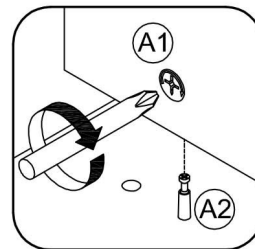
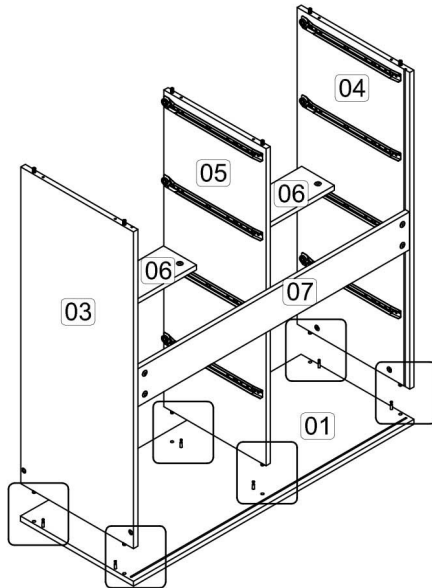
**DO NOT use any power tools as this may damage the frame and will invalidate any claim.**



**Step 3:** Attach the panel (6) and (7) to panel (3) and (4) using hardware A1 and A3 with a screwdriver (not provided).  
**DO NOT use any power tools as this may damage the frame and will invalidate any claim.**

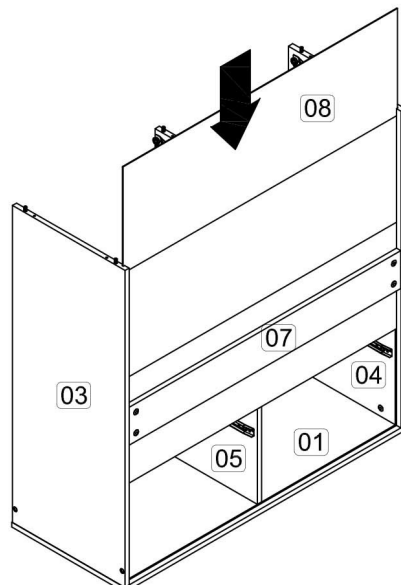


**Step 4:** Attach the panel (3), (4) and (5) to panel (1) using hardware A1 and A3 with a screwdriver (not provided).  
**DO NOT use any power tools as this may damage the frame and will invalidate any claim.**

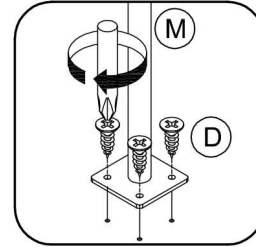
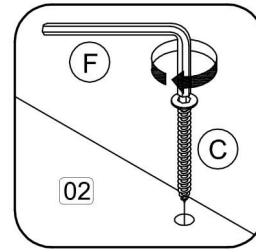
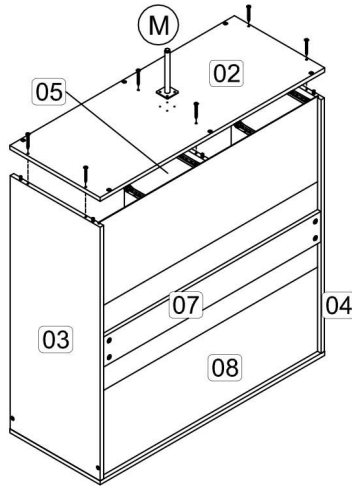


**Step 5:** Insert the panel (8) along the slot.

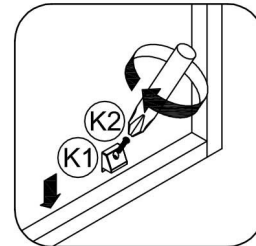
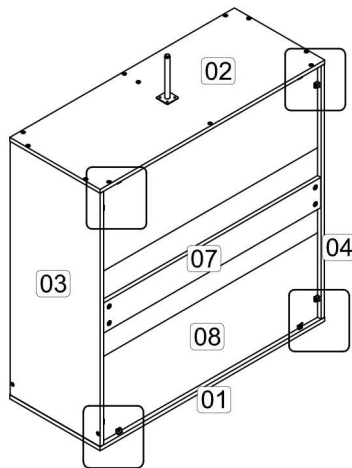
**DO NOT use any power tools as this may damage the frame and will invalidate any claim.**



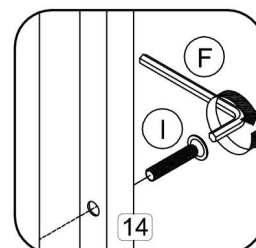
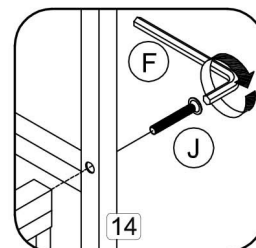
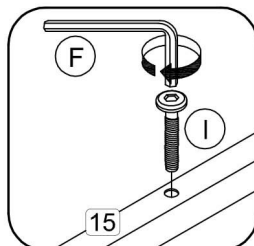
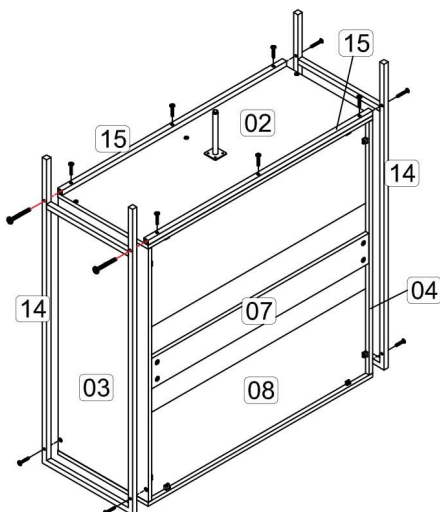
**Step 6:** Attach the panel (2) to panel (3), (4) and (6) using hardware C and F.  
 Assemble hardware M onto panel (2) using hardware D with a screwdriver (not provided).  
**DO NOT use any power tools as this may damage the frame and will invalidate any claim.**



**Step 7:** Attach hardware K1 into panel (1), (2), (3) and (4) using hardware K2 with a screwdriver (not provided).  
**DO NOT use any power tools as this may damage the frame and will invalidate any claim.**



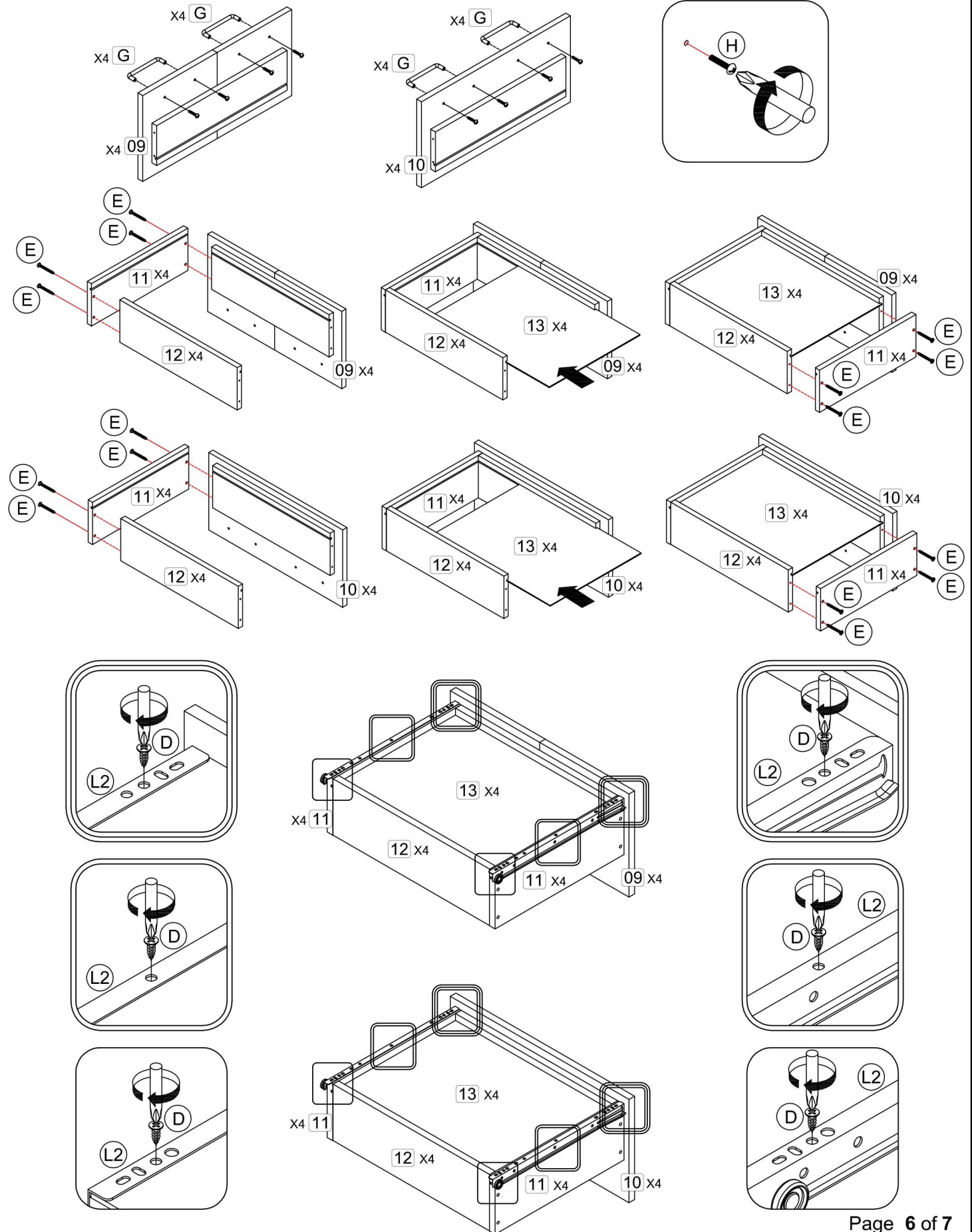
**Step 8:** Attach the Metal Middle (15) to panel (2) using hardware I and F.  
 Attach the Metal Side (14) to panel (3) and (4) using hardware I and F.  
 Attach the Metal Side (14) to Metal Middle (15) using hardware J and F.  
**DO NOT use any power tools as this may damage the frame and will invalidate any claim.**



**Step 9:** Assemble the drawer components using hardware D, E, G, H and L2.

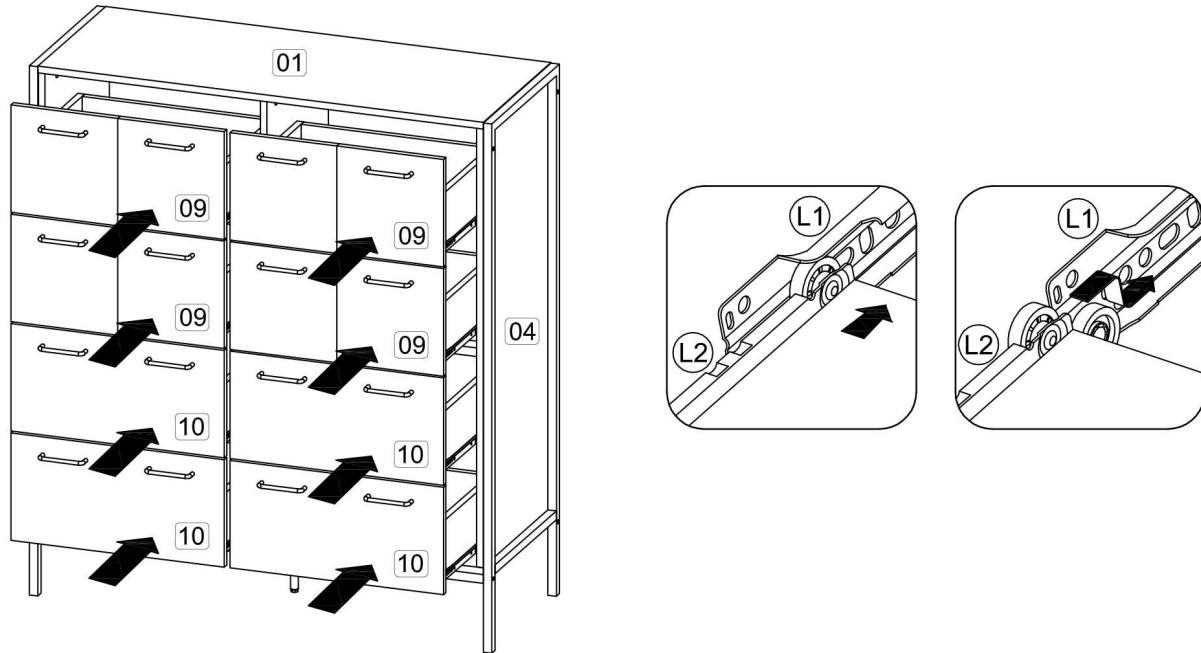
In this step only show one of the drawers.

**DO NOT** use any power tools as this may damage the frame and will invalidate any claim.



**Step 10:** Assemble the drawers in place along the drawer slides.

**DO NOT use any power tools as this may damage the frame and will invalidate any claim.**

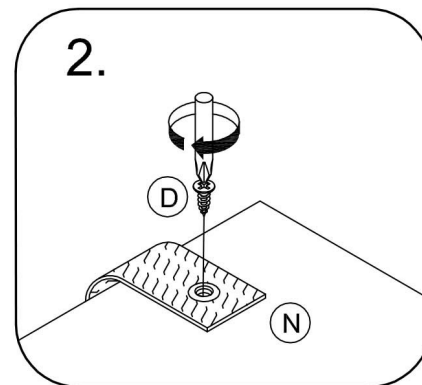
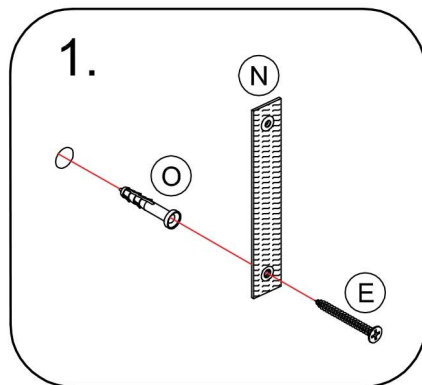


**Step 11:** To secure the item to the wall use hardware E, N and O using a screwdriver (not provided).

Then attach hardware part N to the panel (1) using hardware D with a screwdriver (not provided).

**DO NOT use any power tools as this may damage the frame and will invalidate any claim.**

**Birlea Furniture advise you use the wall straps provided to further enhance the safety of this product.**



### Additional Information:

- For complete product information, images and dimension diagrams please visit the website [www.birlea.com](http://www.birlea.com)
- If you have any issues with your item please contact the retailer directly you purchased it from who will be able to resolve any issues with Birlea.
- Why don't you send us photos of your assembled furniture to [info@birlea.com](mailto:info@birlea.com) to be shared in our #birleahome feature on instagram.