



# Birlea

Suppliers of inspiration

Vendor: S000350



## **ASSEMBLY INSTRUCTIONS** **URBAN 4 DRAWER CHEST**

**IMPORTANT : READ THESE INSTRUCTIONS CAREFULLY BEFORE ATTEMPTING TO ASSEMBLE OR USE YOUR URBAN 4 DRAWER CHEST.**

**PLEASE KEEP THESE INSTRUCTIONS FOR FUTURE REFERENCE.**

### **ASSEMBLY:**

Assembly should be carried out with this item laying flat, not standing upright.

Assemble on a soft, clean surface to prevent damages.

To erase the numbers printed on the pieces, use the rubber into the accessories pack.

### **HEALTH & SAFETY:**

DO NOT use this chest of drawers if any parts are missing, damaged or worn.

DO NOT use this chest of drawers unless all fixings are secured.

Always use on a level, even surface.

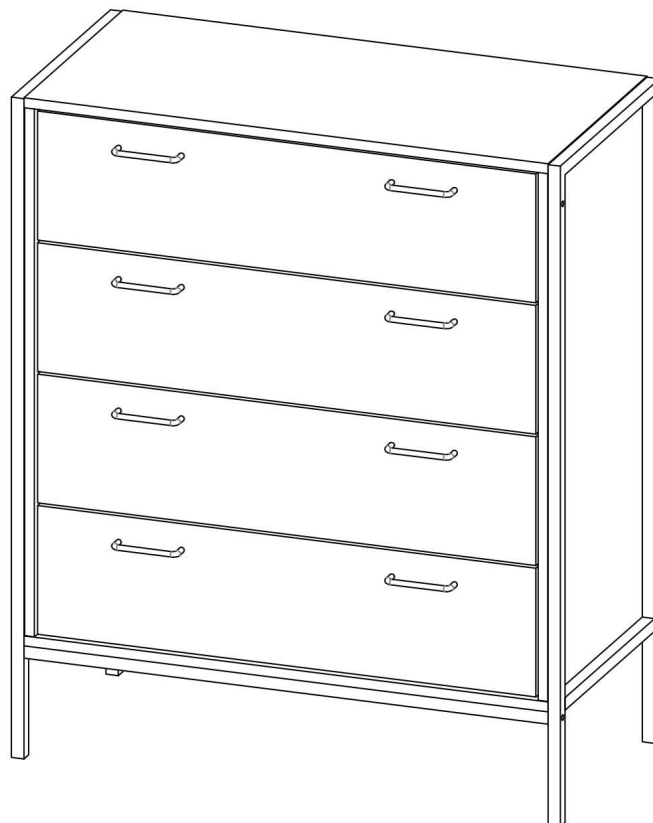
### **CARE & MAINTENANCE:**

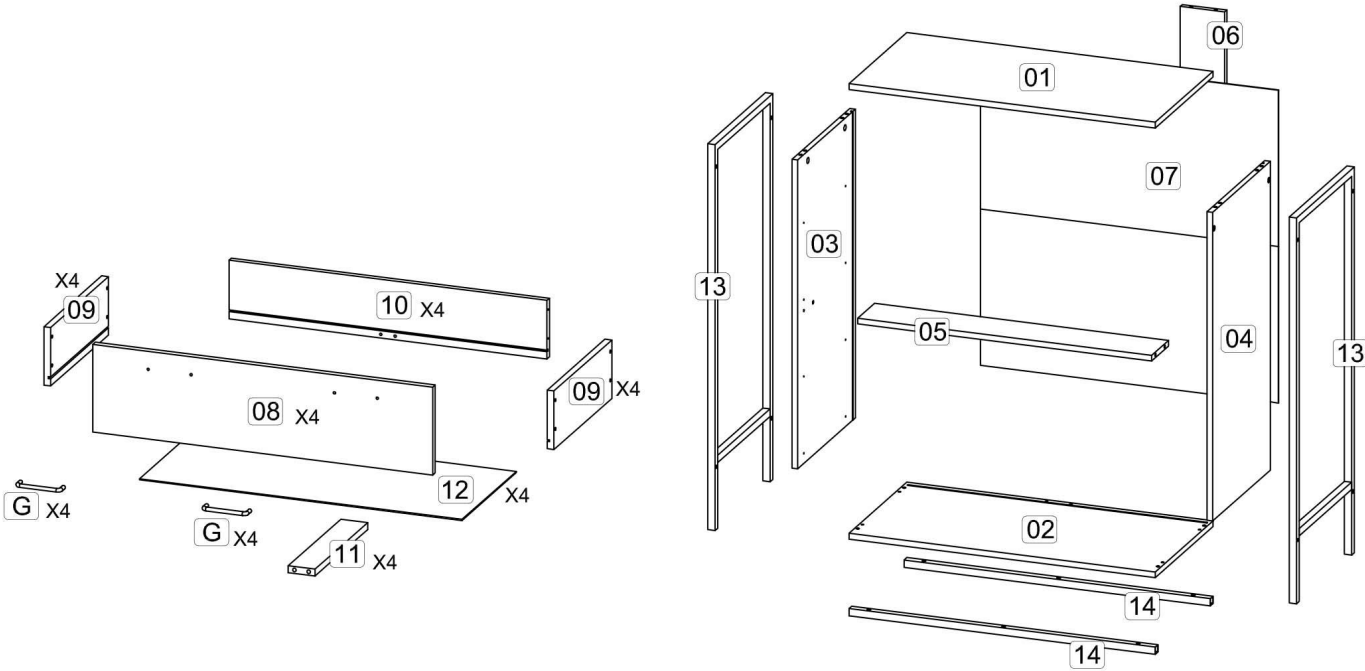
Periodically check all screws & fixings to ensure they are secure.

DO NOT push the chest of drawers as this will cause damage.

Always lift the chest of drawers with two people to repositions.

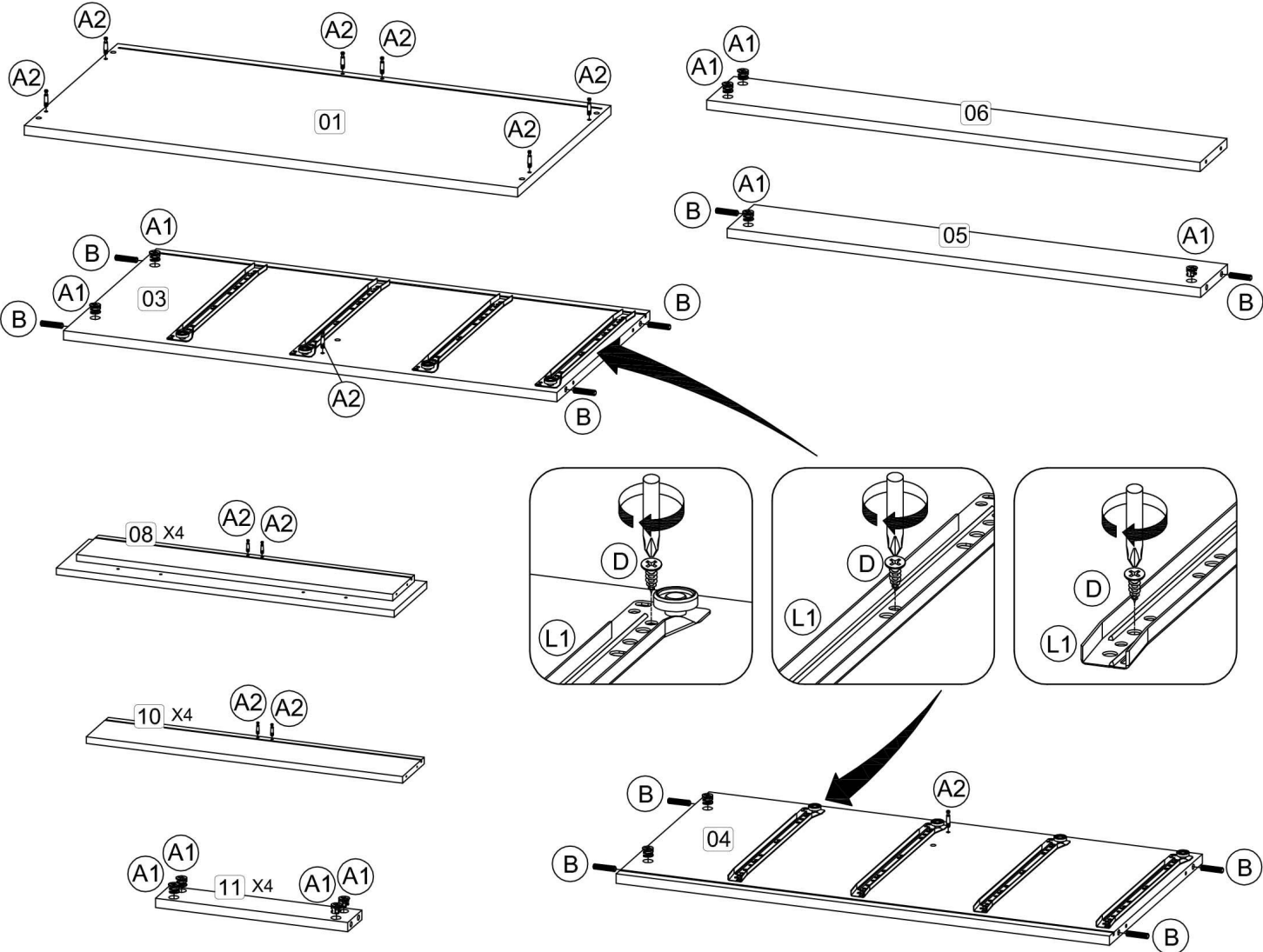
Keep any sharp objects away from the chest of drawers.



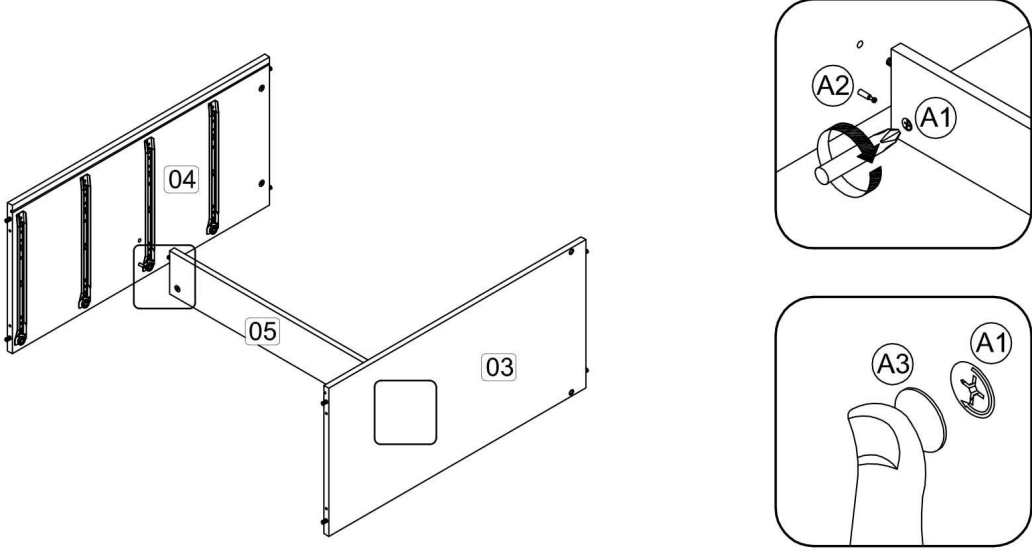


Parts List			Hardware List		
Part	Description	Qty	Part	Description	Qty
01	Top panel	1	A1	Cam lock 	24
02	Bottom panel	1	A2	Minifix screw 	24
03	Side panel ( Left )	1	A3	Plastic cap 	24
04	Side panel ( Right )	1	B	M8 x 30mm Wood Dowel 	10
05	Middle panel	1	C	M6 x 50mm CSK Cap Wood screw 	6
06	Back bone	1	D	M3.5 x 16mm C.B Screw 	50
07	Back panel	1	E	M4 x 38mm C.B Screw 	34
08	Drawer front	4	F	Allen key M4 	1
09	Drawer side	8	G	Handle 100.96. BLM 	8
10	Drawer back	4	H	Handle screw M4 x 19mm 	16
11	Drawer bone	4	I	JCBC screw M6 x 30mm 	10
12	Drawer bottom	4	J	JCBC screw M6 x 40mm 	4
13	Metal Side ( Left & Right )	2	K1	Stud 192 	8
14	Metal middle	2	K2	Stud 192 screw 	8
<b>** You will need a small mallet and a screwdriver for assembly.                      ** Some screws and wooden dowel may remain.</b>			L1	14" Drawer slide (Left / Right) 	8
			L2	14" Drawer slide (Left / Right) 	8
			M	8" x 1" PP tape 	2
			N	Wall plug 	2

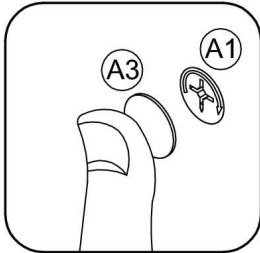
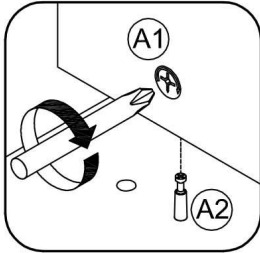
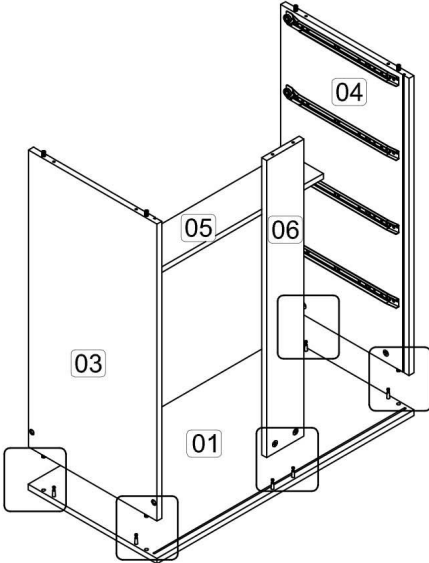
**Step 1:** Prepare these parts for assembly using hardware parts A1, A2, B, D and L1.  
**DO NOT use any power tools as this may damage the frame and will invalidate any claim.**



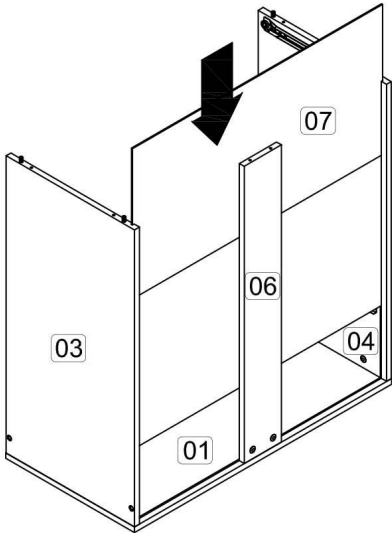
**Step 2:** Attach the panel (5) to panel (3) and (4) using hardware A1 and A3 with a screwdriver (not provided).  
**DO NOT use any power tools as this may damage the frame and will invalidate any claim.**



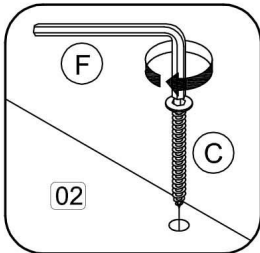
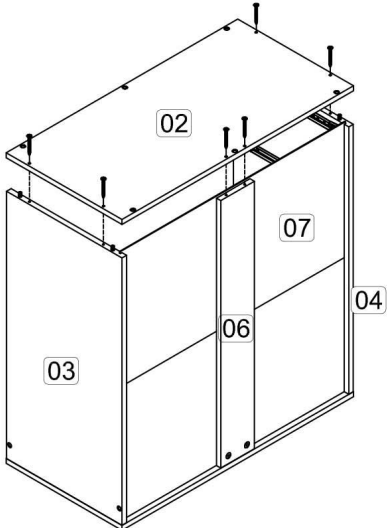
**Step 3:** Attach the panel (3), (4) and (6) to panel (1) using hardware A1 and A3 with a screwdriver (not provided).  
**DO NOT use any power tools as this may damage the frame and will invalidate any claim.**



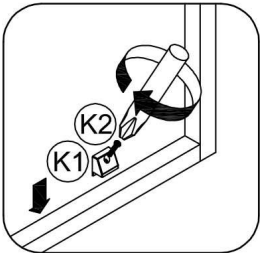
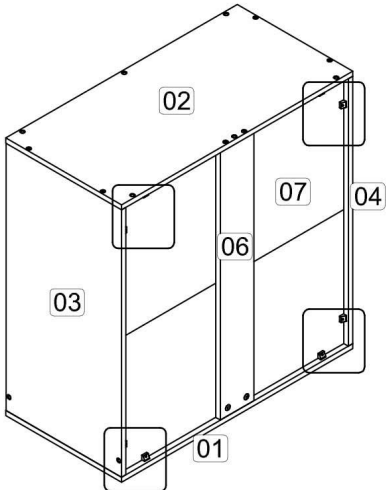
**Step 4:** Insert the panel (7) along the slot.  
**DO NOT use any power tools as this may damage the frame and will invalidate any claim.**



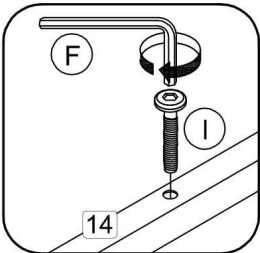
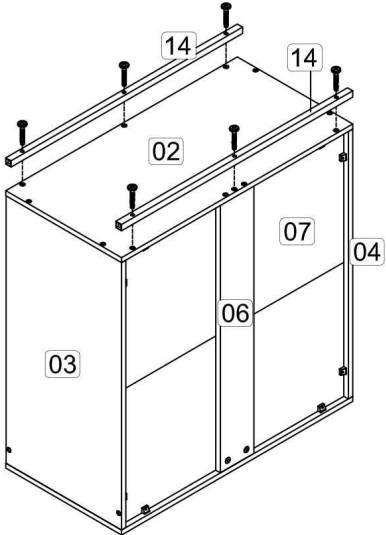
**Step 5:** Attach the panel (2) to panel (3), (4) and (6) using hardware C and F.  
**DO NOT use any power tools as this may damage the frame and will invalidate any claim.**



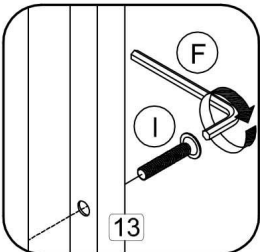
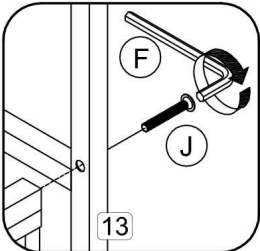
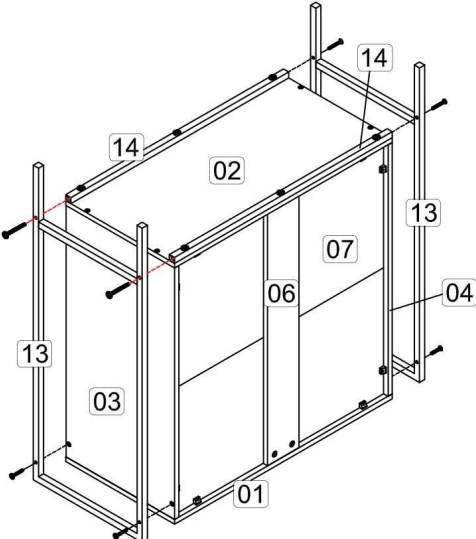
**Step 6:** Attach hardware K1 into panel (1), (2), (3) and (4) using hardware K2 with a screwdriver (not provided).  
**DO NOT use any power tools as this may damage the frame and will invalidate any claim.**



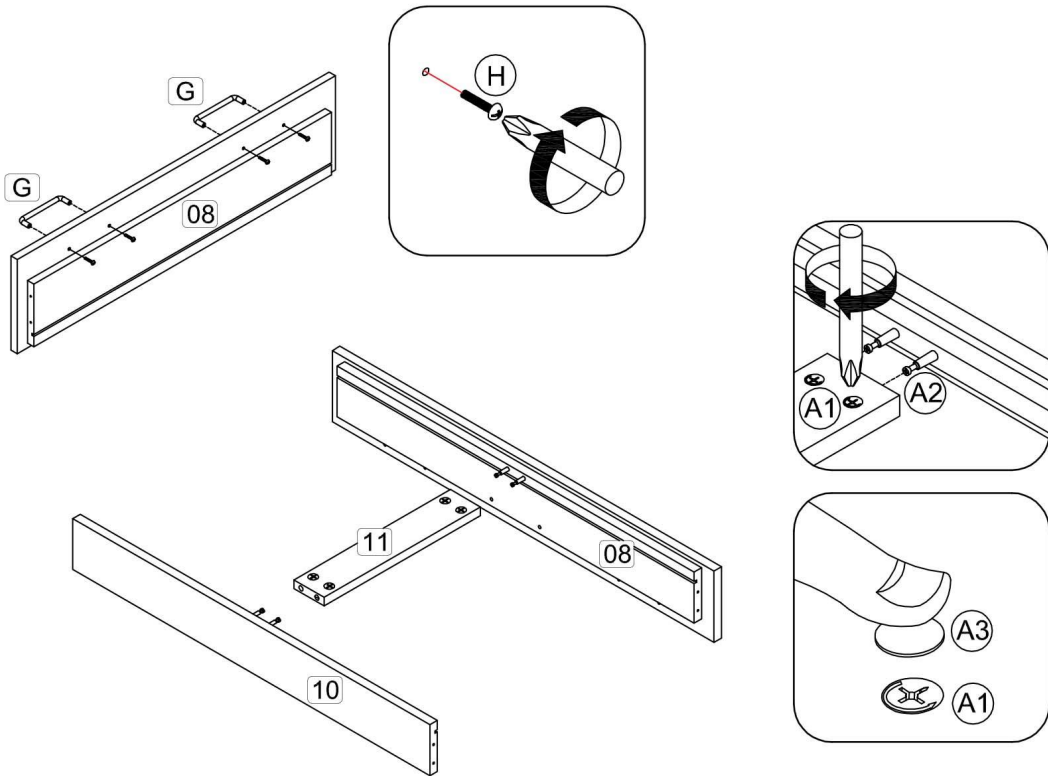
**Step 7:** Attach the Metal Middle (14) to panel (2) using hardware I and F.  
**DO NOT use any power tools as this may damage the frame and will invalidate any claim.**



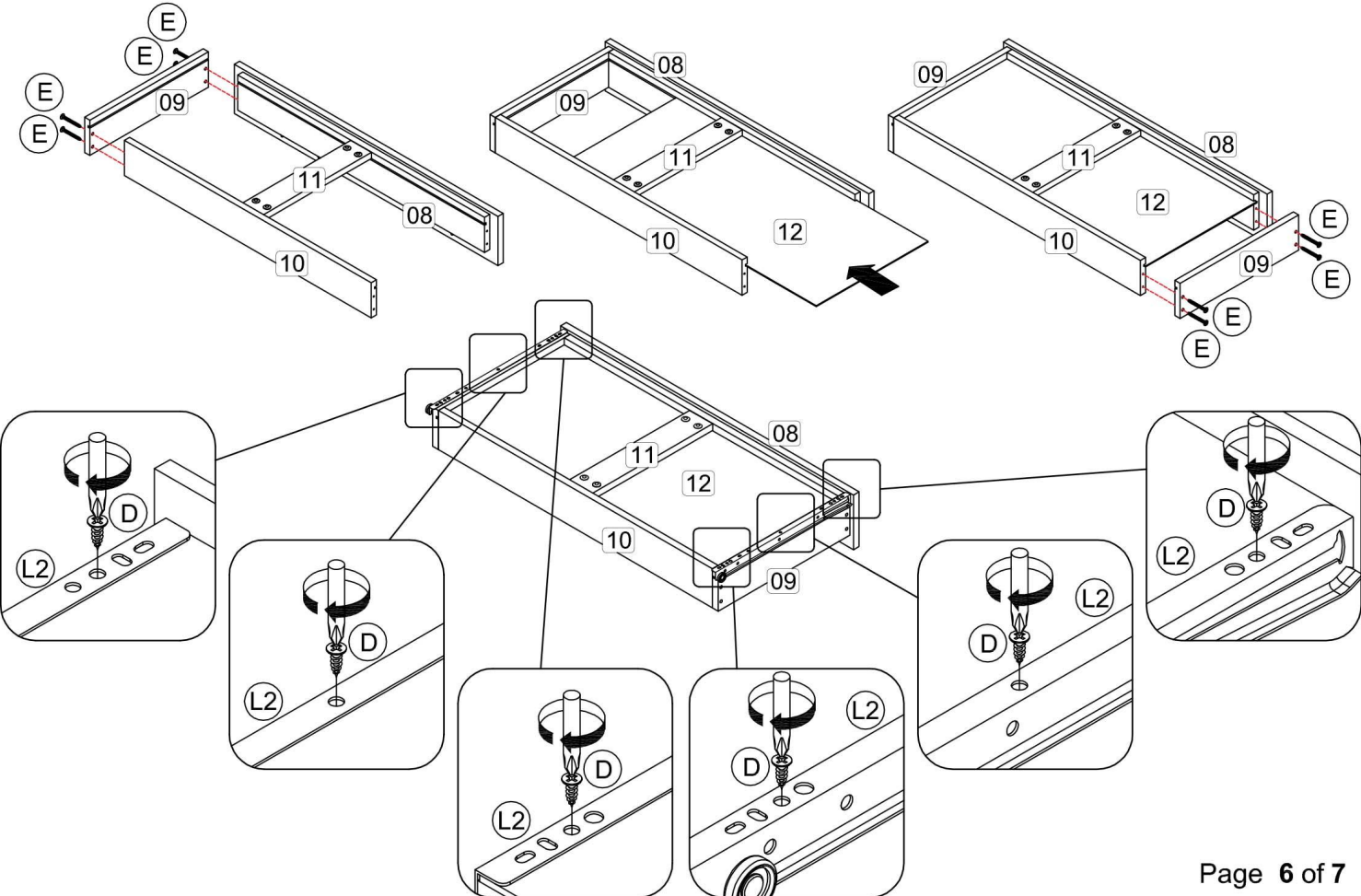
**Step 8:** Attach the Metal Side (13) to panel (3) and (4) using hardware I and F.  
Attach the Metal Side (13) to Metal Middle (14) using hardware J and F.  
**DO NOT use any power tools as this may damage the frame and will invalidate any claim.**



**Step 9:** Fix hardware G onto panel (8) using hardware H with a screwdriver (not provided).  
Attach the panel (11) to panel (8) and (10) using hardware A1 and A3 with a screwdriver (not provided).  
In this step only show one of the drawers.  
**DO NOT use any power tools as this may damage the frame and will invalidate any claim.**



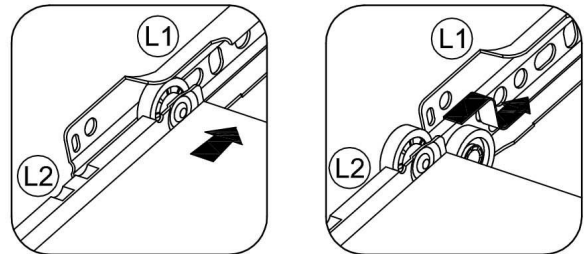
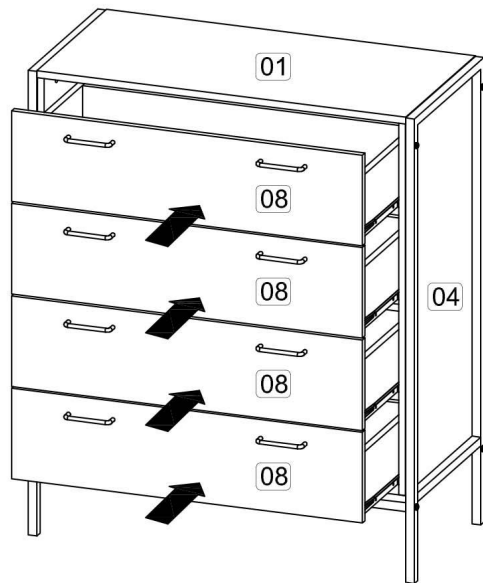
**Step 10:** Assemble the drawer components using hardware D, E and L2.  
In this step only show one of the drawers.  
**DO NOT use any power tools as this may damage the frame and will invalidate any claim.**





**Step 11:** Assemble the drawers in place along the drawer slides.

**DO NOT use any power tools as this may damage the frame and will invalidate any claim.**

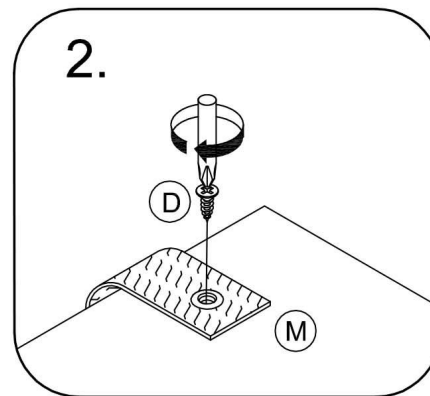
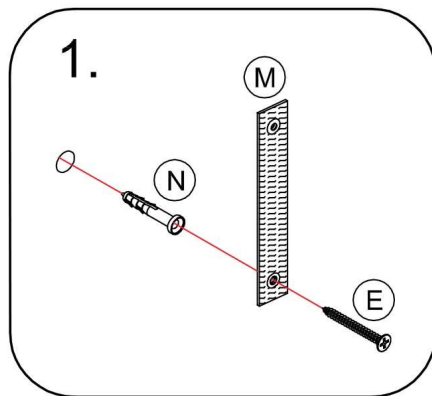


**Step 12:** To secure the item to the wall use hardware E, M and N using a screwdriver (not provided).

Then attach hardware part M to the panel (1) using hardware D with a screwdriver (not provided).

**DO NOT use any power tools as this may damage the frame and will invalidate any claim.**

**Birlea Furniture advise you use the wall straps provided to further enhance the safety of this product.**



### Additional Information:

- For complete product information, images and dimension diagrams please visit the website [www.birlea.com](http://www.birlea.com)
- If you have any issues with your item please contact the retailer directly you purchased it from who will be able to resolve any issues with Birlea.
- Why don't you send us photos of your assembled furniture to [info@birlea.com](mailto:info@birlea.com) to be shared in our #birleahome feature on instagram.



# Birlea

Suppliers of inspiration