

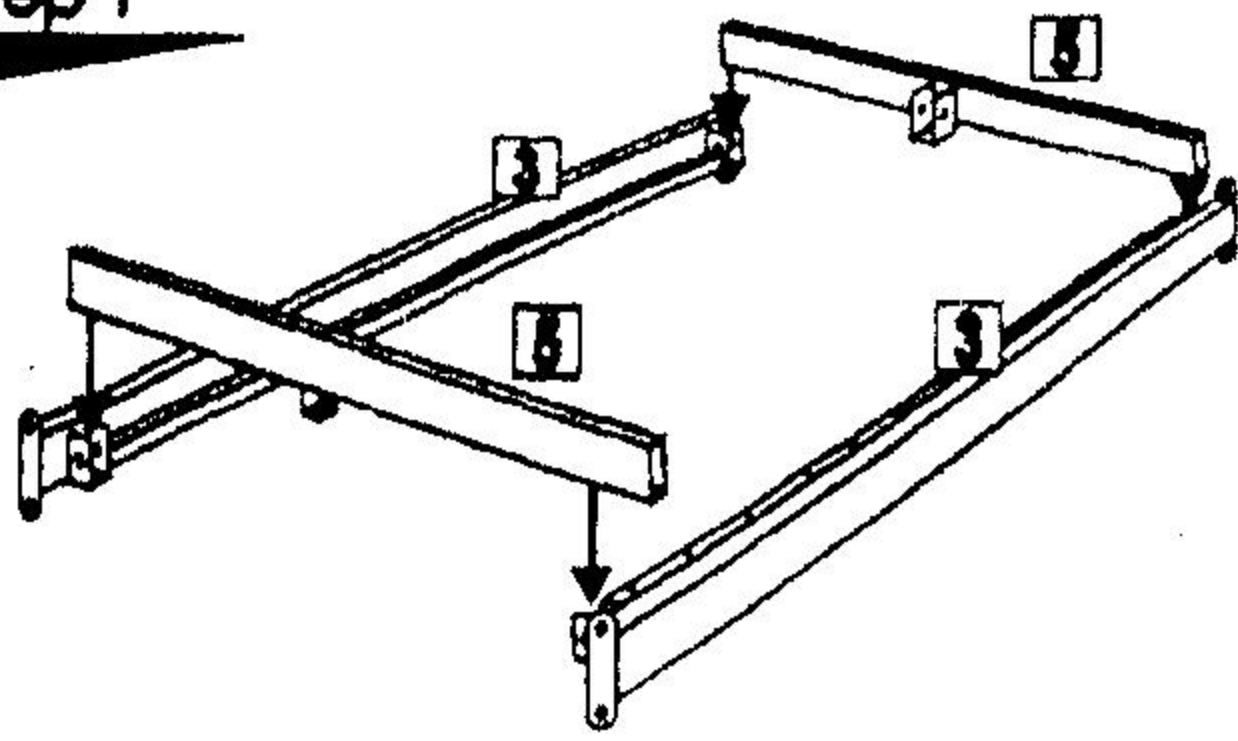
City block 4'e.

* KINDLY CHECK ALL THE FITTING BEFORE START ASSEMBLY

CITY BLOCK DOUBLE BED/ QUEEN BED

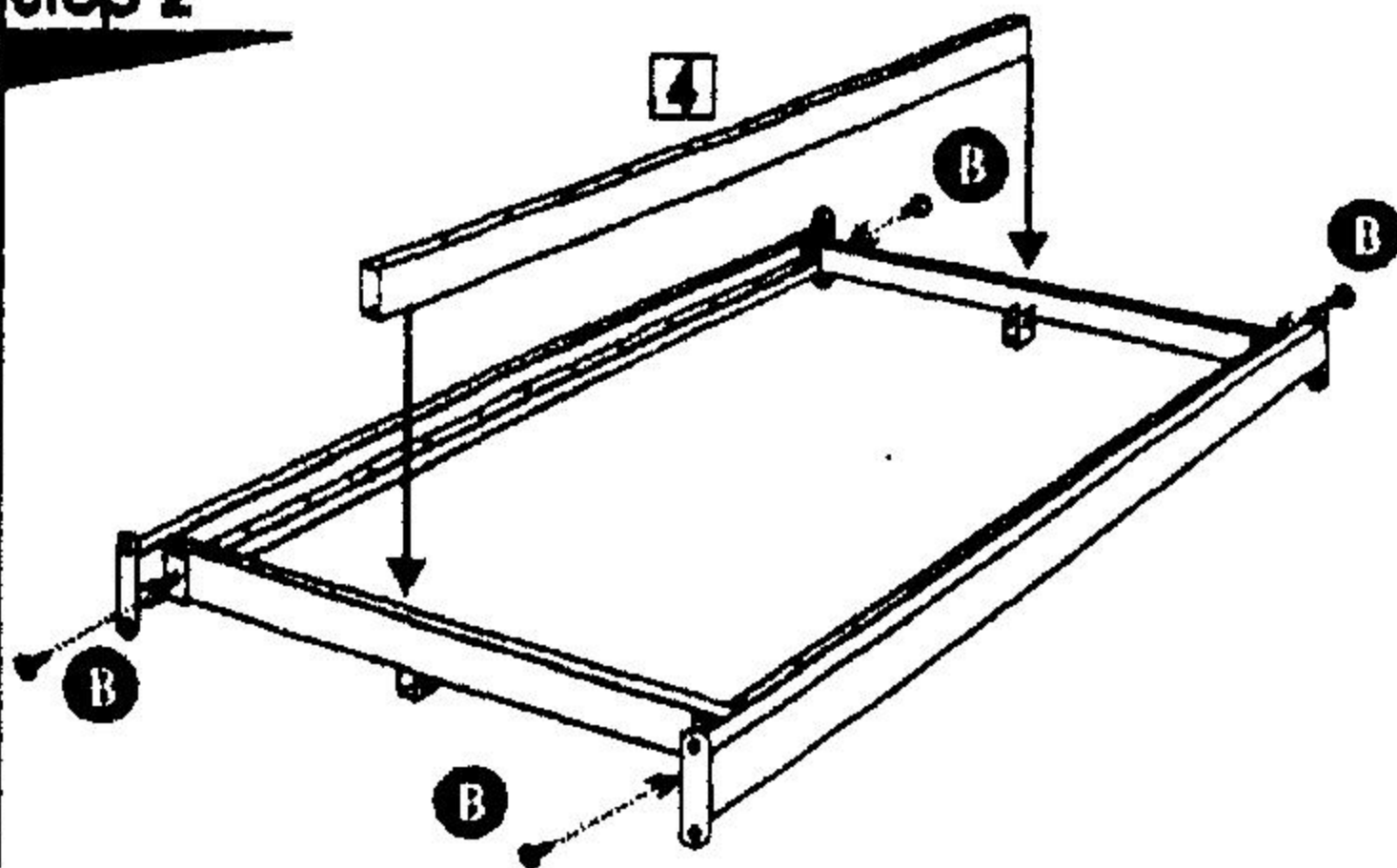
Assembly Instruction

Step 1



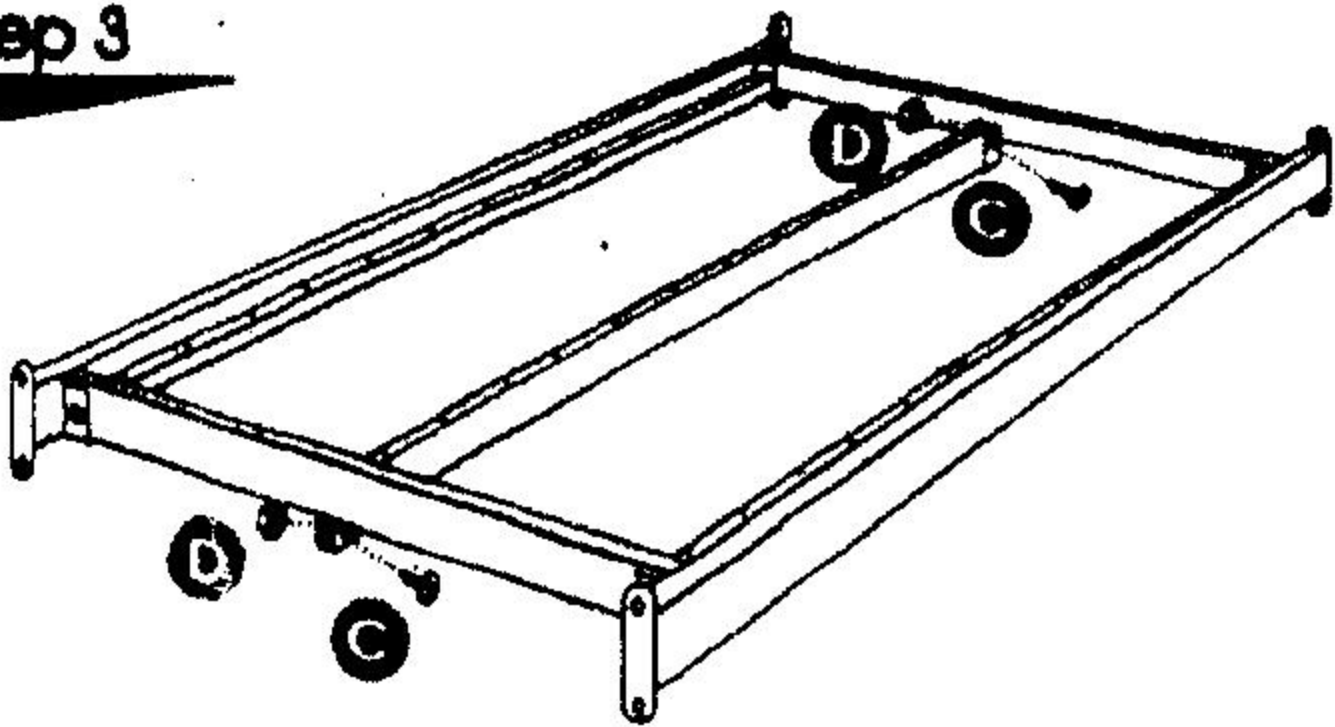
Insert Rectangular Hollow Pipe as shown.

Step 2



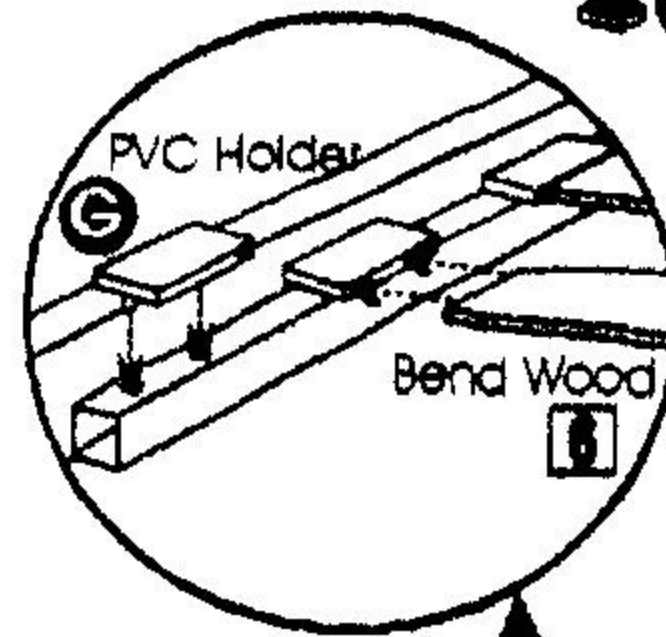
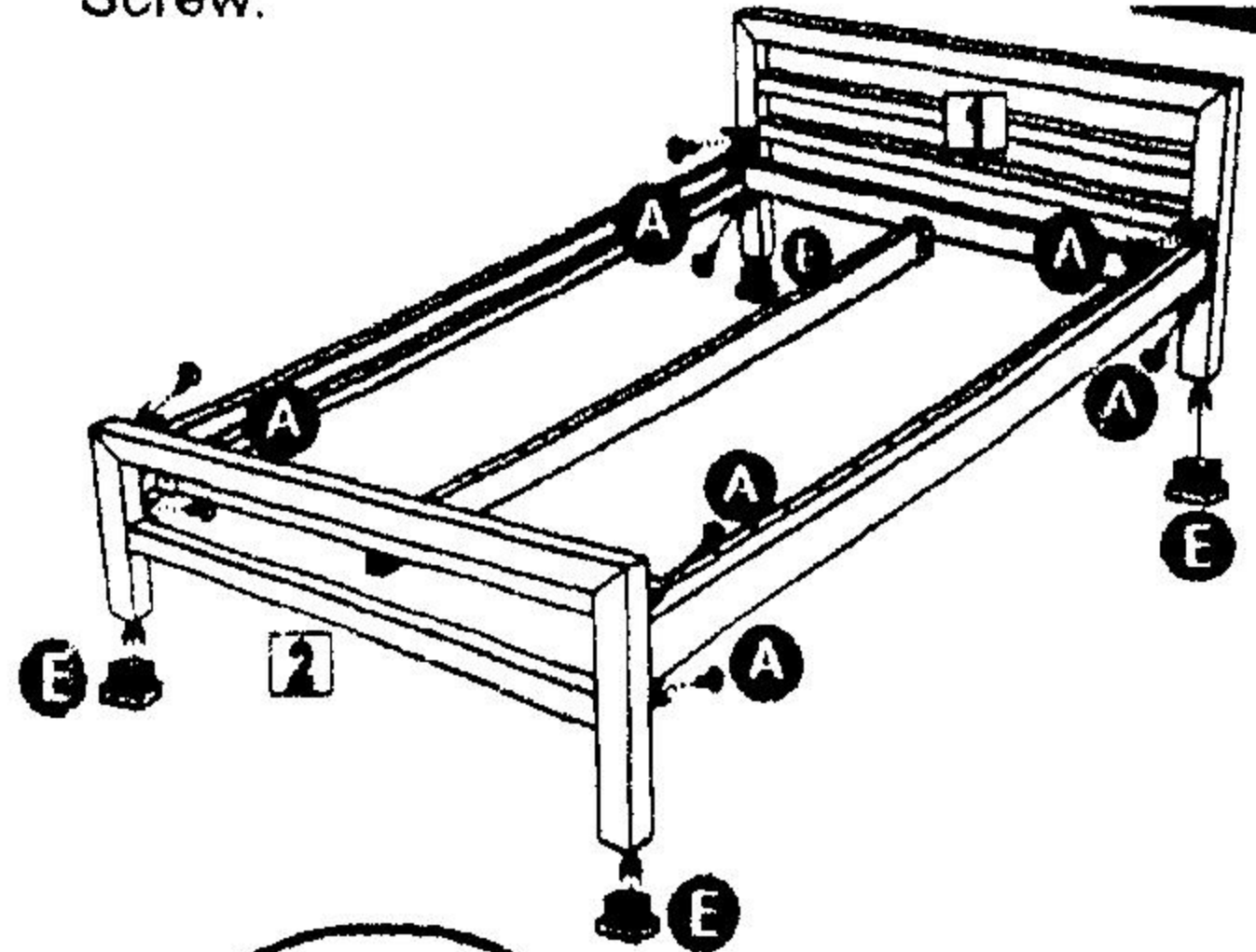
Screw it with M6 X 15 JCBC Screw at the end.

Step 3

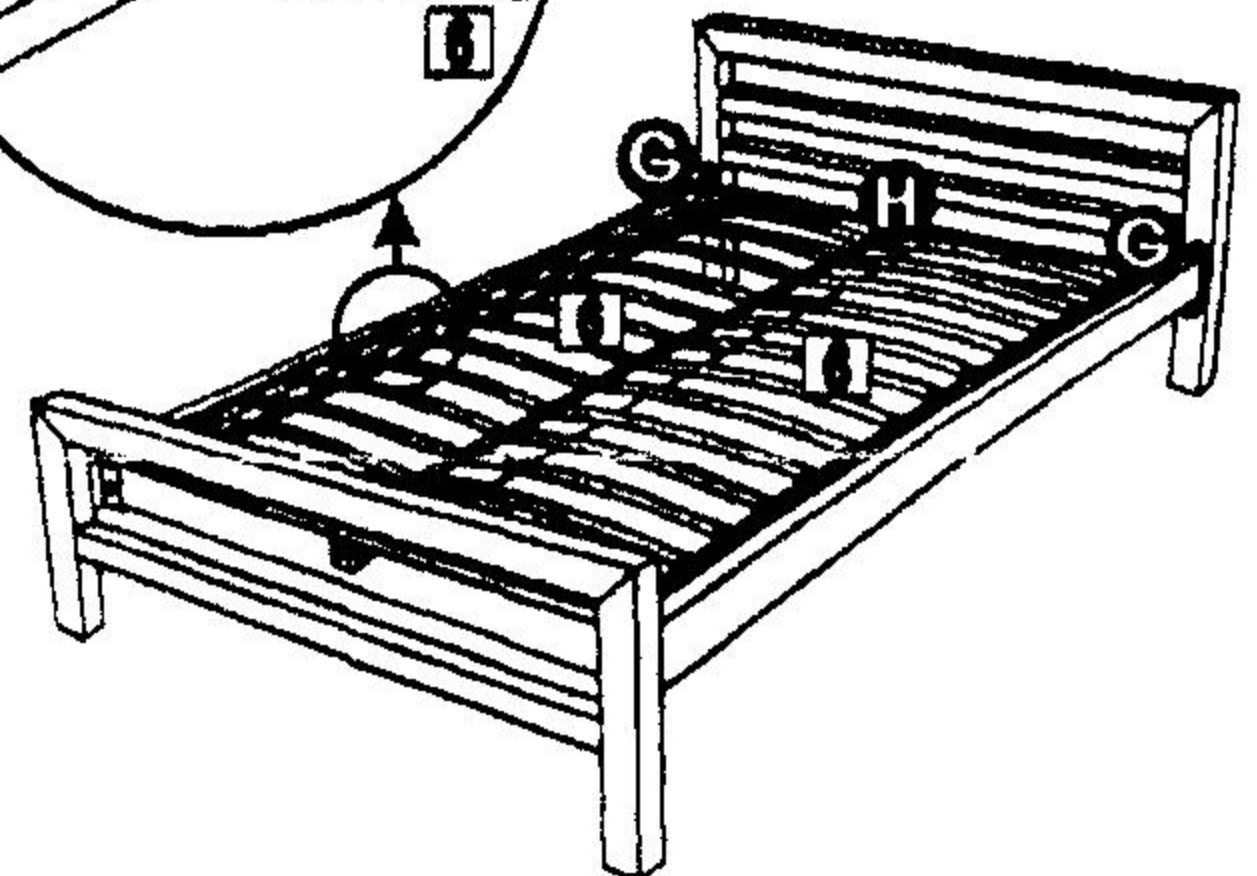


Fix the Centre Pipe with M6 x 40 JCBC Screw & M6 Hex Nut.

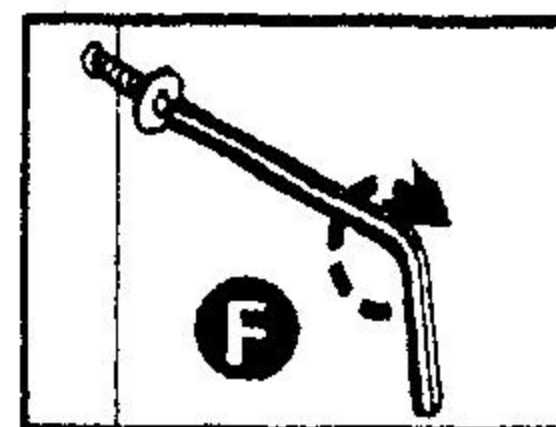
Assembly Side Rail with M6 x 20 JCBB Screw. Step 4



Step 5



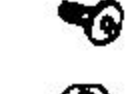




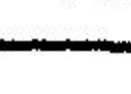


Press PVC Side Holder & Centre Holder to the Hole. Lastly, slot in Bend Woods.



Tighten all the screw with Allen Key.

HARDWARE LIST

A M6 X 20 JCBB SCREW	8 pcs	
B M6 X 15 JCBC SCREW	4 pcs	
C M6 X 40 JCBC SCREW	2 pcs	
D M6 HEX NUT	2 pcs	
E 1 1/2" SQUARE STOPPER	4 pcs	
F M4 ALLEN KEY	1 pcs	
G PVC SIDE HOLDER	26 pcs	
H PVC CENTRE HOLDER	13 pcs	

PART LIST

1 HEADBOARD METAL PANEL	1 pcs
2 FOOTBOARD METAL PANEL	1 pcs
3 SIDE RAIL	2 pcs
4 CENTRE PANEL	1 pcs
5 HORIZONTAL PANEL	2 pcs
6 BEND WOOD	26 pcs