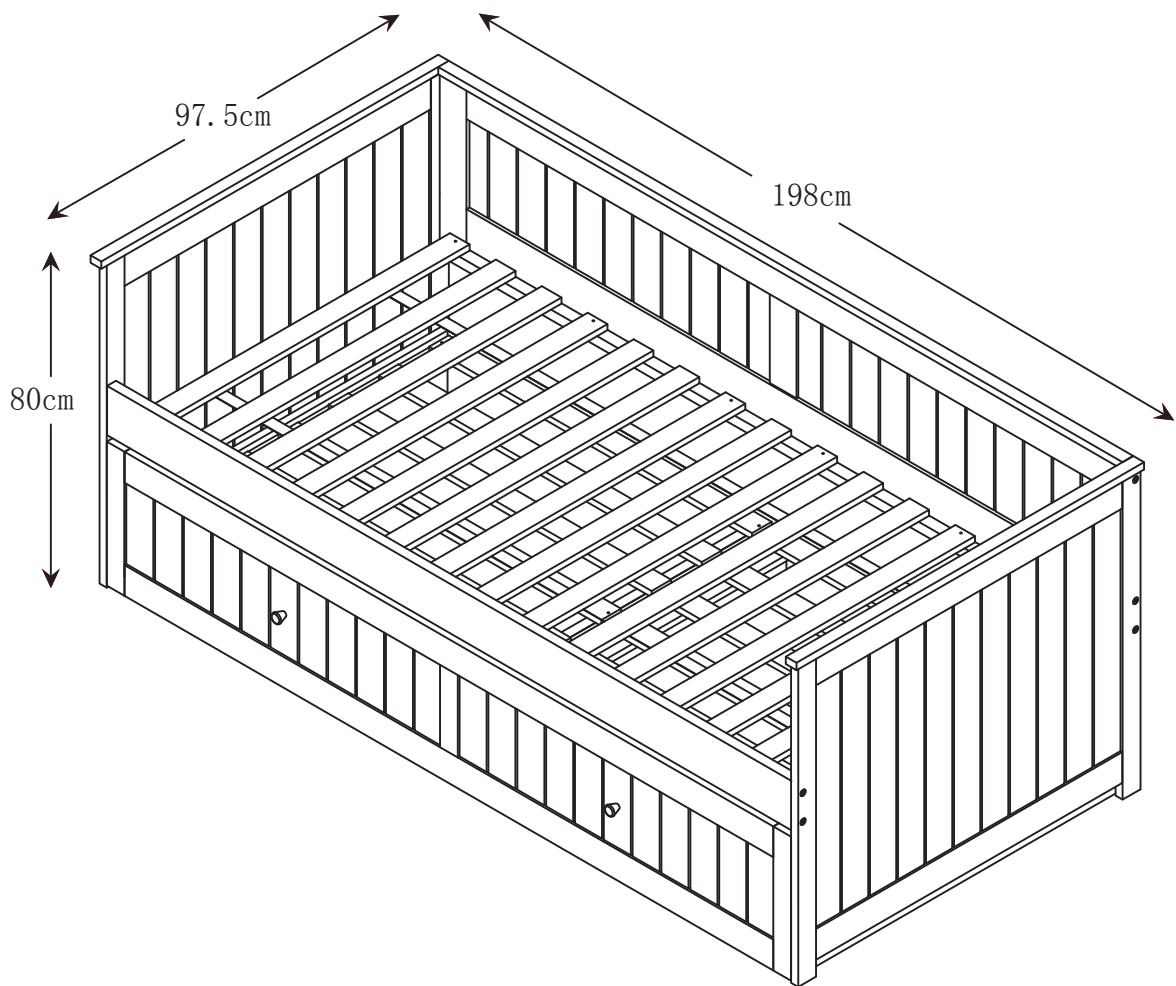
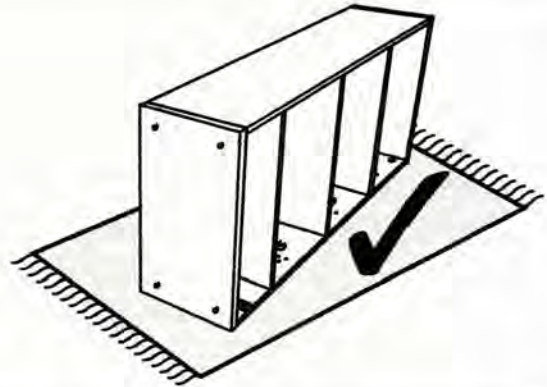
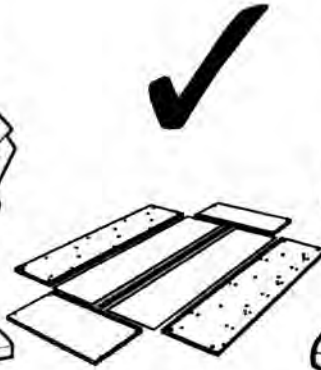
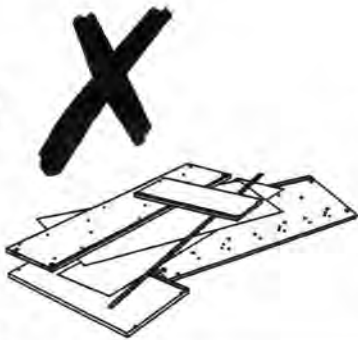
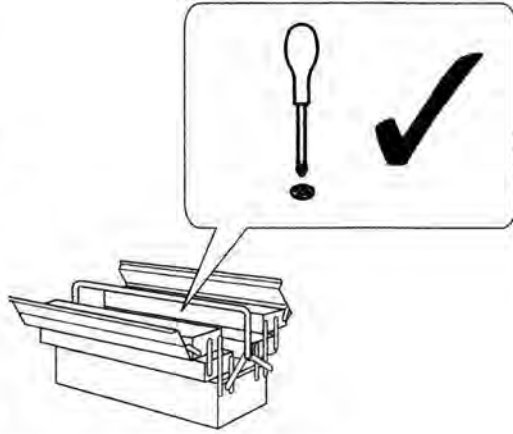


Daybed & Underbed

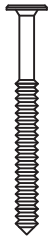










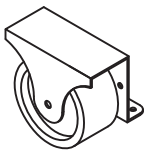
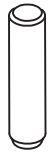
Assembly Instructions



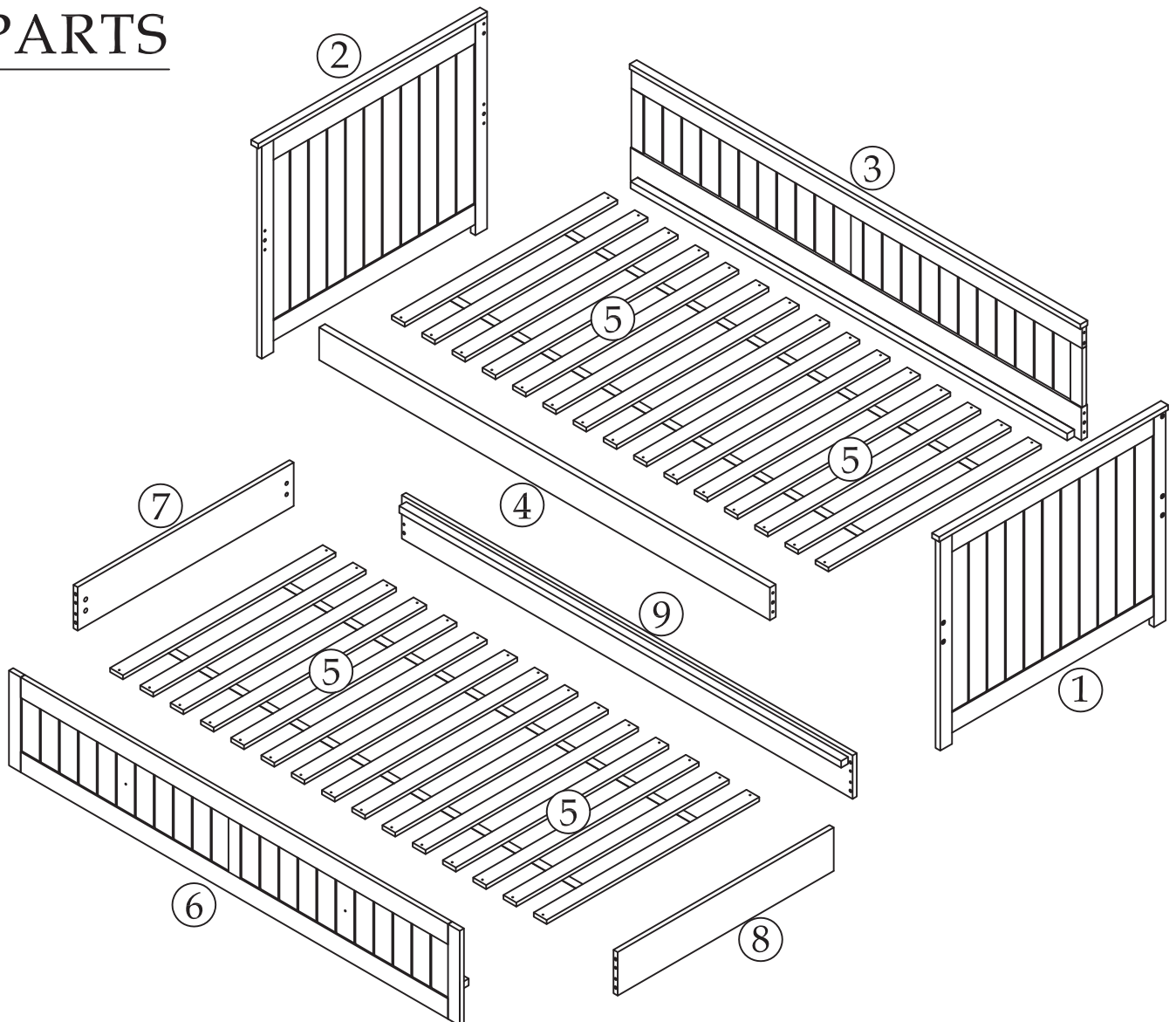


CUSTOMER SERVICE
(01623 727374)

HARDWARE

						
A	B	C	D	E	F	G
M6x70mm	Ø10x15mm	Ø6x34mm	Ø15x10mm	Ø10x40mm	Allen Key	Cap
14x	14x	4x	4x	6x	1x	10x
						
H	I	J	K	L	M	
Ø3.5x25mm	Ø3.5x14mm	Handle	Ø4x30mm	Castor	Ø8x30mm	
60x	16x	2x	2x	4x	8x	

PARTS



Safety Advice

Please take the time to carefully read through the whole of these instructions before you commence.

Keep these instructions for future reference.

Unpack, inspect and check off all of the contents.

Please dispose of all packaging safely.

Small component parts could choke a child if swallowed.

We strongly recommend that you keep children well away from the work area.



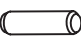

It would be sensible to lay a sheet or blanket on the floor where you intend to work to avoid scratching this product and to protect your floor.

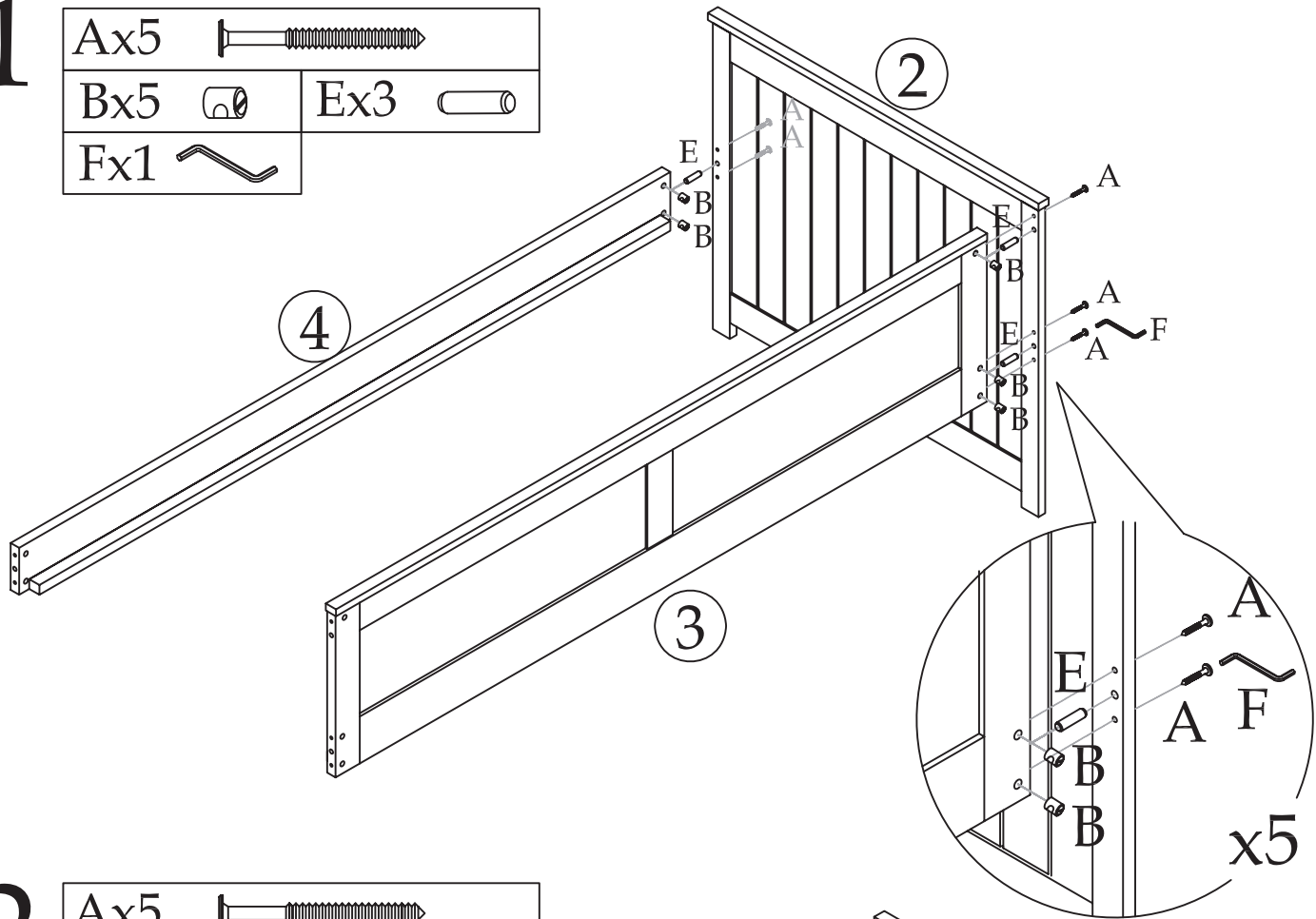
This product is heavy. Take extreme care when lifting to avoid personal injury or damage to the product.

Assemble the product as close to its intended final position in the room as possible.



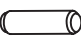
HANDY HINT: If you keep the hardware in a bowl during assembly you will be less likely to lose them.

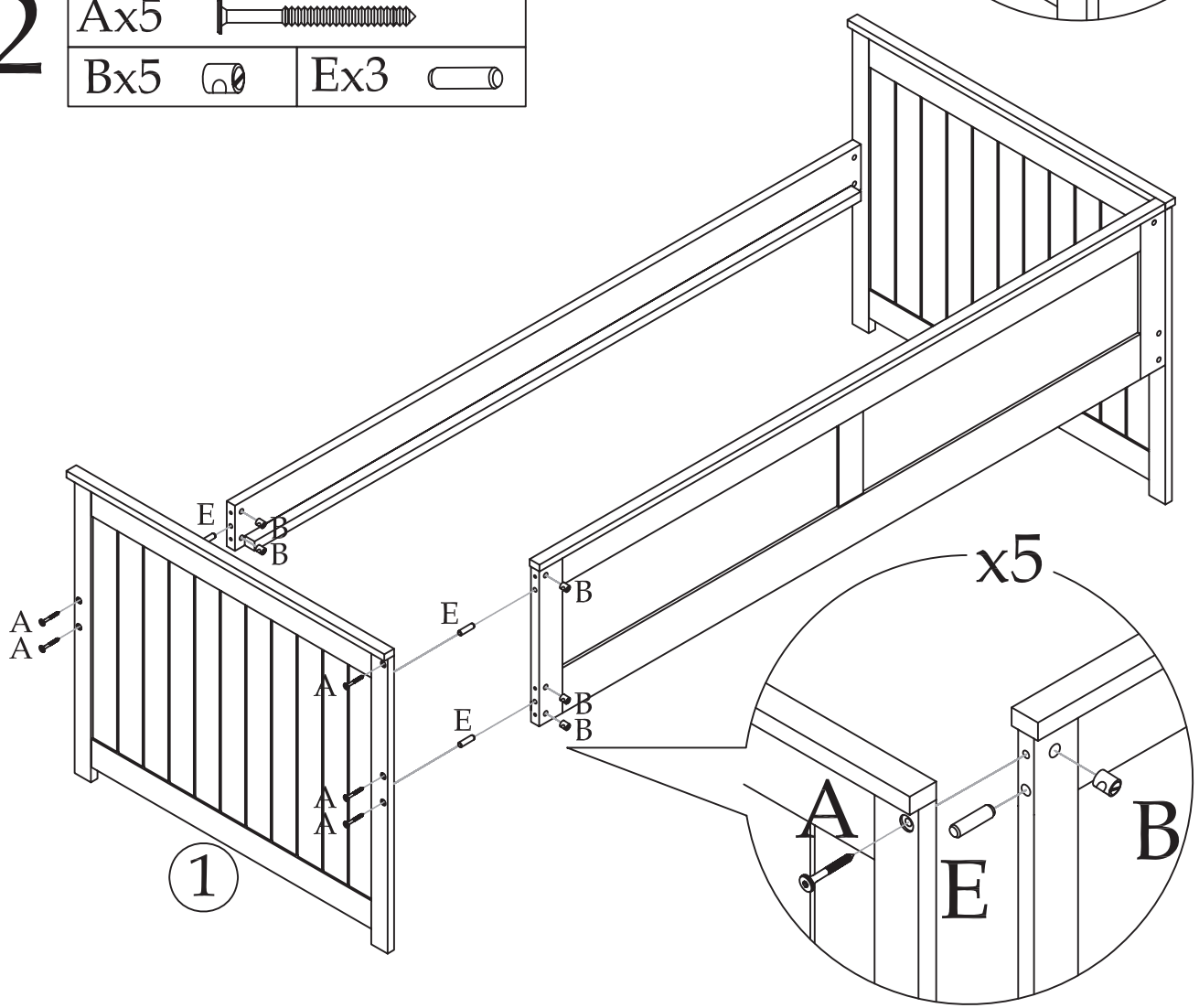
1

Ax5		
Bx5		Ex3 
Fx1		



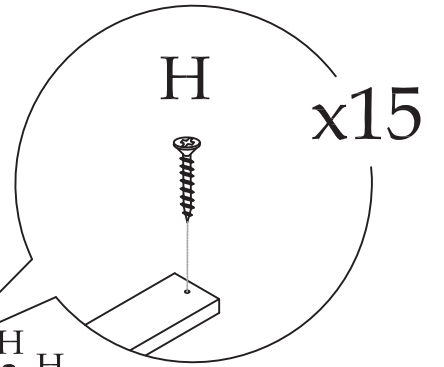
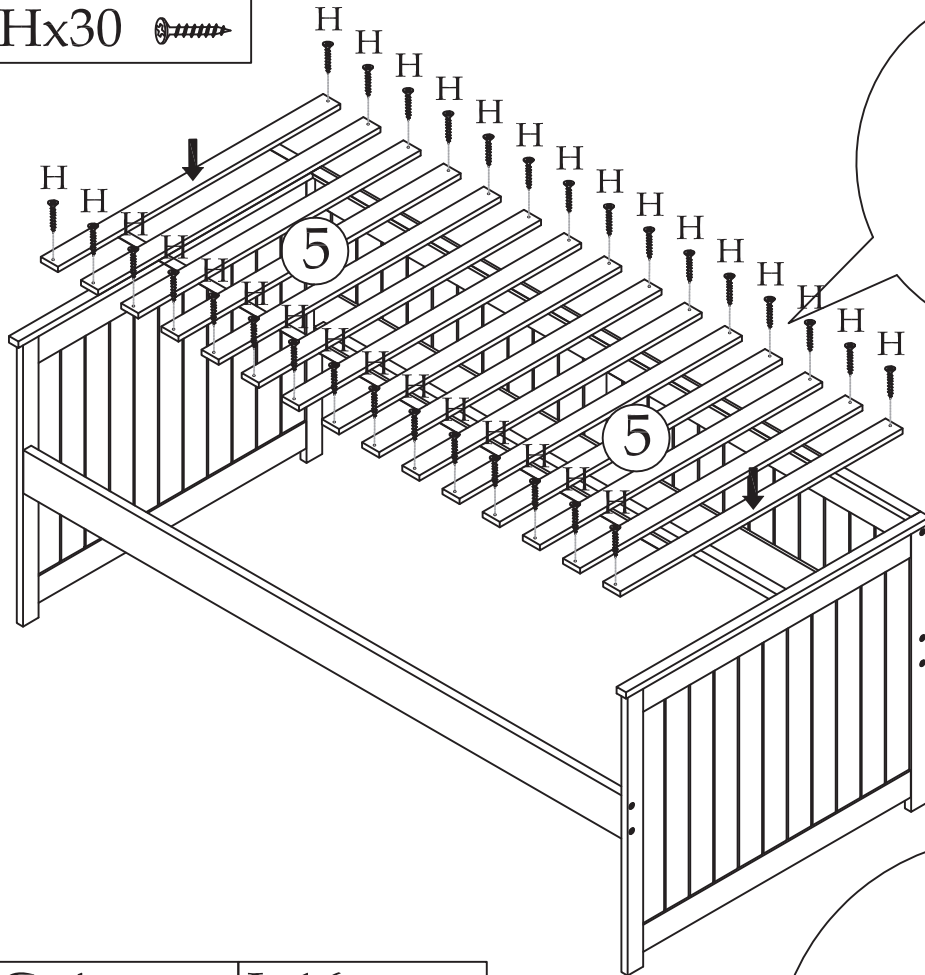
2

Ax5		
Bx5		Ex3 






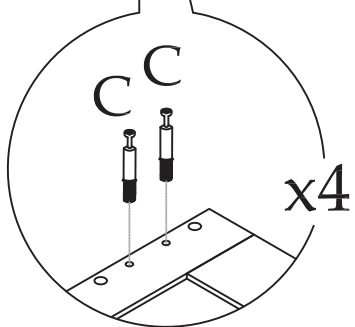
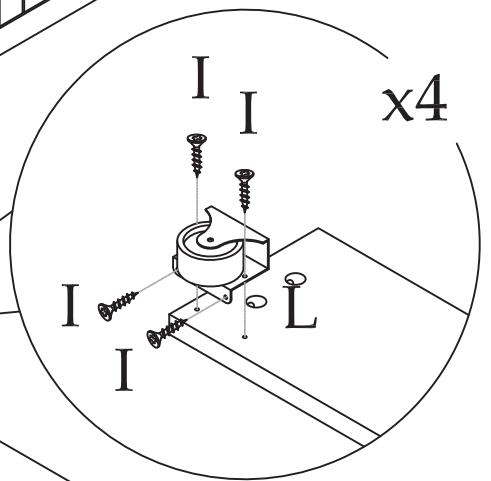
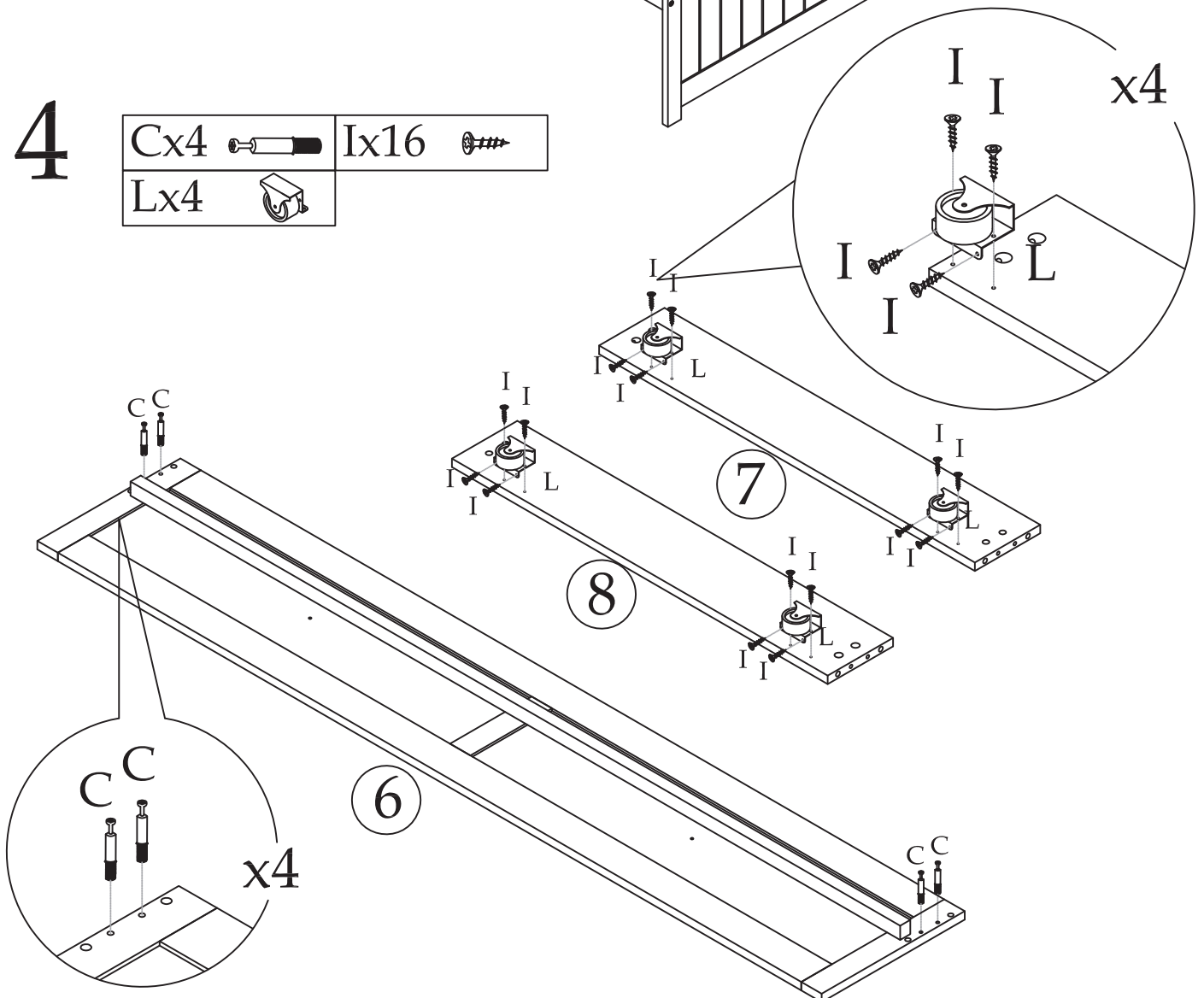
3

Hx30 


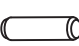


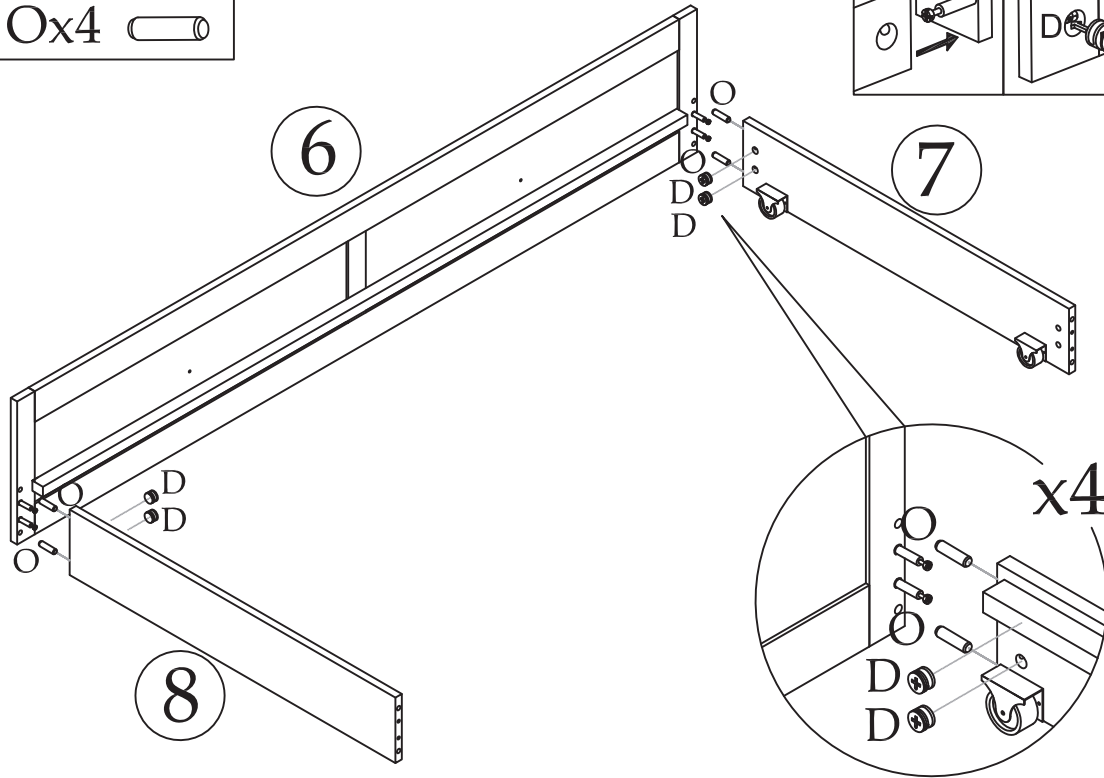
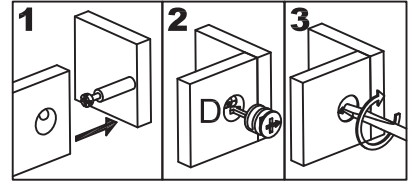
4

Cx4  Ix16 
Lx4 



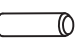




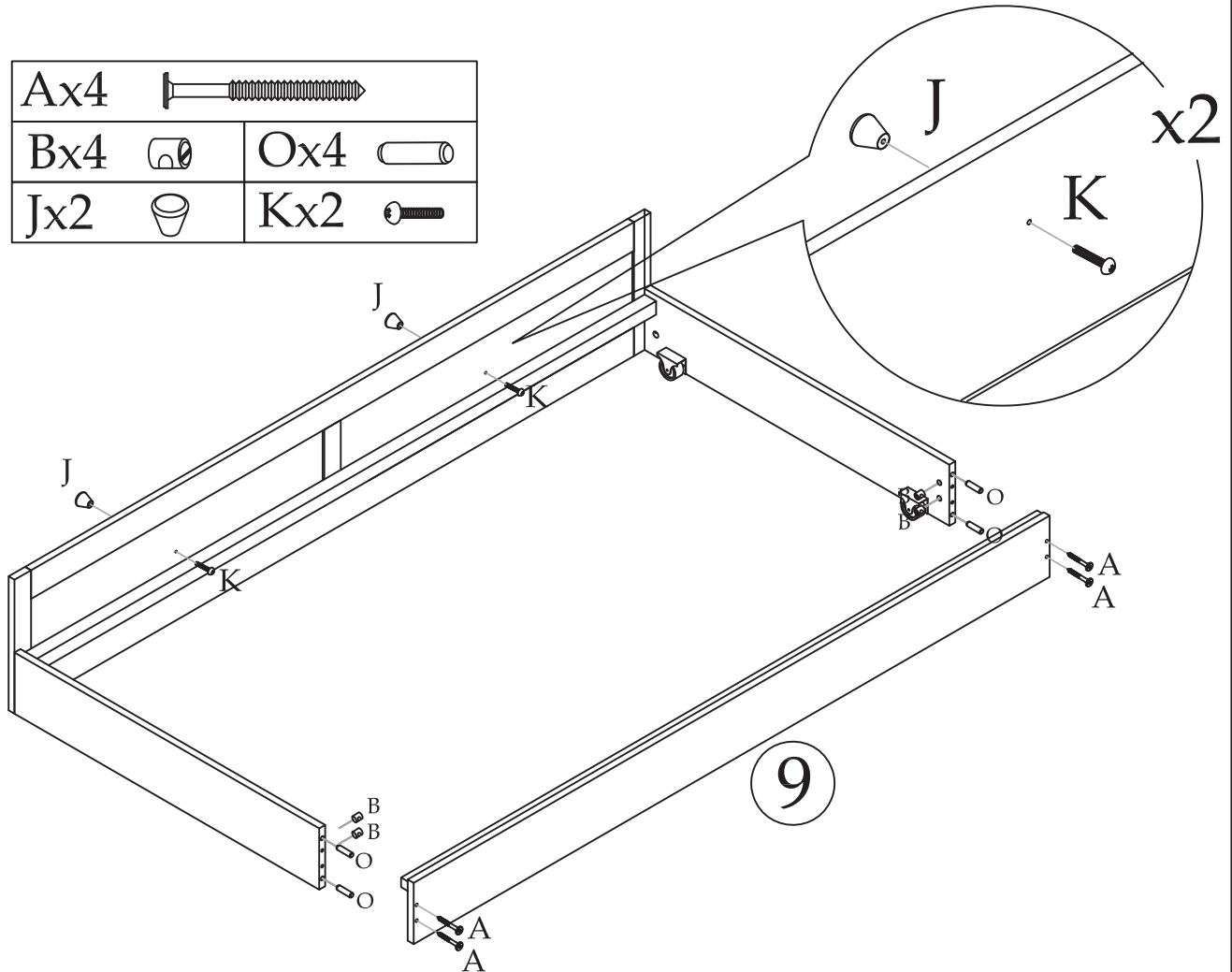
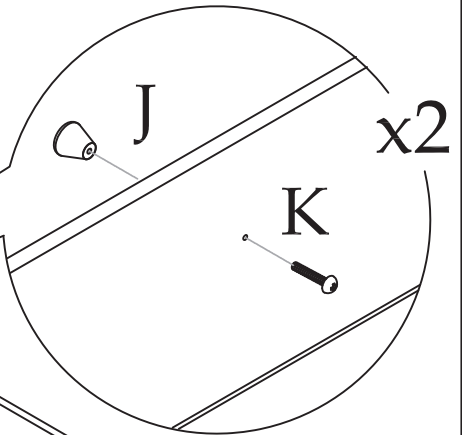
5

Dx4	
Ox4	




6

Ax4		
Bx4		Ox4 
Jx2		Kx2 

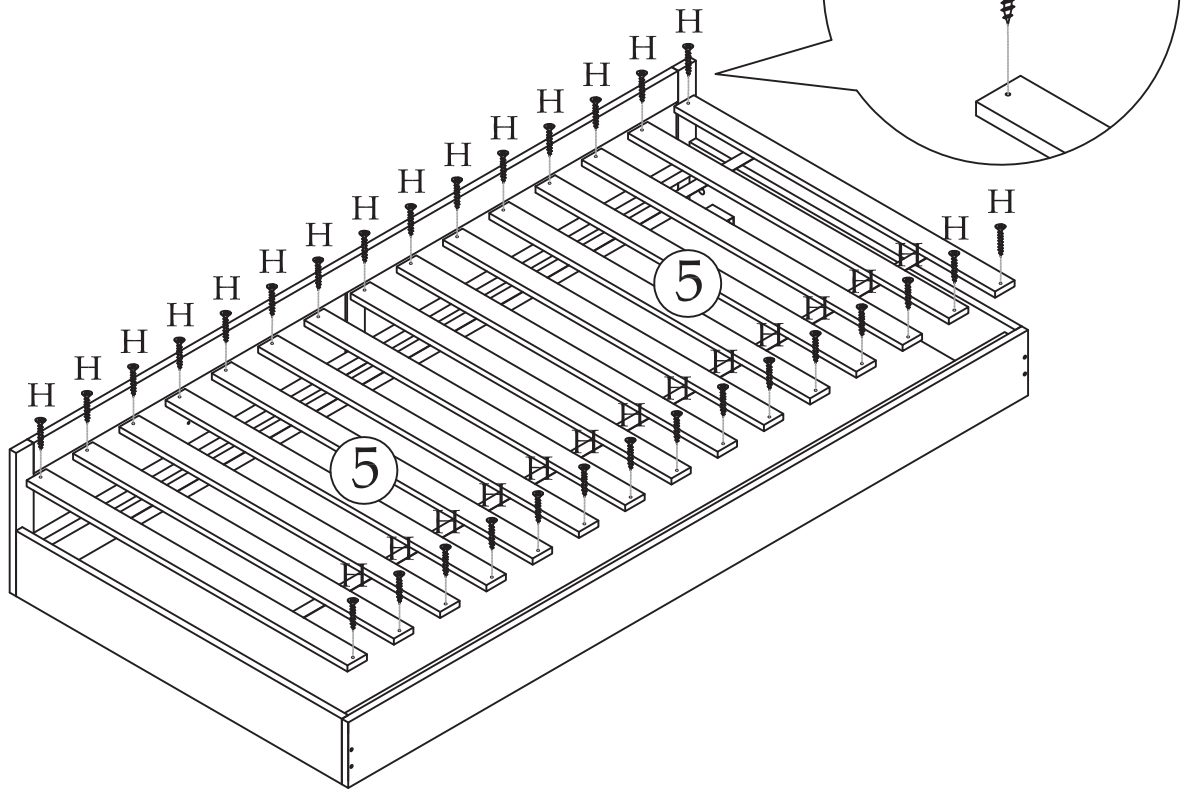


7

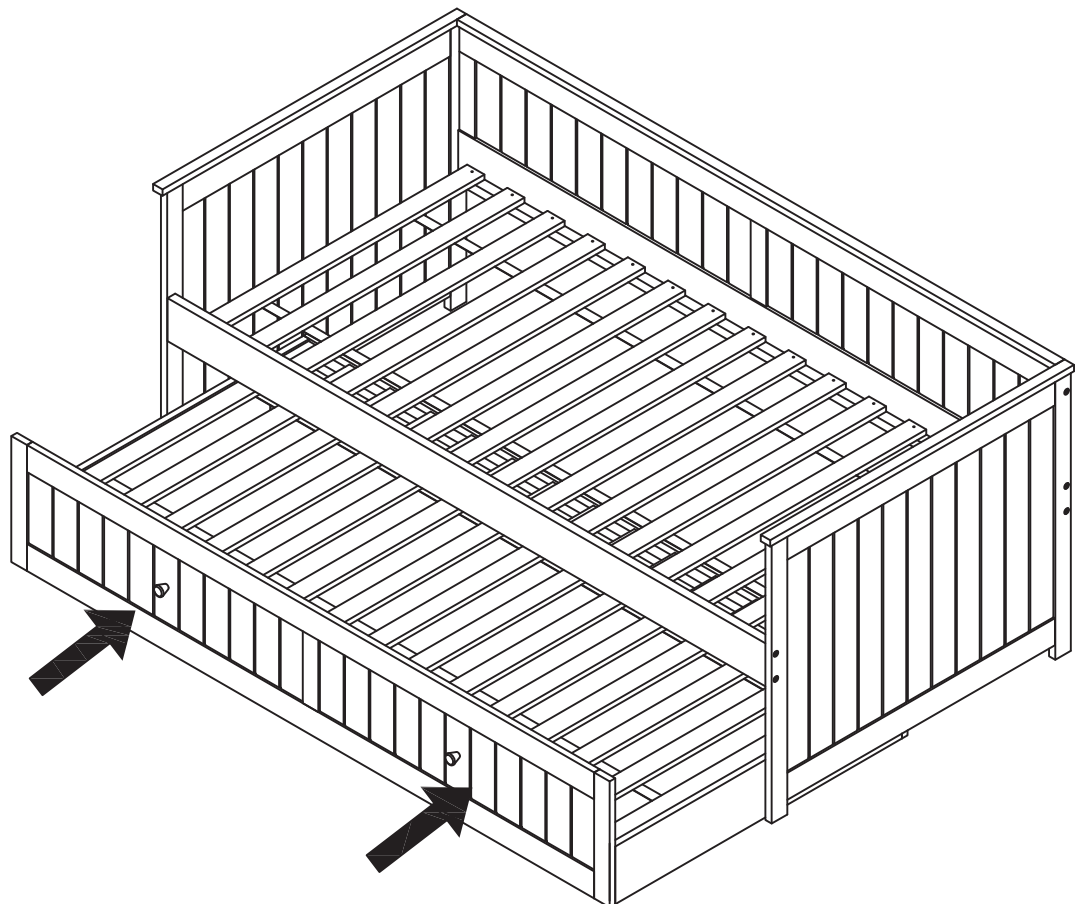
Hx30 

x15


H

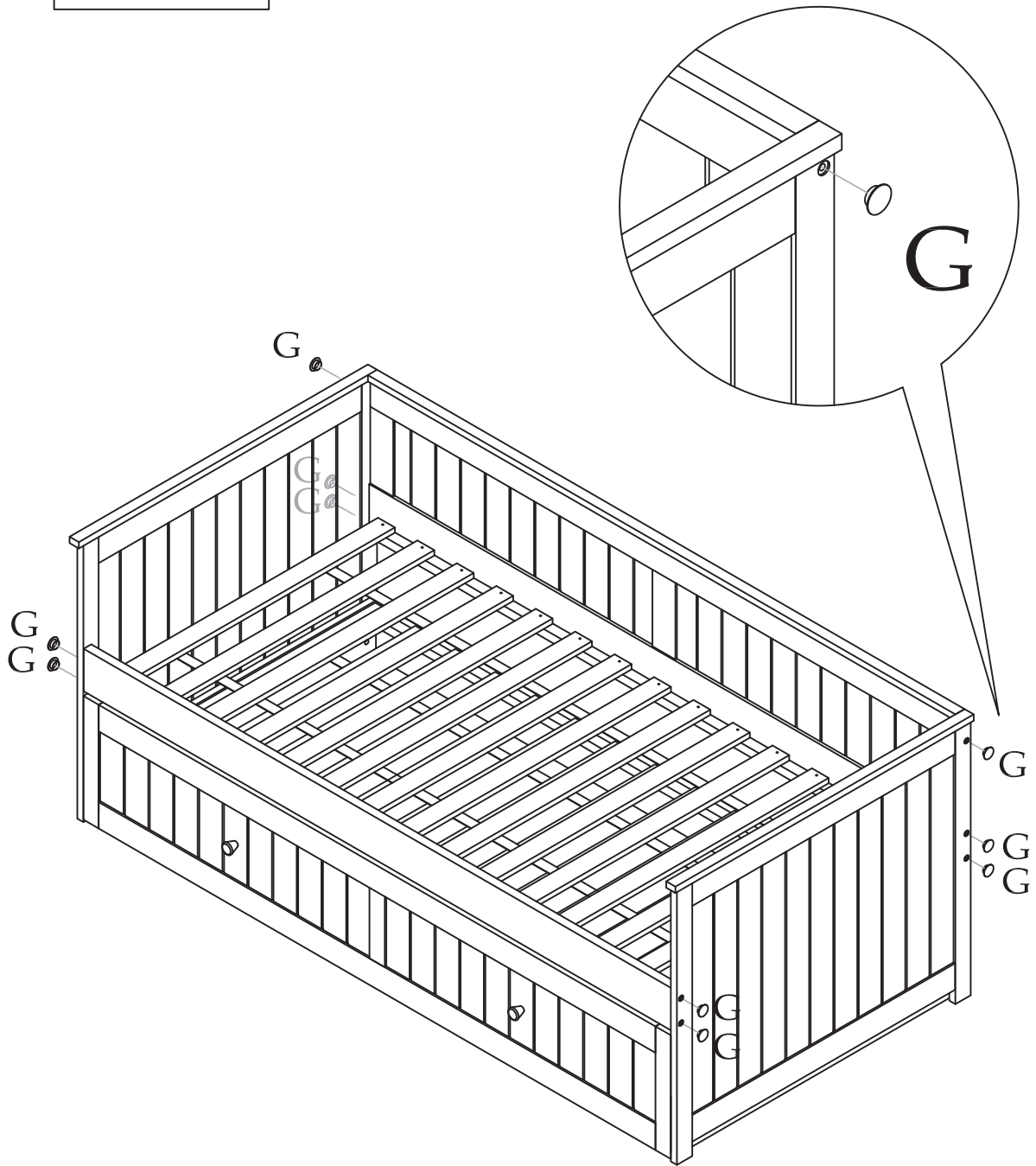


8



9

Gx10 



Your Daybed & Underbed is now ready for use.

General Care

Wipe clean with a slightly damp soft cloth.

Avoid the use of all household cleaners and abrasives.

When moving your furniture, carefully lift into place.

Never drag or push the pieces across the floor as this will cause damage to the joints and could result in failure to the product that will invalidate the warranty.

Recommendations

Periodical re-tightening of fixings.

Warning

This unit is heavy. Please use an assistant when lifting.

Notes

We've tried to make this piece of furniture as easy to assemble as possible. In the unlikely event that you have problems putting it together or have damaged or missing pieces, please contact our customer services on 01623 727374