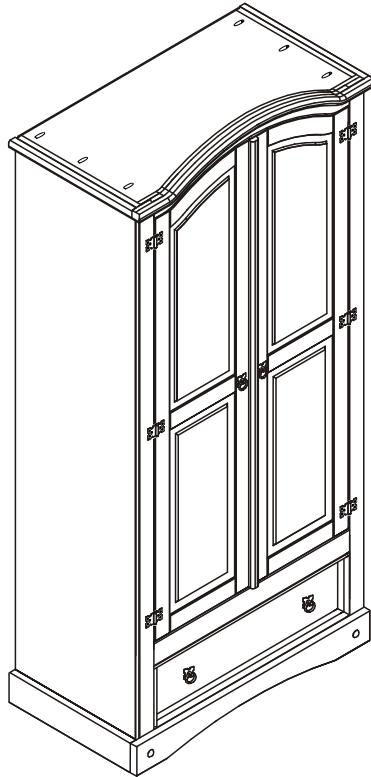


Corona 2 Door 1 Drawer Wardrobe

ASSEMBLY INSTRUCTIONS



FOR DOMESTIC USE ONLY

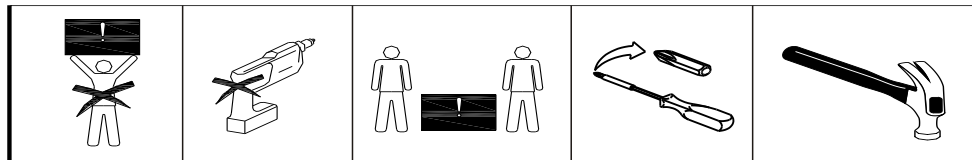
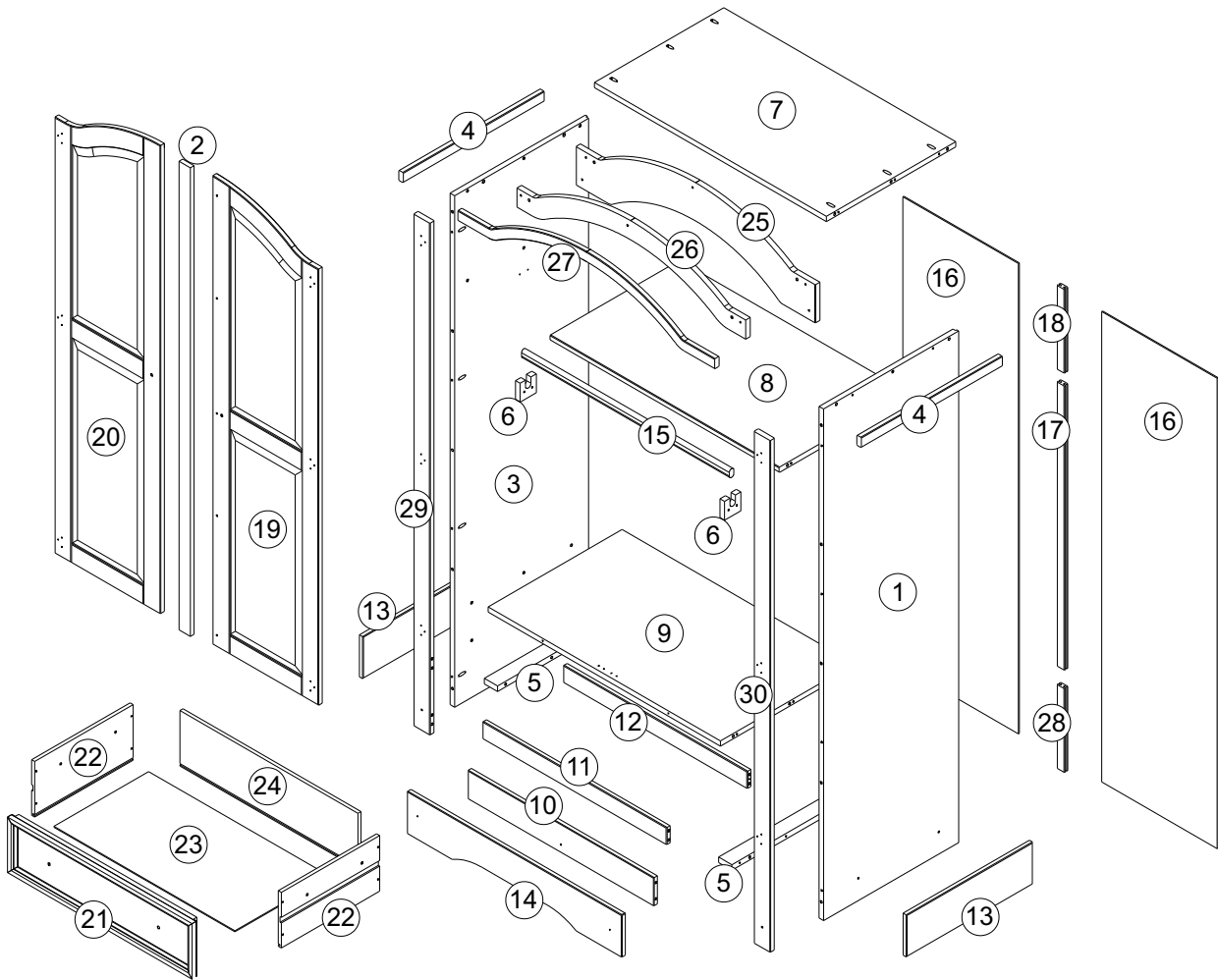
IMPORTANT

PLEASE READ BEFORE YOU CONTINUE FURTHER

CARE AND MAINTENANCE

After unpacking this product please keep the original packaging in case it needs to be returned for any reason.

- Please ensure all fittings and parts are present before commencing with assembly.
- We recommend that you lay a blanket or sheet on the floor to avoid damage to both your floor and the product.
- We strongly recommend that you keep children away from your work area.
- Assemble this product as close to its final position as possible.
- Never drag or push products as this could cause damage to the joints making it inferior.
- Do not place this product next to a radiator or in direct sunlight.
- Wood is a natural product and may expand if subjected to damp and may shrink or crack if subjected to heat. Therefore it is recommended that room temperature is maintained, with no sudden temperature fluctuations.
- Make sure any spillage is wiped off immediately.
- Do not place hot or chilled items directly on to the surface, use a place mat or marking will occur.
- For general cleaning use a duster, and do not use detergents of any kind. However, the surface will need to be retreated from time to time. This can be done by using block wax (unperfumed) and rubbing it over the whole item.
- From time to time it may be necessary to tighten fittings, regular inspections should be carried out.



1	Right Side Panel	01	16	Back Panel	02
2	Door Strip	01	17	Back Panel Strip	01
3	Left Side Panel	01	18	Upper Back Panel Strip	01
4	Top Side Plinth	02	19	Right Door	01
5	Drawer Runner	02	20	Left Door	01
6	Support Hanger	02	21	Drawer Front	01
7	Top Panel (Small)	01	22	Drawer Side	02
8	Top Shelf	01	23	Drawer Bottom	01
9	Shelf	01	24	Drawer Back	01
10	Lower Front Crossbeam	01	25	Top Back Plinth	01
11	Middle Front Crossbeam	01	26	Top Middle Plinth	01
12	Back Crossbeam	01	27	Top Front Plinth	01
13	Side Plinth	02	28	Bottom Back Panel Strip	01
14	Front Plinth	01	29	Left Front Upright	01
15	Hanging Rail	01	30	Right Front Upright	01

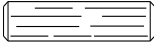
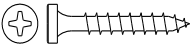
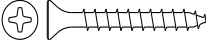

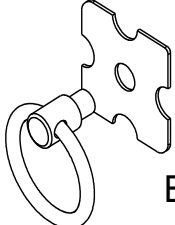

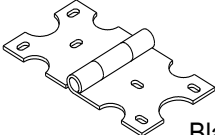
FITTINGS

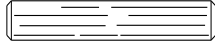
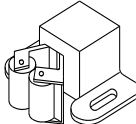

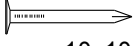
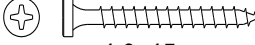
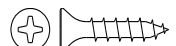

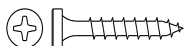
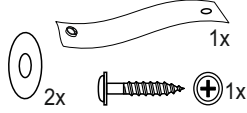


- * Please check contents and read the instructions before commencing assembly.
- * Assemble this product following the enclosed instructions carefully.
- * Please take care to avoid damaging parts during assembly.

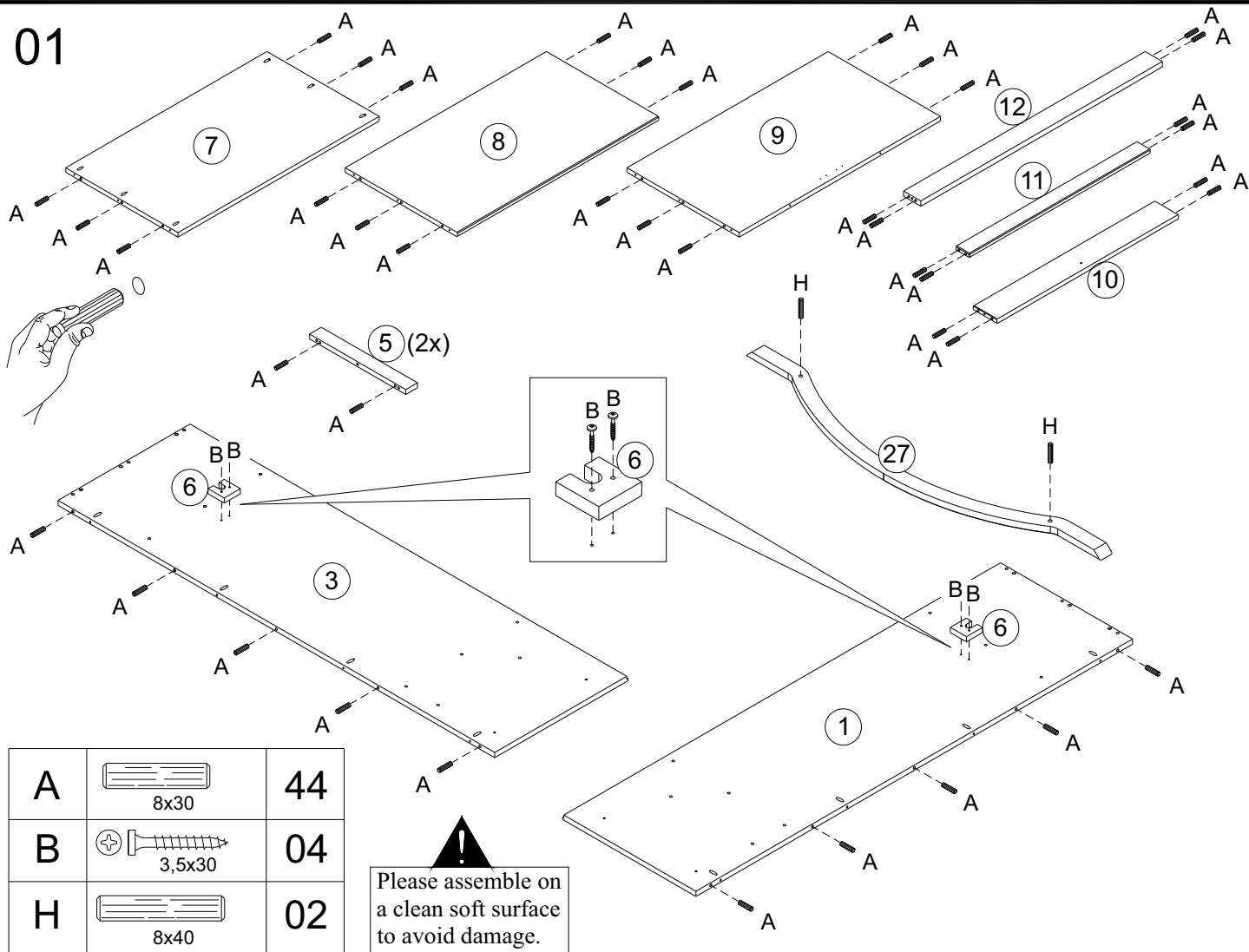


- * Use of power tools to assemble this product will invalidate any claim and could damage this product making it unsafe!!!
- * Please assemble on a clean soft surface to avoid damage.

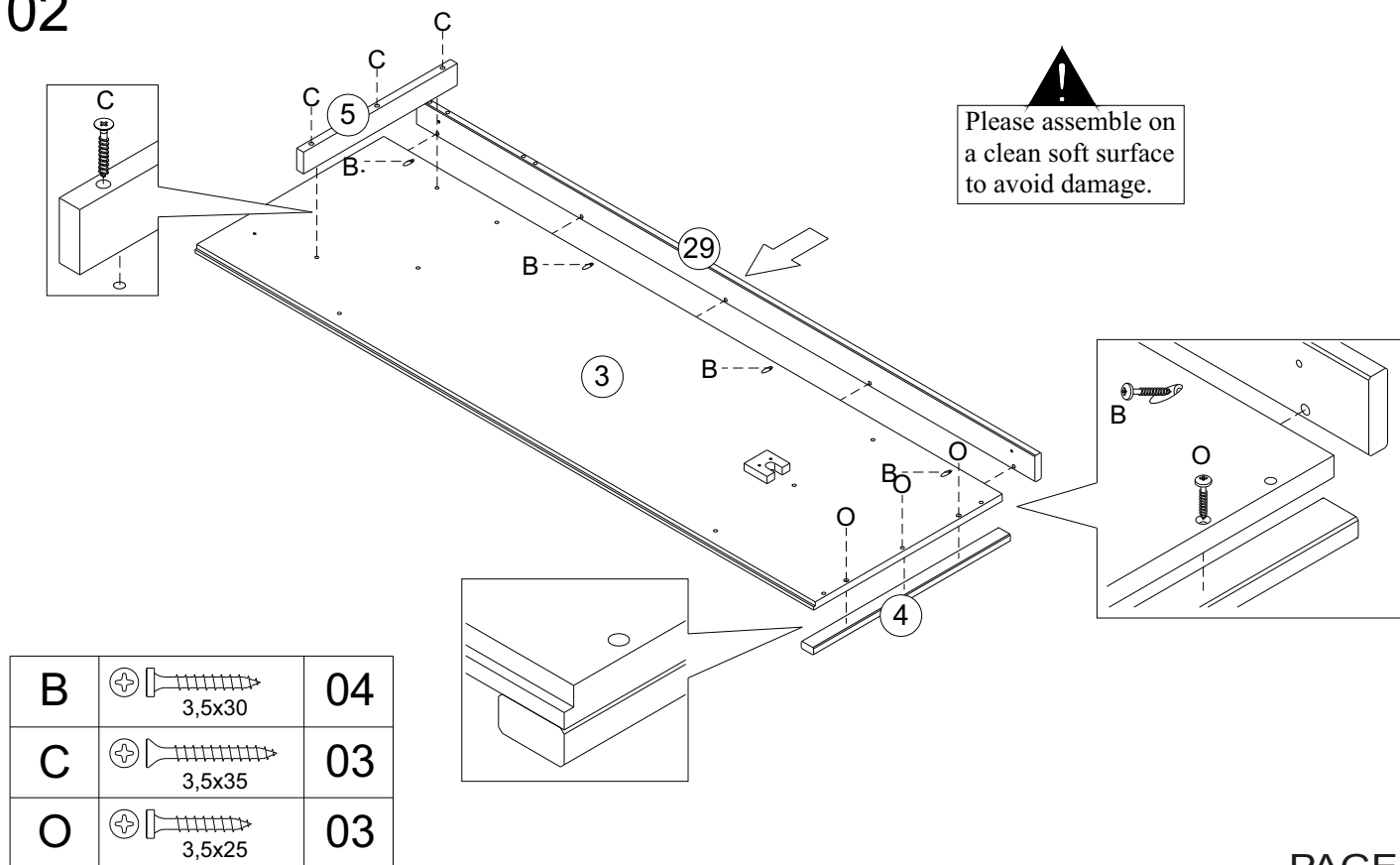
A	 Ø8x30	46
B	 3,5x30	49
C	 3,5x35	14
D	 3,5x16 Black	58
E	 Black	04
F		04
G	 Black	06

H	 Ø8x40	02
I		04
J		04
K	 10x10	26
L	 4,0x45	03
M	 4,0x20	05
N		02
O	 3,5x25	06
P	 2x 1x 1x	01

01

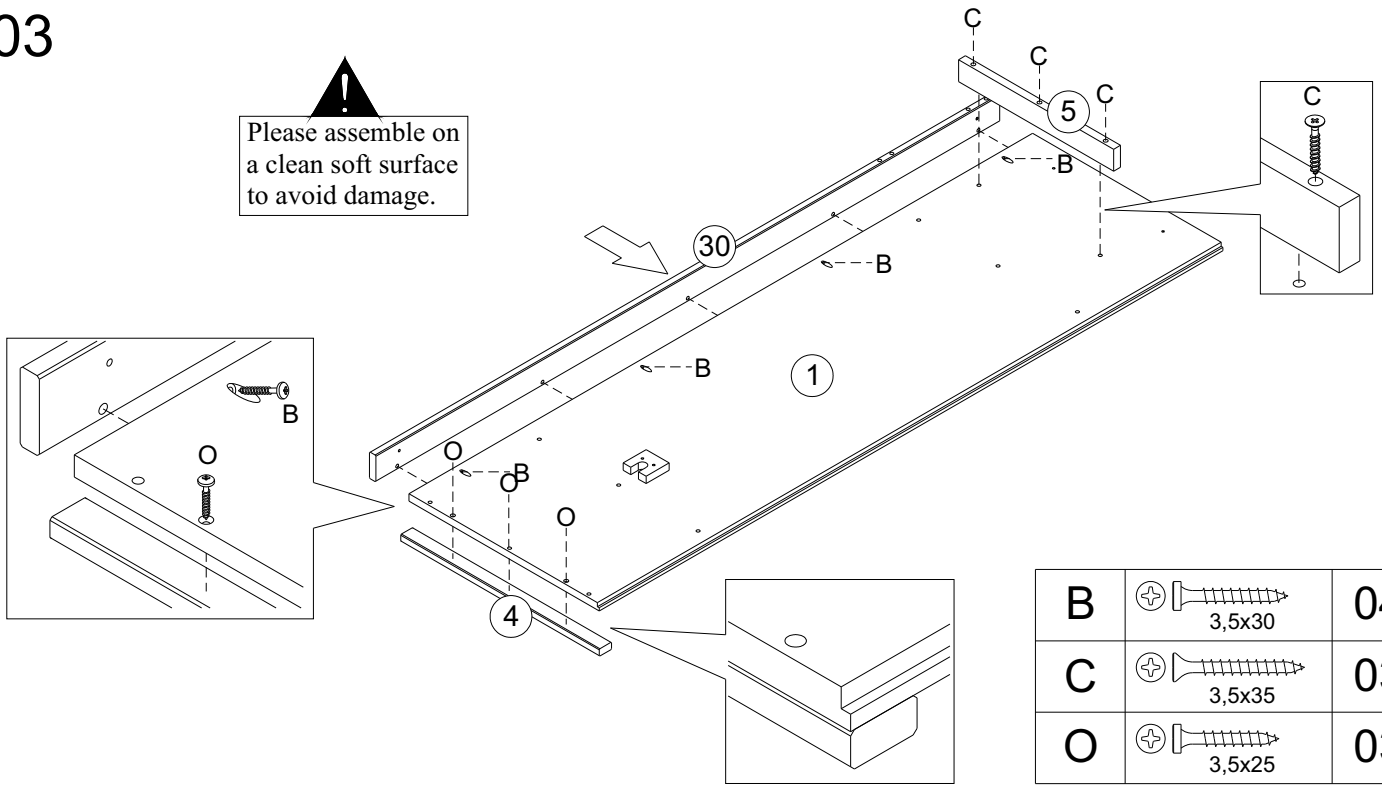


02



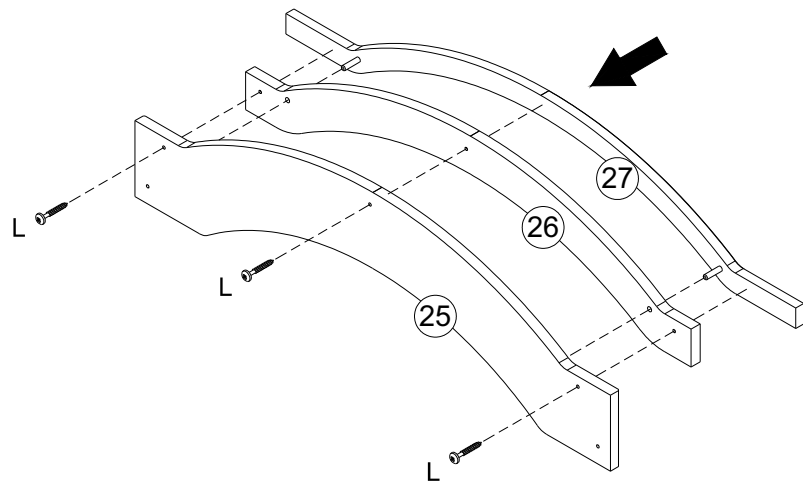
03

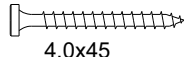
!
Please assemble on a clean soft surface to avoid damage.



04

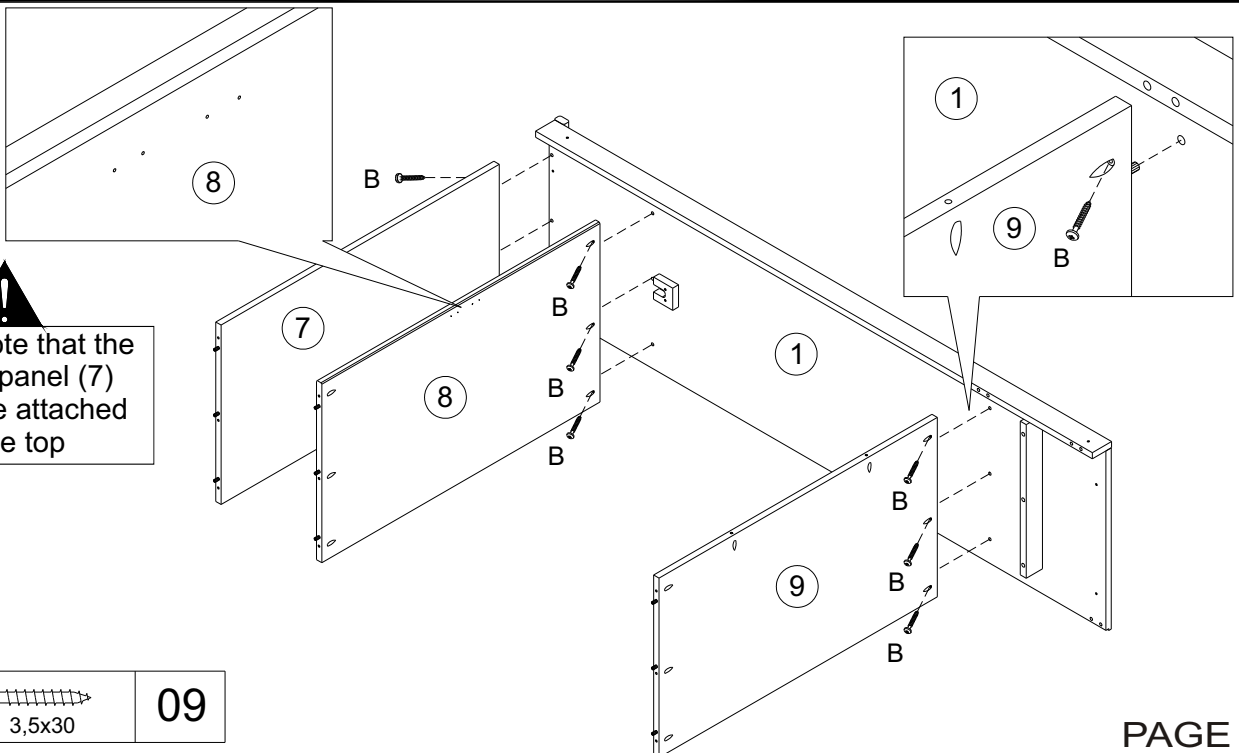
!
Please assemble on a clean soft surface to avoid damage.

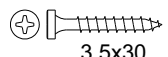


L		4,0x45	03
----------	---	--------	-----------

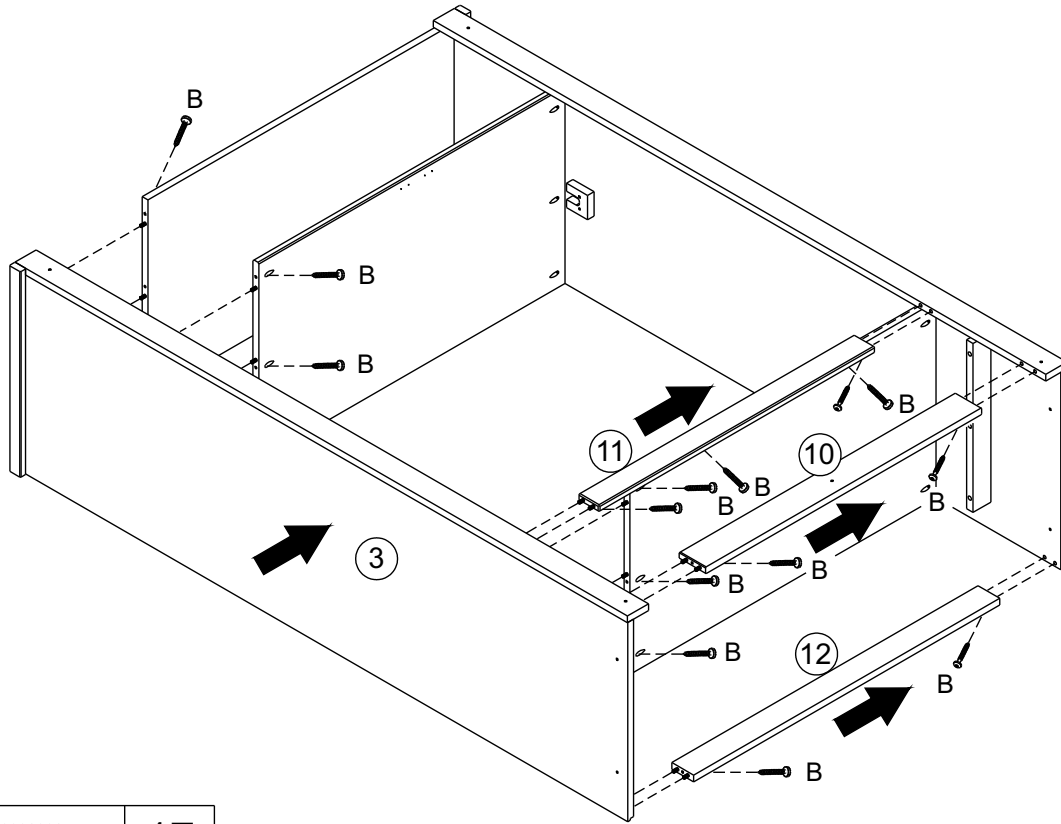
05

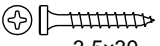
!
Please note that the smaller panel (7) should be attached at the top



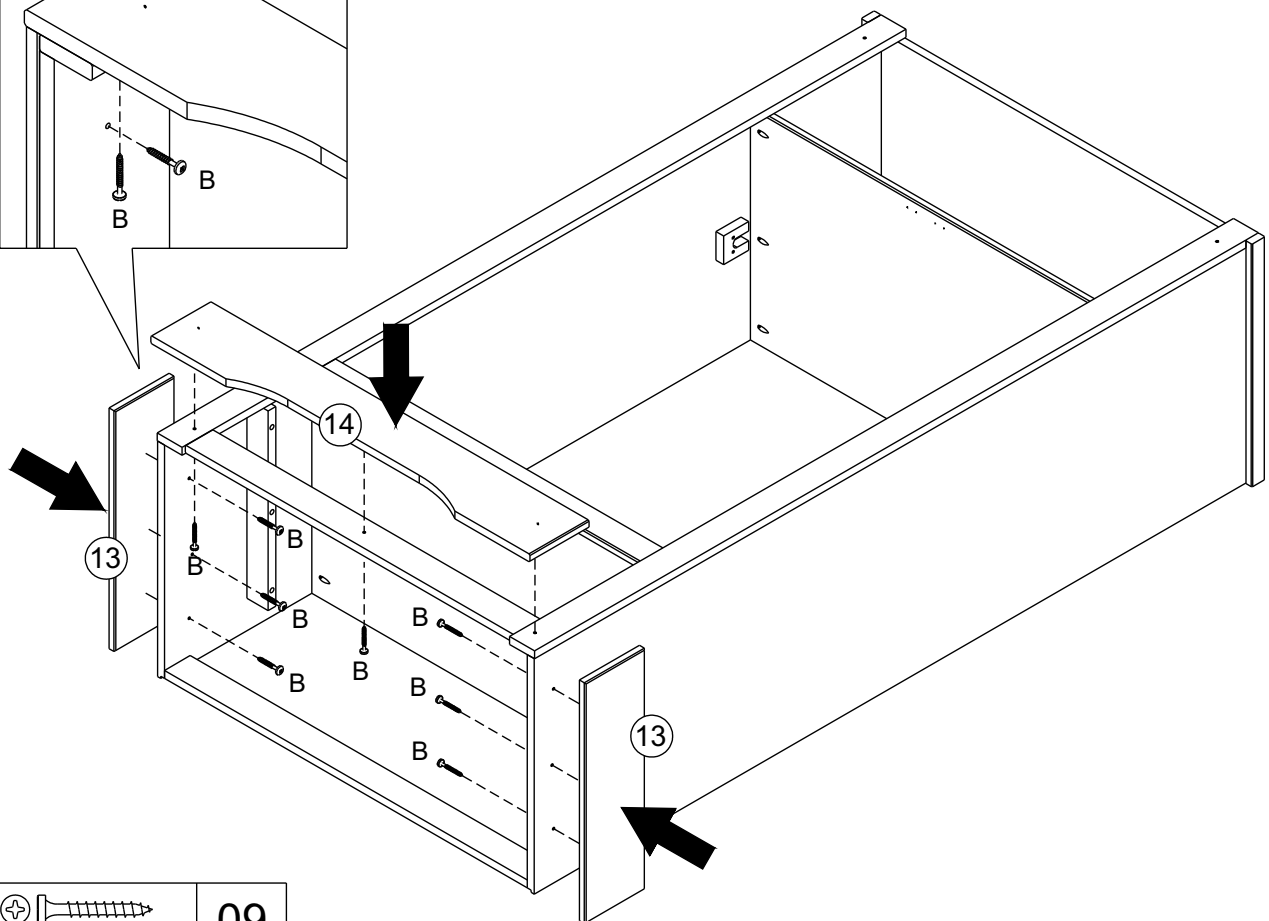
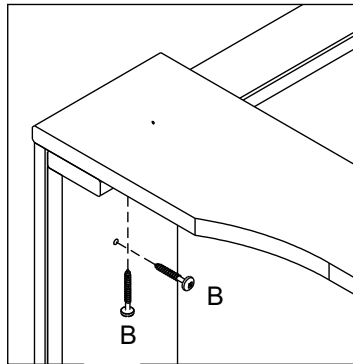
B		3,5x30	09
----------	---	--------	-----------

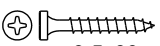
06



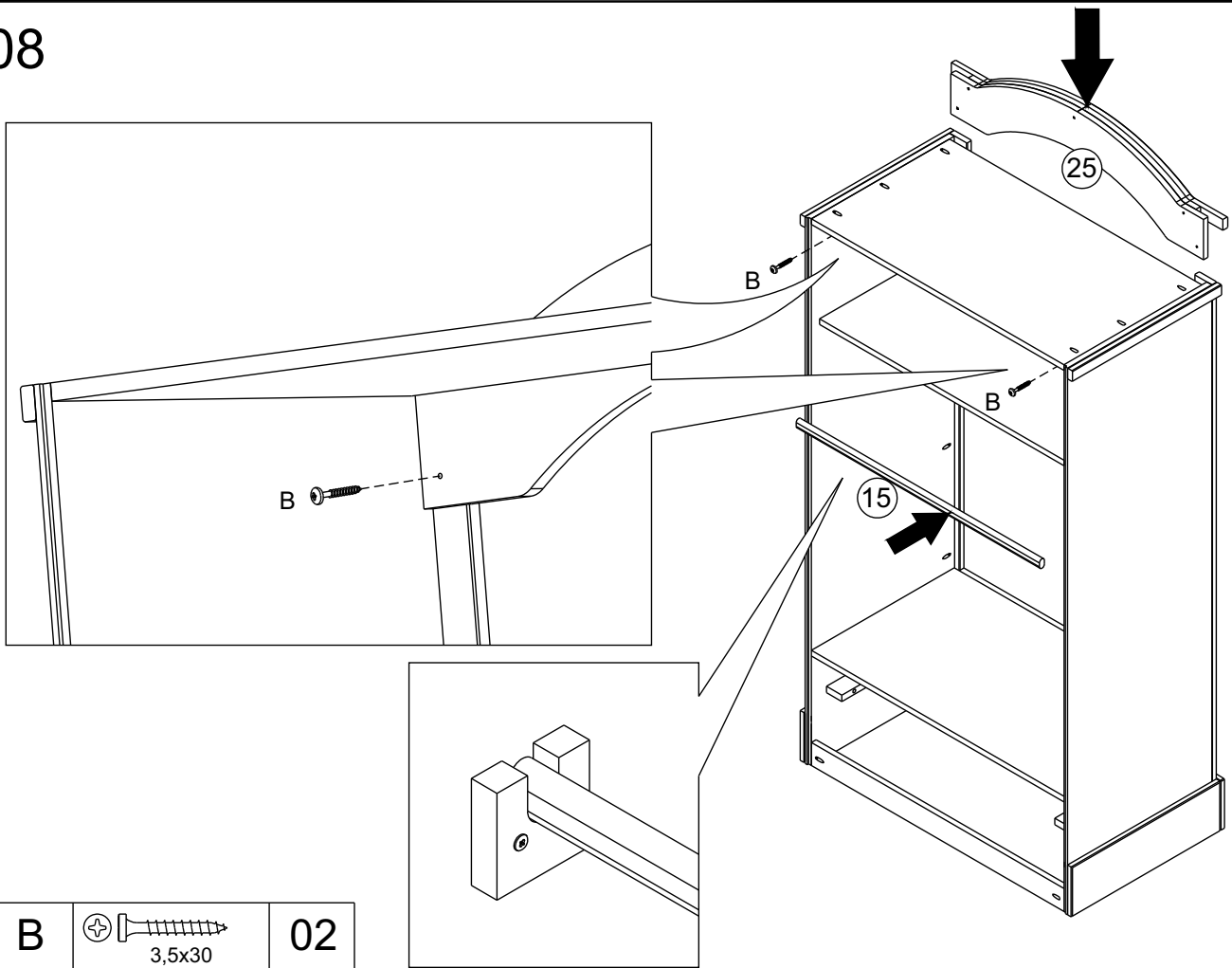
B	 3,5x30	17
---	---	----

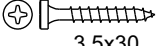
07



B	 3,5x30	09
---	---	----

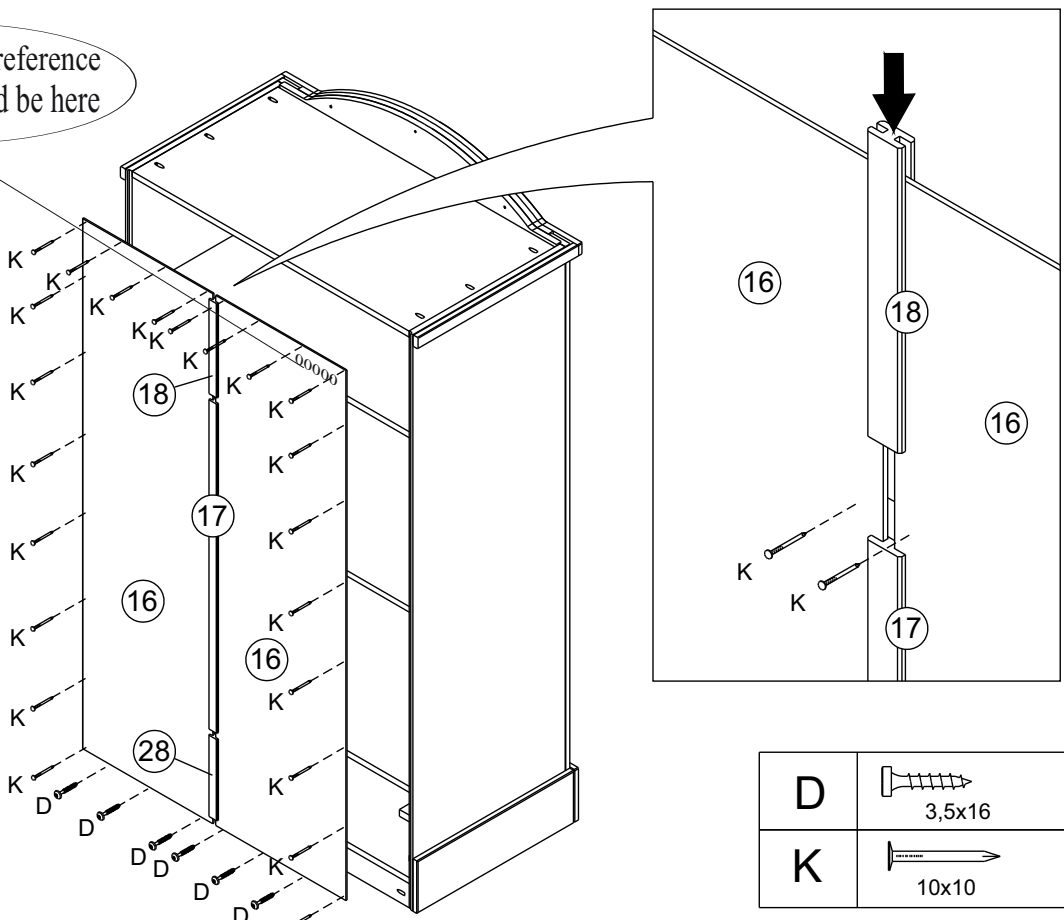
08

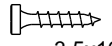
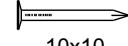


B	 3,5x30	02
---	--	----

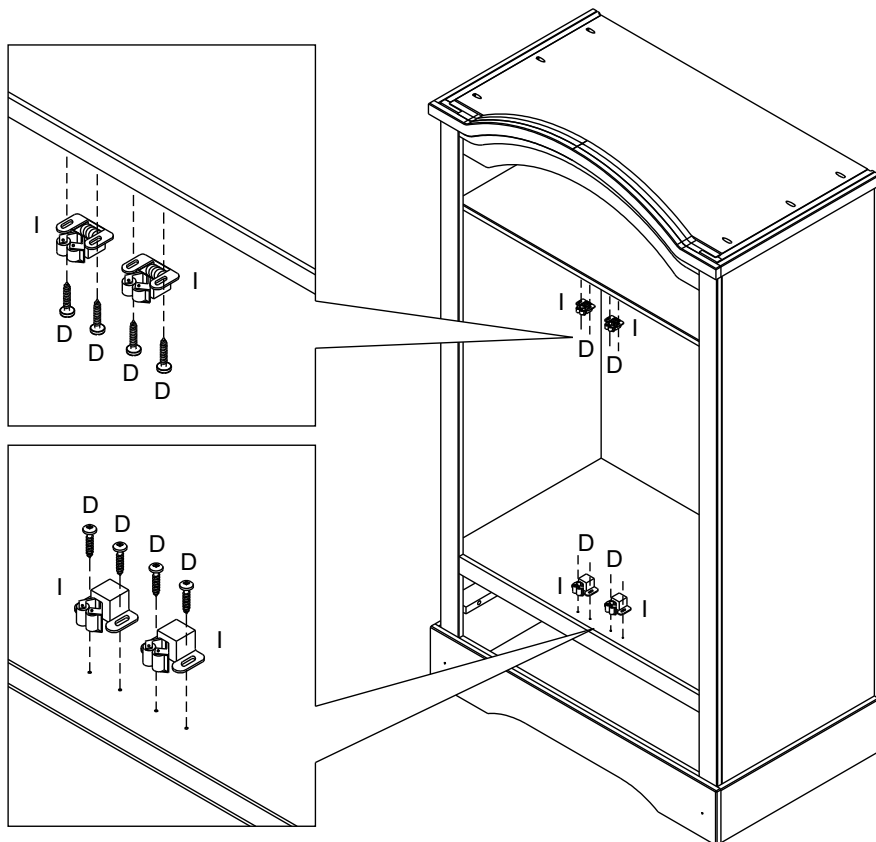
09

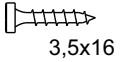
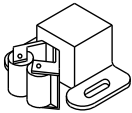
* For your future reference SPD Number should be here



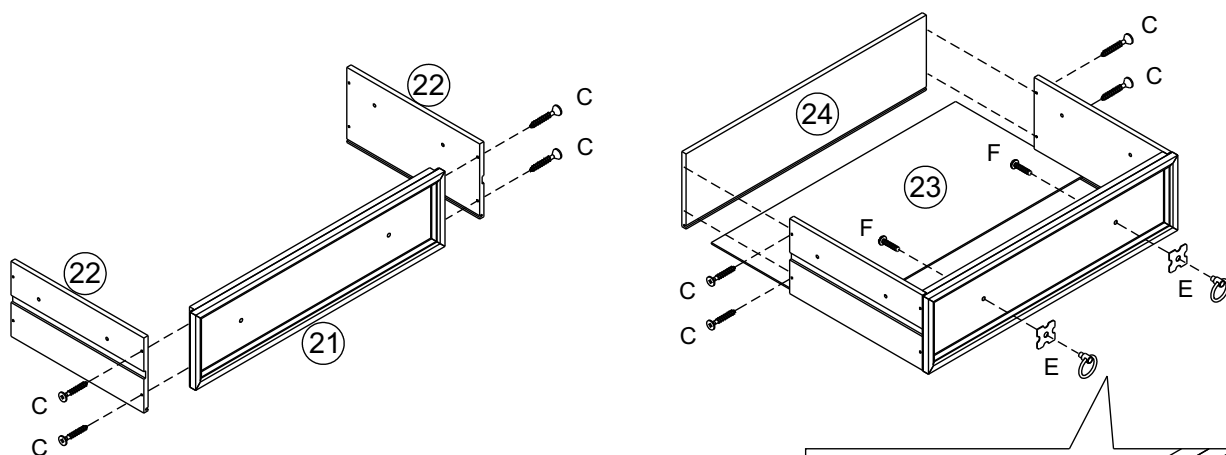
D	 3,5x16	06
K	 10x10	26

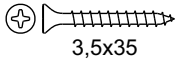


10

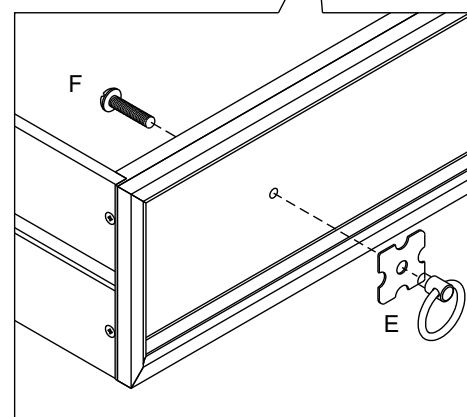


D	 3,5x16	08
I		04

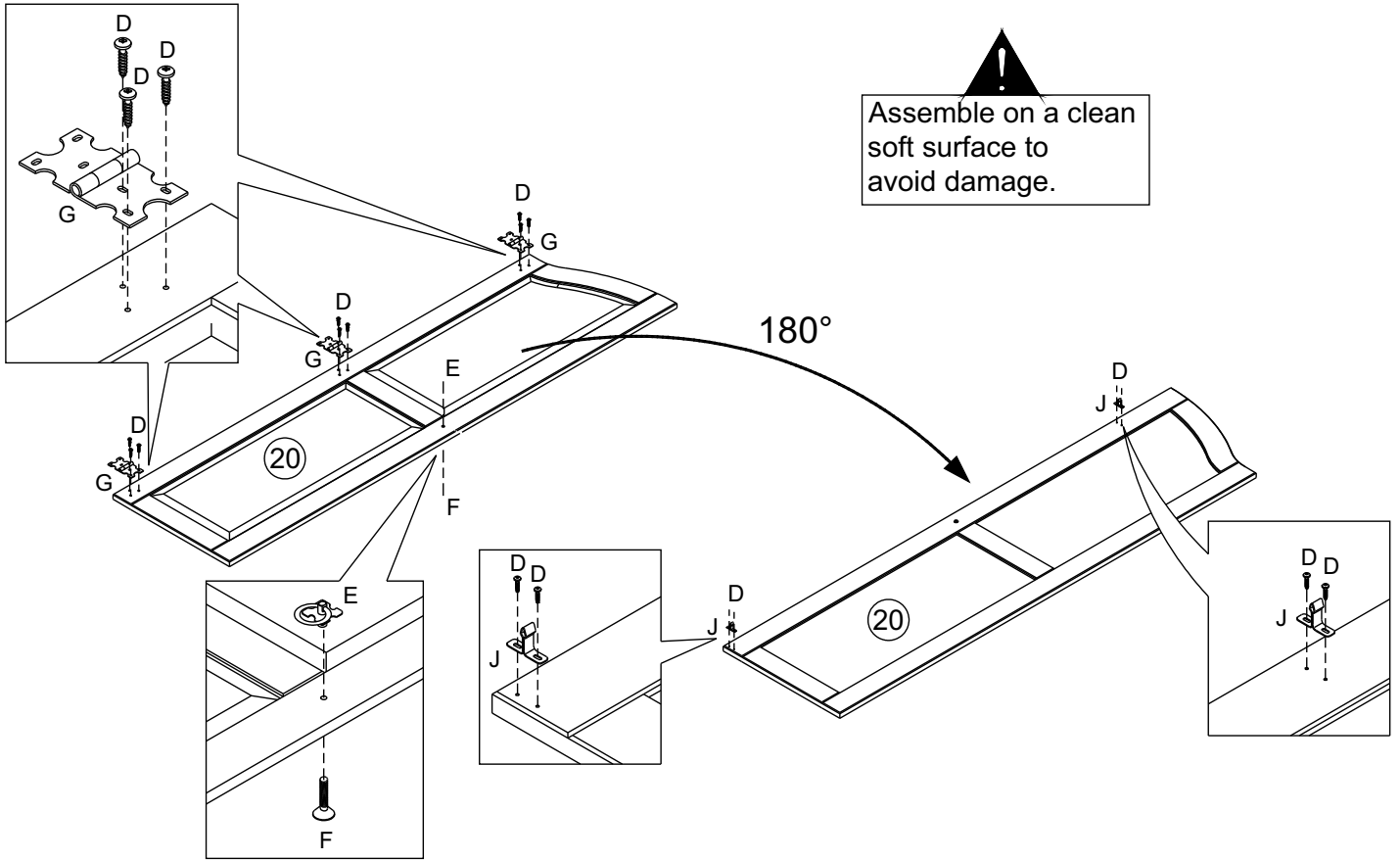
11






C	 3,5x35	08
E		02
F		02

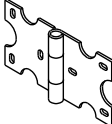




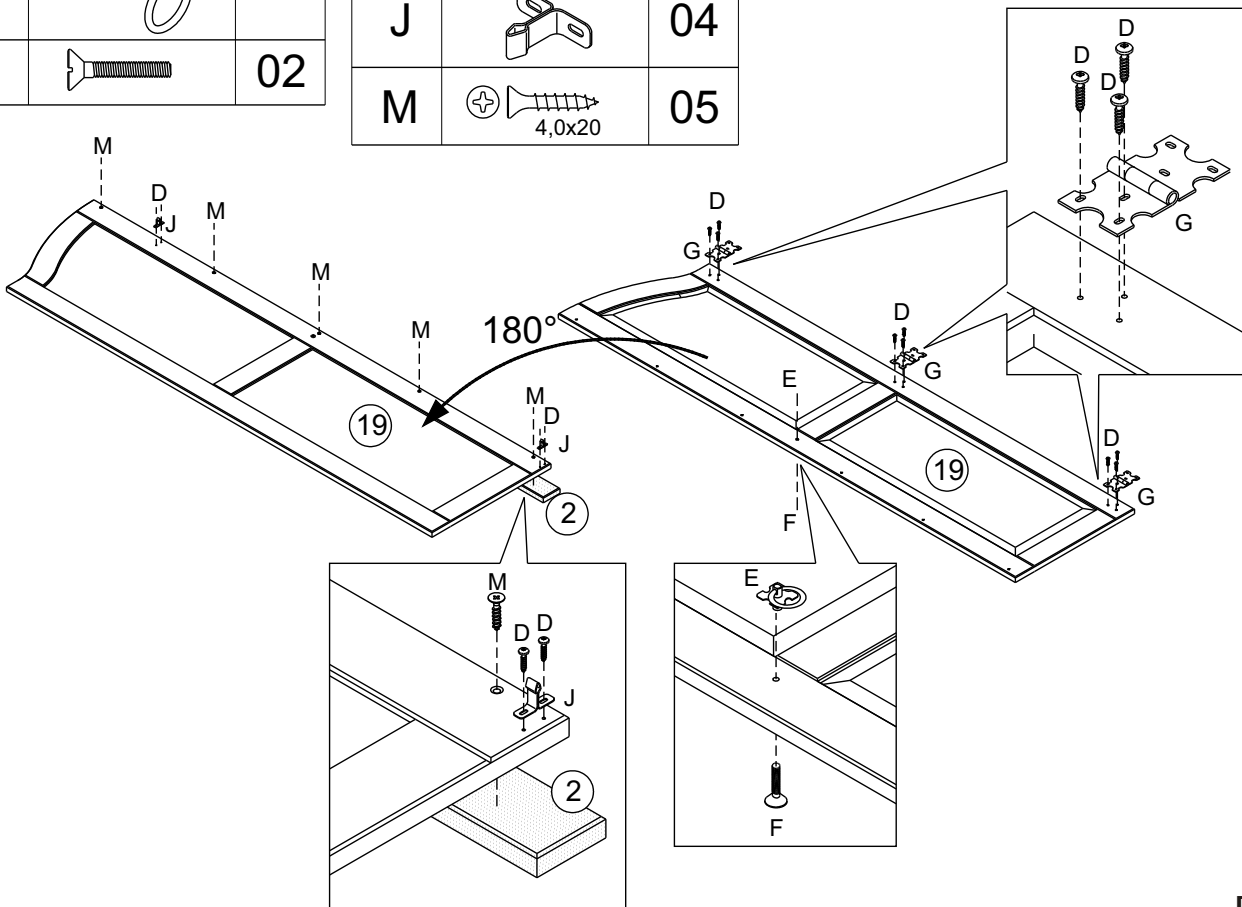
12



!
Assemble on a clean soft surface to avoid damage.

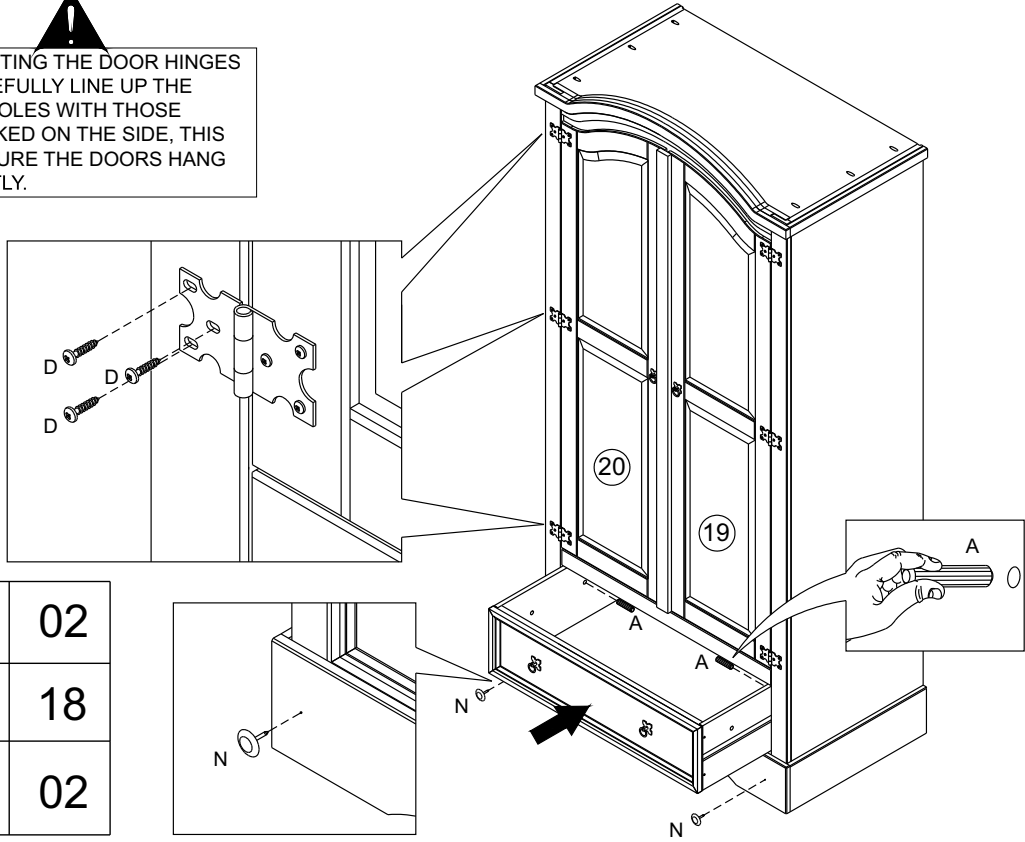
D	 3,5x16	26
E		02
F		02

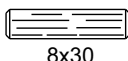
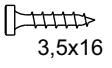

G		06
J		04
M	 4,0x20	05



13

!
 WHEN FITTING THE DOOR HINGES (G) CAREFULLY LINE UP THE SCREW HOLES WITH THOSE PRE-MARKED ON THE SIDE, THIS WILL ENSURE THE DOORS HANG CORRECTLY.



A	 8x30	02
D	 3,5x16	18
N		02


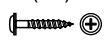

WARNING

Serious or fatal injuries can occur from furniture tipping over. To prevent the furniture from tipping over we recommend that it is permanently fixed to the wall.

Wall fixings are not supplied with this product as different wall materials require different types of fixing devices.

Please make sure you use fixings suitable for the walls in your home.

P-HARDWARE LIST

-  Strap (Anti-Tip Kit) (1x)
-  Wood Screw (Anti-Tip Kit) 3,5 x 25mm (1x)
-  Washer (Anti-Tip Kit) (2x)

