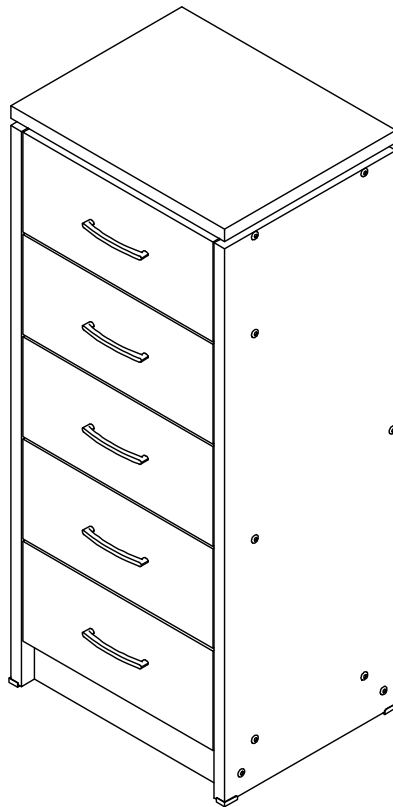


CHARLES 5 DRAWER NARROW CHEST ASSEMBLY INSTRUCTIONS



FOR DOMESTIC USE ONLY

IMPORTANT

PLEASE READ BEFORE YOU CONTINUE FURTHER

THE PRODUCT YOU HAVE PURCHASED WILL GIVE YOU MANY YEARS OF SERVICE IF YOU FOLLOW THE GUIDELINES FOR ITS SAFE ASSEMBLY AND PERIODIC MAINTENANCE AND CLEANING.

ASSEMBLE ON A SOFT CLEAN SURFACE.

DO NOT USE ANY TOOLS OTHER THAN THOSE SHOWN.

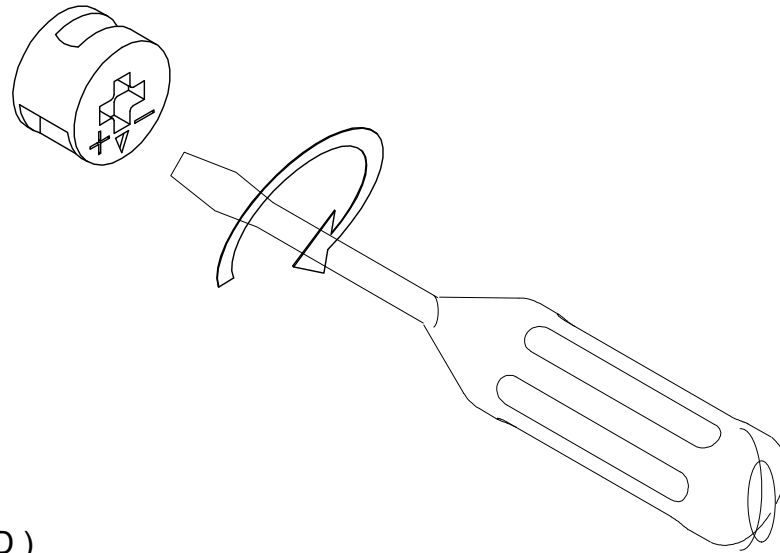
ANY SPANNERS OR ALLEN KEYS REQUIRED ARE INCLUDED WITH THE FITTINGS KIT.

DO NOT FOR ANY REASON USE A POWER TOOL TO ASSEMBLE THIS PRODUCT. ITS USE WILL INVALIDATE ANY CLAIM YOU MAY HAVE AND COULD MAKE THIS PRODUCT UNSAFE.

DEPENDING ON THE AMOUNT OF USE THIS PRODUCT RECEIVES IT MAY BE NECESSARY TO TIGHTEN UP THE FIXINGS FROM TIME TO TIME. THIS IS COMPLETELY NORMAL FOR ANY FLAT PACK FURNITURE. DO NOT OVERTIGHTEN FIXING.

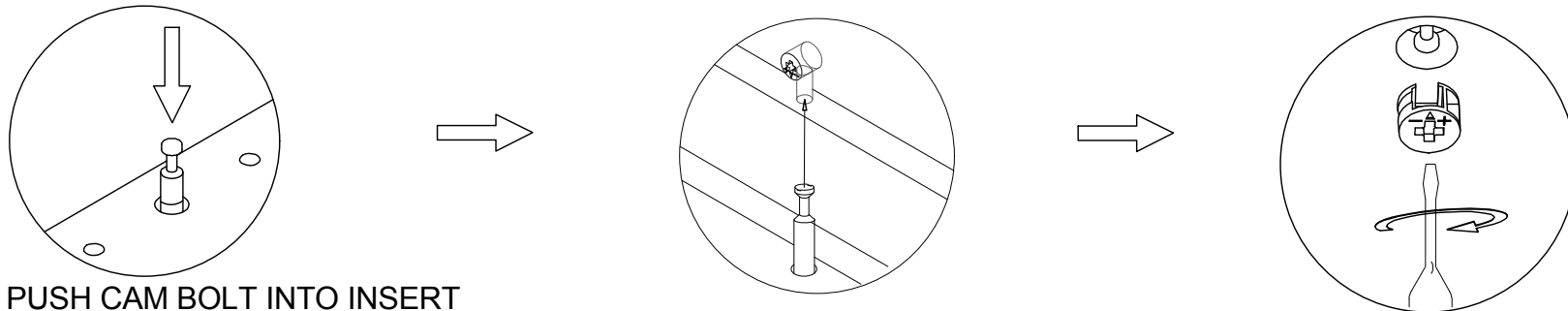
FOR CLEANING, YOU MAY USE A DAMP CLOTH (NOT WET) DO NOT USE POLISH, DETERGENT OR CHEMICAL CLEANERS.

THE SURFACE OF THIS ITEM IS NOT HEAT RESISTANT. ALWAYS USE A PLACE MAT UNDER HOT OR COLD ITEMS TO PREVENT MARKING.



(SCREWDRIVER NOT PROVIDED)

USE A FLAT HEAD SCREWDRIVER TO TIGHTEN THE CAM NUTS. A QUARTER TURN CLOCKWISE IS ALL THAT IS NEEDED.



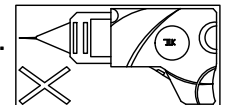
STEP 1 - PUSH CAM BOLT INTO INSERT

STEP 2 - ALIGN THE CAM BOLT WITH THE HOLE AND PUSH TOGETHER UNTIL FLUSH. (MAKE SURE THE ARROW OF CAM LOCK IS POINTING TOWARD THE HOLE ON EDGE OF PANEL.)

STEP 3 - THE HEAD OF THE BOLT GOES INTO THE WIDE MOUTH OF THE CAM LOCK. YOU THEN TURN THE LOCK SO THE NARROW PART CLOSES OVER THE BOLT.

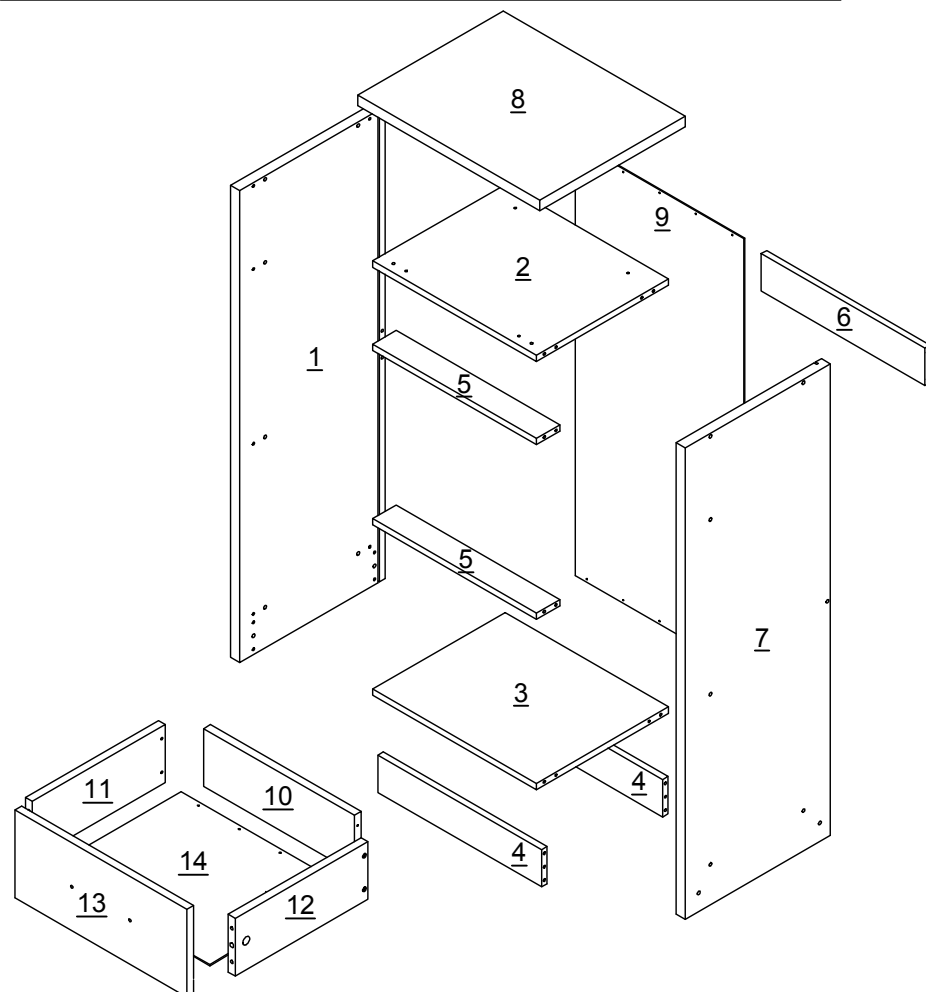


CAUTION : THE USE OF POWER TOOLS TO ASSEMBLE THIS PRODUCT WILL INVALIDATE. ANY CLAIM AND MAY DAMAGE THIS PRODUCT MAKING IT UNSAFE.



PARTS LIST

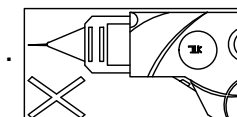
PLEASE CHECK THAT YOU HAVE ALL THE PARTS LISTED BEFORE YOU START ASSEMBLING. IF YOU DO FIND THAT SOMETHING IS MISSING, DO NOT CONTINUE ASSEMBLY, PLEASE CONTACT YOUR SUPPLIER IMMEDIATELY.




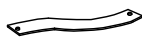
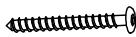

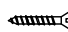
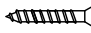


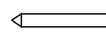



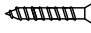

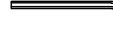
PARTS LIST

1	LEFT SIDE PANEL	1 PC
2	INNER TOP PANEL	1 PC
3	BASE PANEL	1 PC
4	LOWER BASE CROSSBARS	2 PCS
5	FRONT CROSSBARS	2 PCS
6	CENTRE BACK CROSSBAR	1 PC
7	RIGHT SIDE PANEL	1 PC
8	TOP PANEL	1 PC
9	BACK PANEL	1 PC
10	DRAWER BACK	5 PCS
11	DRAWER SIDE - LEFT	5 PCS
12	DRAWER SIDE - RIGHT	5 PCS
13	DRAWER FRONT	5 PCS
14	DRAWER BASE	5 PCS

! CAUTION: THE USE OF POWER TOOLS TO ASSEMBLE THIS PRODUCT WILL INVALIDATE. ANY CLAIM AND MAY DAMAGE THIS PRODUCT MAKING IT UNSAFE.

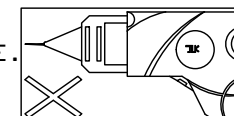


HARDWARE LIST

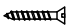

A		DOWEL 6 X 30MM	46 PCS	N		ANTI - TIP STRAP	2 PCS
B		BOLT M7 X 60MM	18 PCS	O		SCREW M4 X 16MM	2 PCS
C		SCREW M3.5 X 16MM	74 PCS				
D		SCREW M4 X 30MM	4 PCS				
E		SCREW M4 X 38MM	20 PCS				
F		CAM BOLT + CAM NUT	10 SETS				
G		TACK	30 PCS				
H		DRAWER RUNNER A	10 PCS				
I		DRAWER RUNNER B	10 PCS				
J		HANDLE	5 PCS				
K		HANDLE SCREW M4 X 30MM	10 PCS				
L		EDGE PROTECTOR	2 SETS				
M		ALLEN KEY	1 PC				

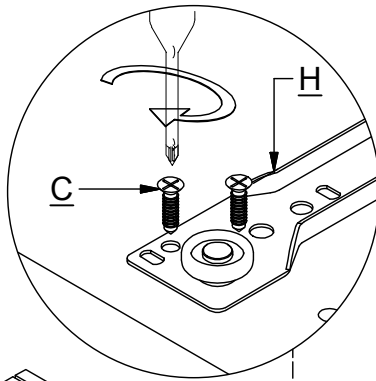


CAUTION : THE USE OF POWER TOOLS TO ASSEMBLE THIS PRODUCT WILL INVALIDATE ANY CLAIM AND MAY DAMAGE THIS PRODUCT MAKING IT UNSAFE.

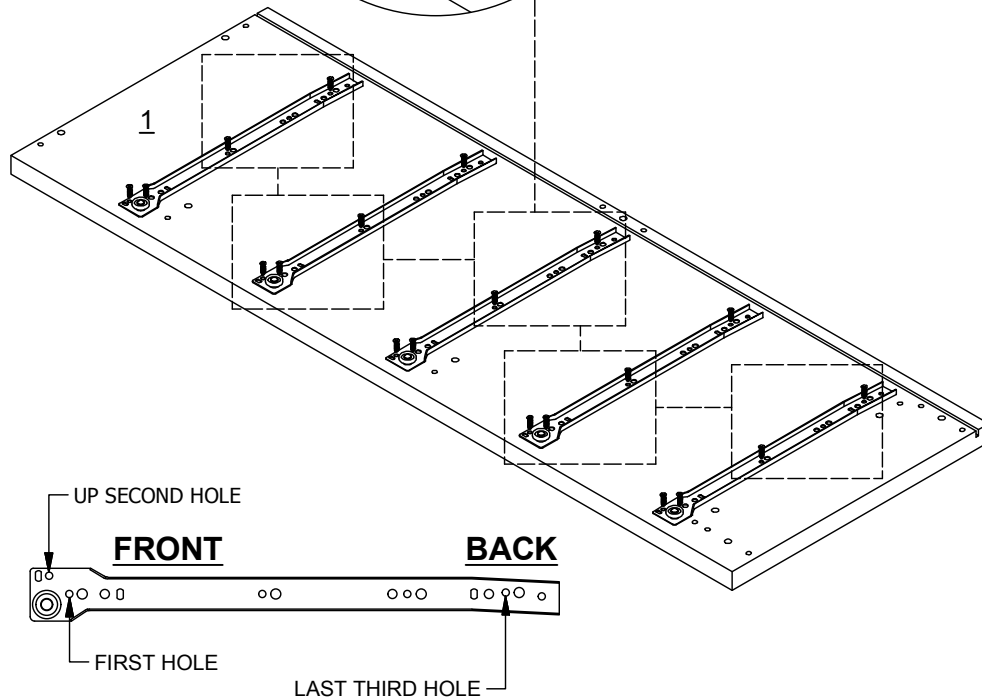


STEP 1

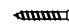

YOU WILL NEED:-		
C		20 PCS
H		5 PCS

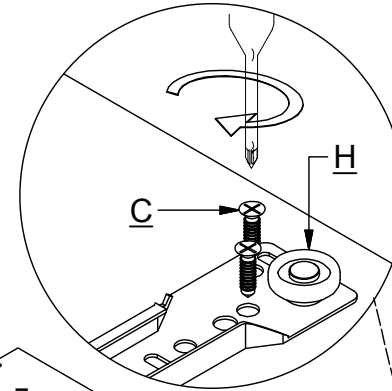


SCREW MUST BE INSERTED IN THE FIRST HOLE ON THE DRAWER RUNNER.

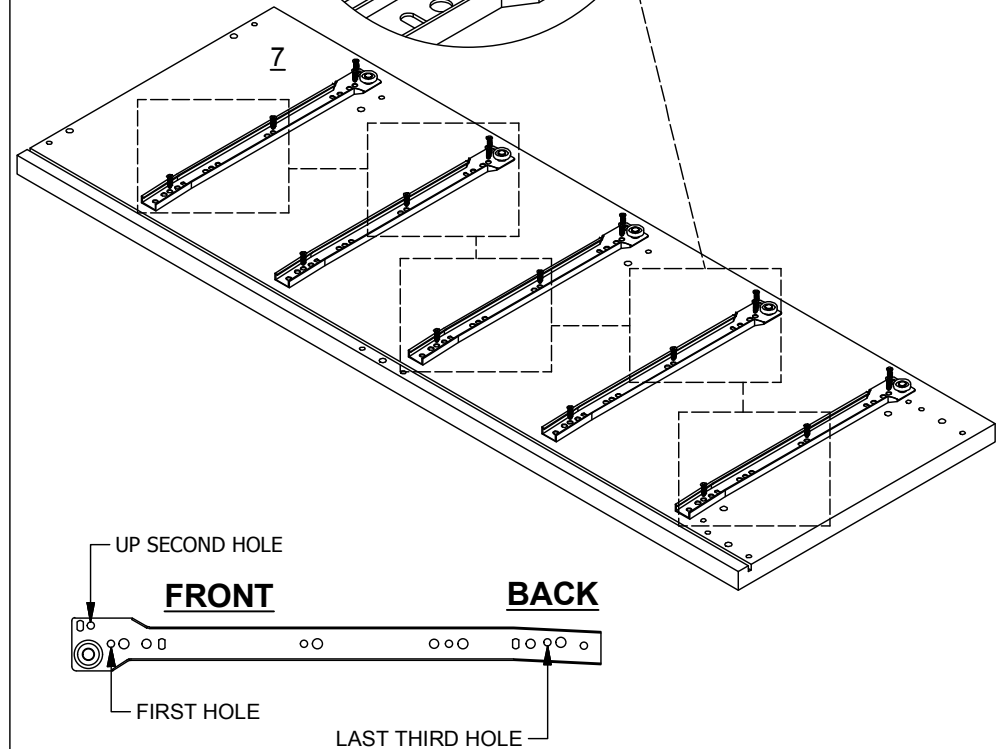


STEP 2

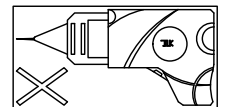
YOU WILL NEED:-		
C		20 PCS
H		5 PCS



SCREW MUST BE INSERTED IN THE FIRST HOLE ON THE DRAWER RUNNER.



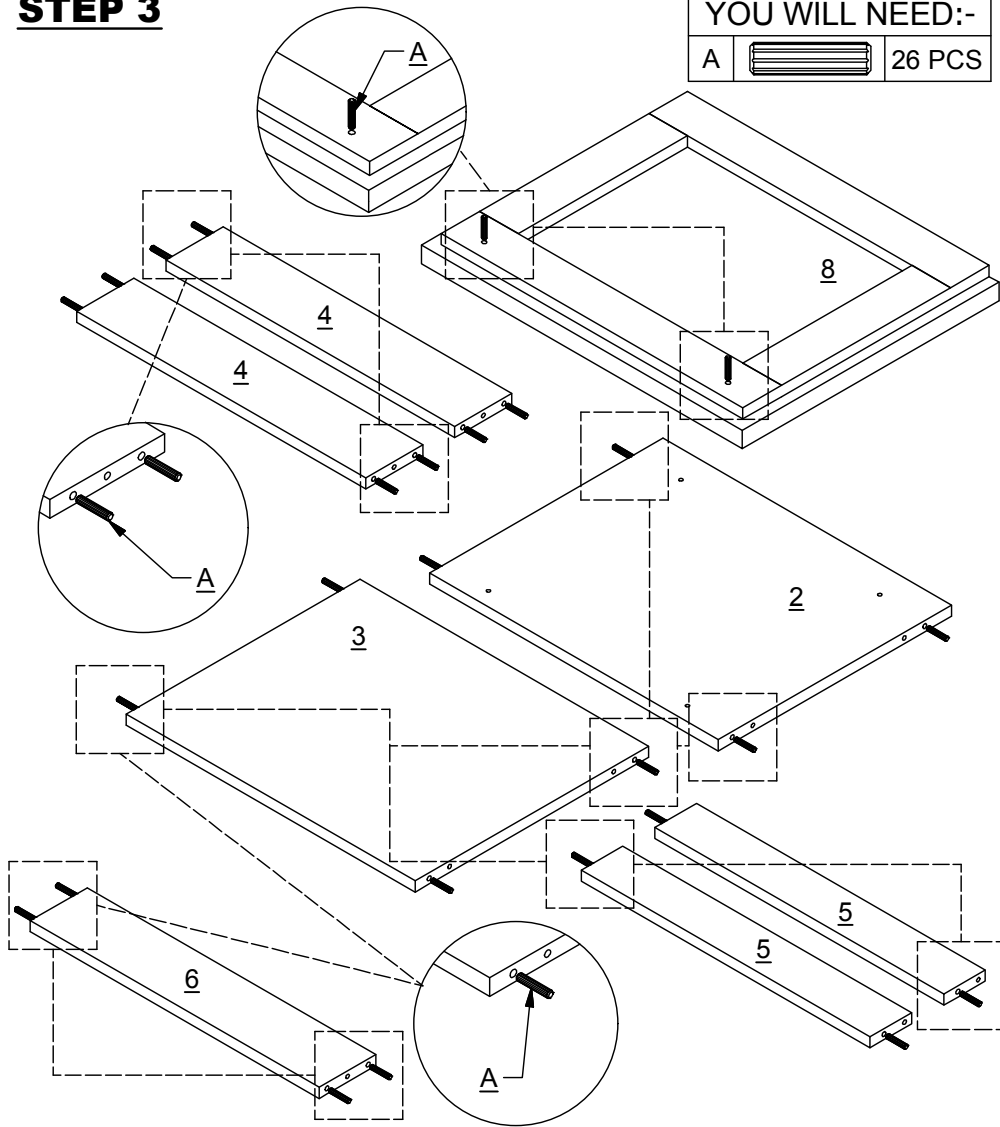
CAUTION: THE USE OF POWER TOOLS TO ASSEMBLE THIS PRODUCT WILL INVALIDATE. ANY CLAIM AND MAY DAMAGE THIS PRODUCT MAKING IT UNSAFE.



STEP 3

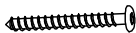

YOU WILL NEED:-

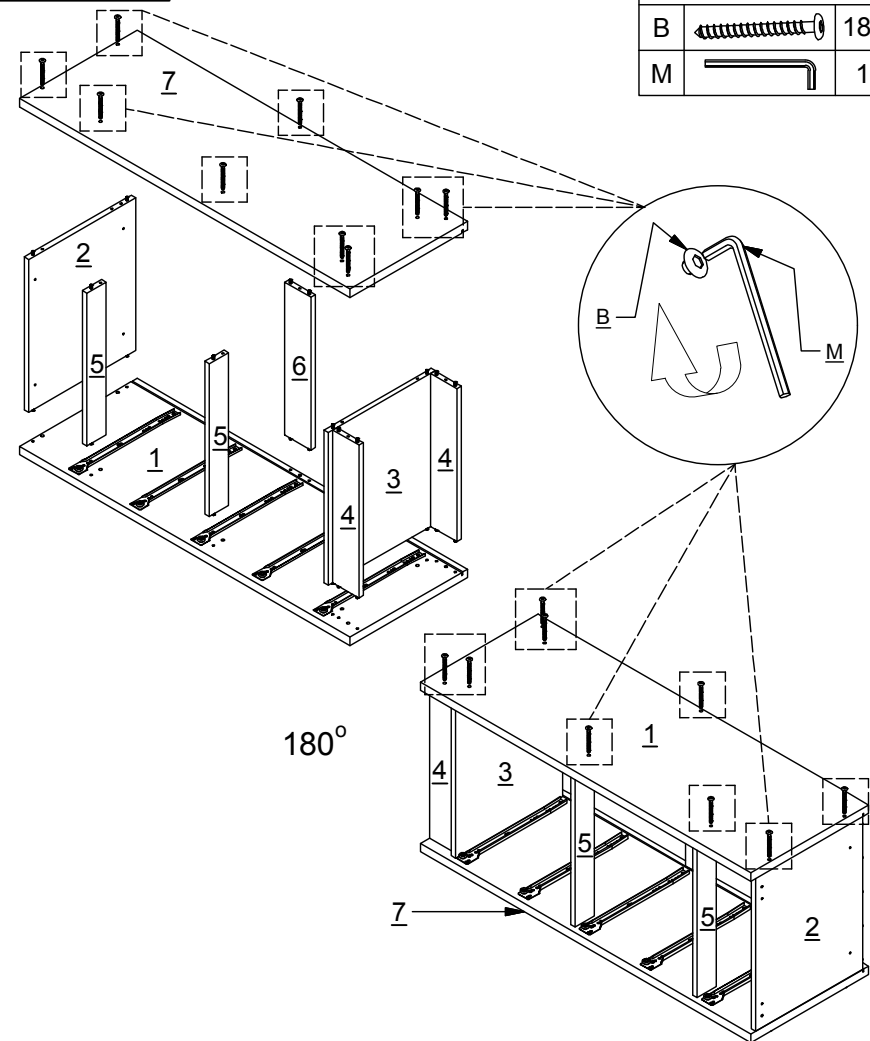
A		26 PCS
---	---	--------



STEP 4.1

YOU WILL NEED:-

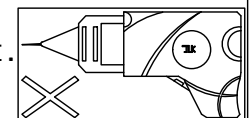
B		18 PCS
M		1 PC



STEP 4.2



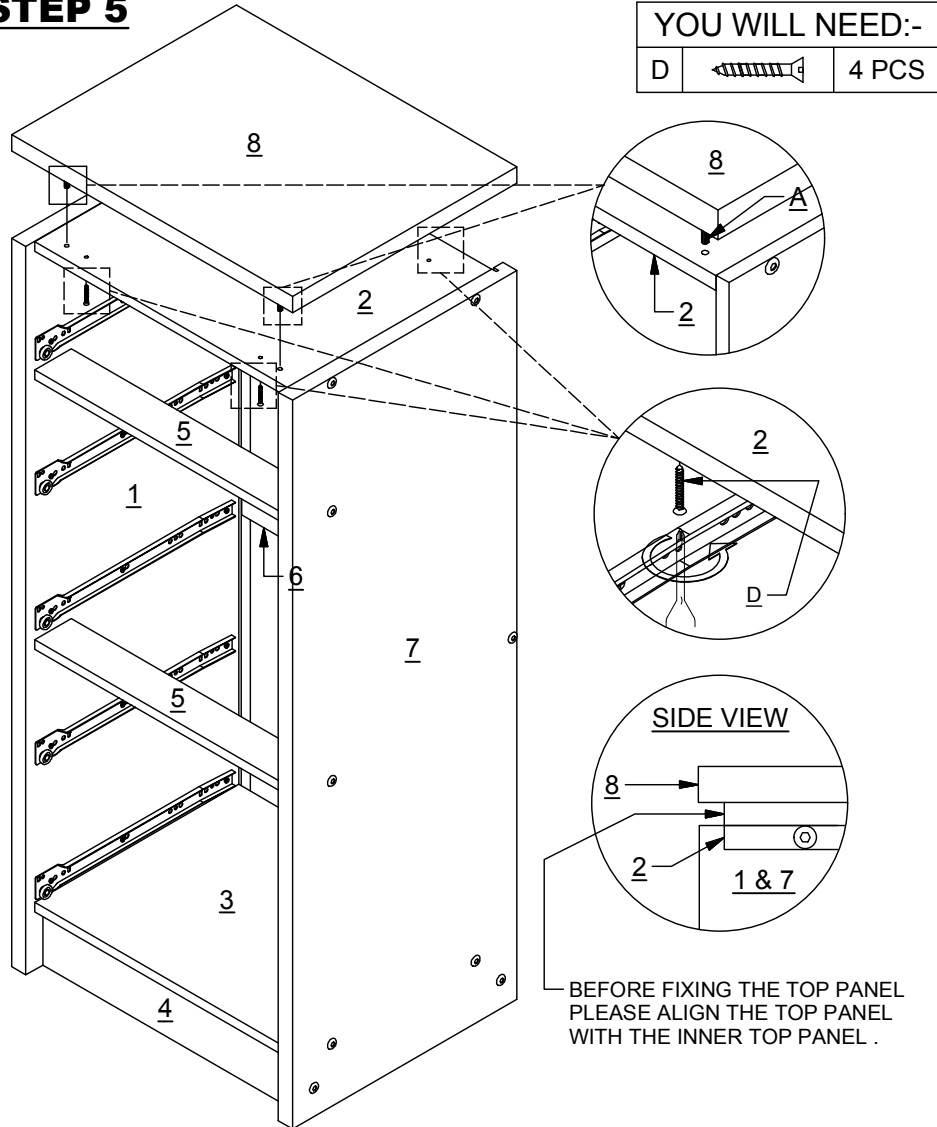
CAUTION: THE USE OF POWER TOOLS TO ASSEMBLE THIS PRODUCT WILL INVALIDATE ANY CLAIM AND MAY DAMAGE THIS PRODUCT MAKING IT UNSAFE.



STEP 5

YOU WILL NEED:-

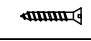
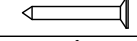

D		4 PCS
---	---	-------

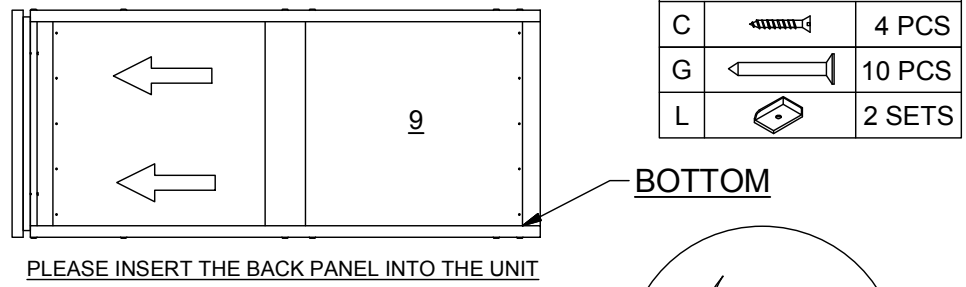


BEFORE FIXING THE TOP PANEL
PLEASE ALIGN THE TOP PANEL
WITH THE INNER TOP PANEL .

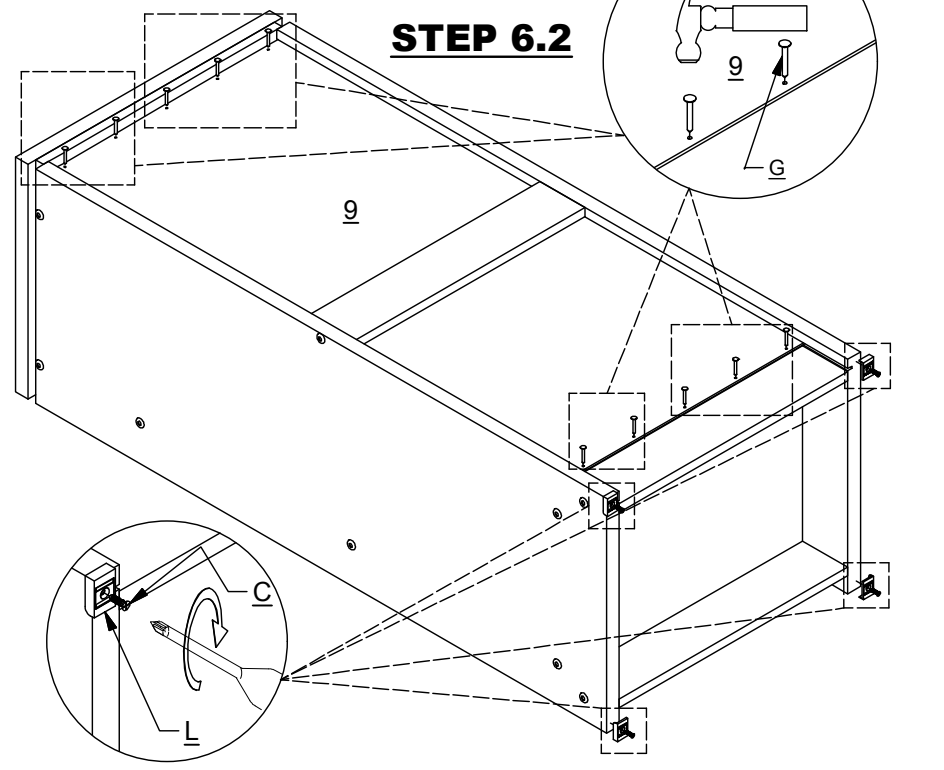
STEP 6.1

YOU WILL NEED:-

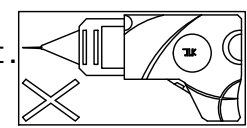
C		4 PCS
G		10 PCS
L		2 SETS



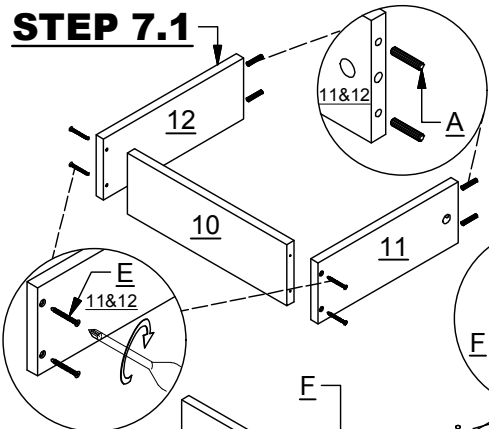
STEP 6.2



CAUTION: THE USE OF POWER TOOLS TO ASSEMBLE THIS PRODUCT WILL INVALIDATE ANY CLAIM AND MAY DAMAGE THIS PRODUCT MAKING IT UNSAFE.



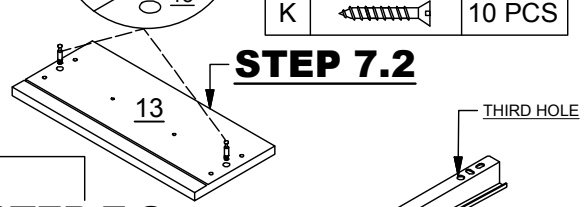
STEP 7.1



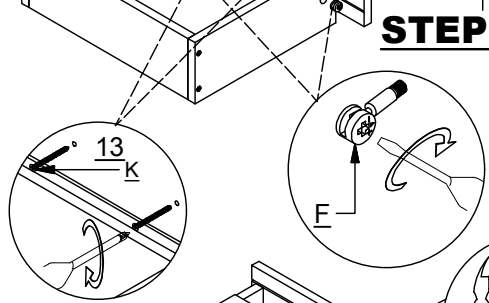
YOU WILL NEED:-

A		20 PCS
C		30 PCS
E		20 PCS
F		10 SETS
G		20 PCS
I		10 PCS
J		5 PCS
K		10 PCS

STEP 7.2

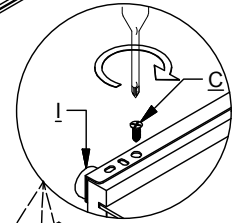


STEP 7.3

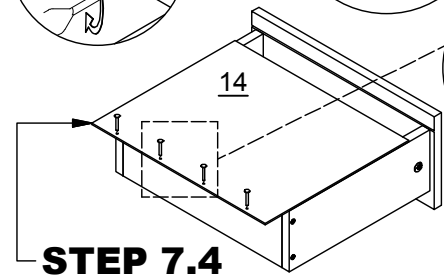


BACK

FRONT



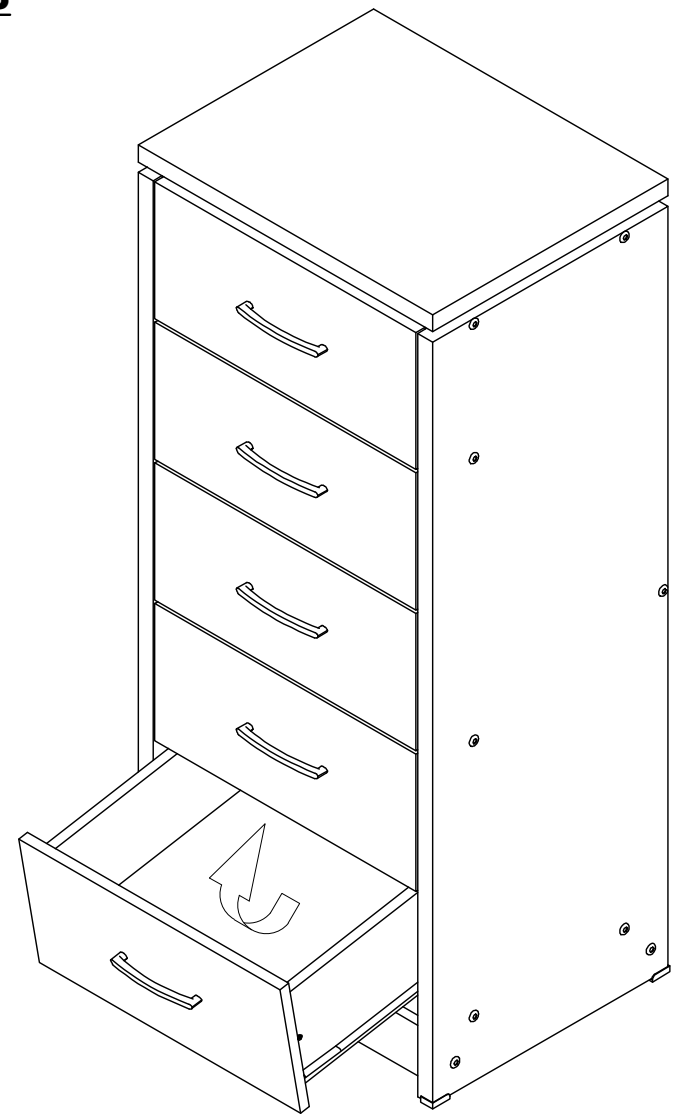
STEP 7.5



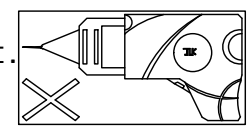
STEP 7.4

5 X DRAWERS

STEP 8



CAUTION: THE USE OF POWER TOOLS TO ASSEMBLE THIS PRODUCT WILL INVALIDATE ANY CLAIM AND MAY DAMAGE THIS PRODUCT MAKING IT UNSAFE.



WARNING

Serious or fatal injuries can occur from furniture tipping over. To prevent the furniture from tipping over we recommend that it is permanently fixed to the wall.

Wall fixings are not supplied with this product as different wall materials require different types of fixing devices. Please make sure you use fixings suitable for the walls in your home.

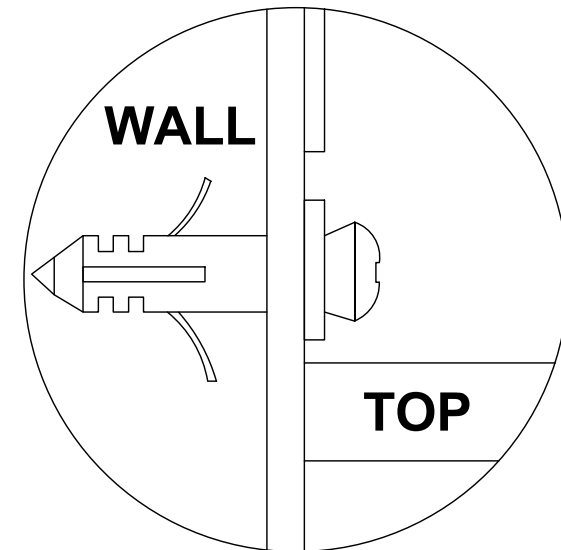
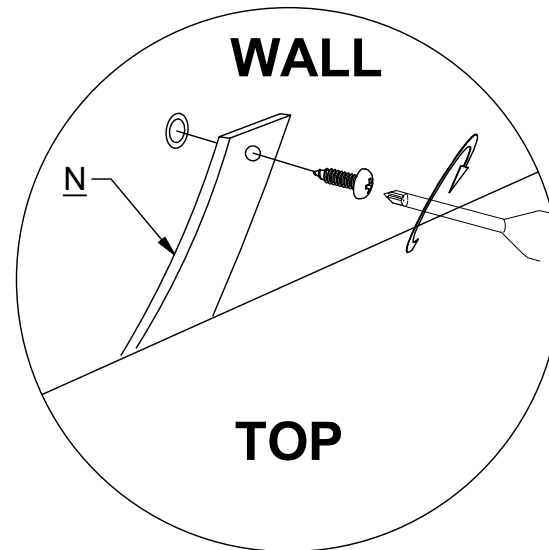
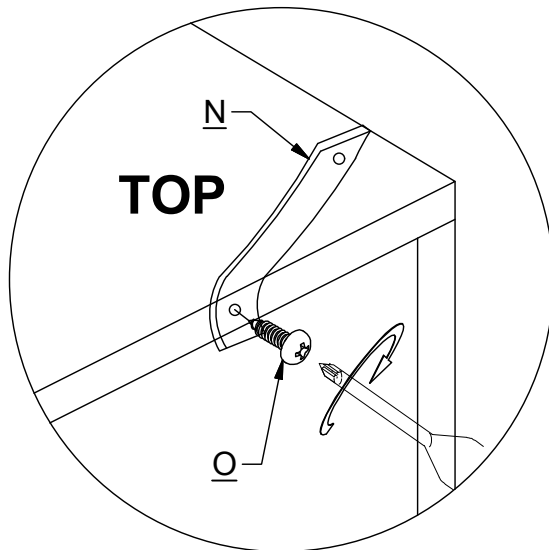
HARDWARE LIST



(N) Anti-Tip Strap - 2 pc



(O) M4 X 16MM - 2 pc



CAUTION: THE USE OF POWER TOOLS TO ASSEMBLE THIS PRODUCT WILL INVALIDATE. ANY CLAIM AND MAY DAMAGE THIS PRODUCT MAKING IT UNSAFE.

